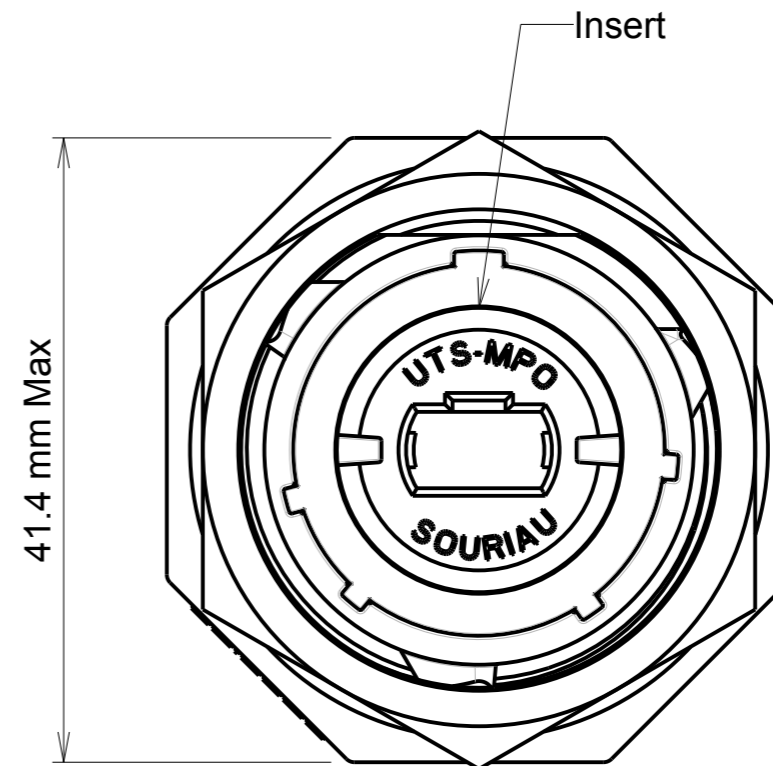
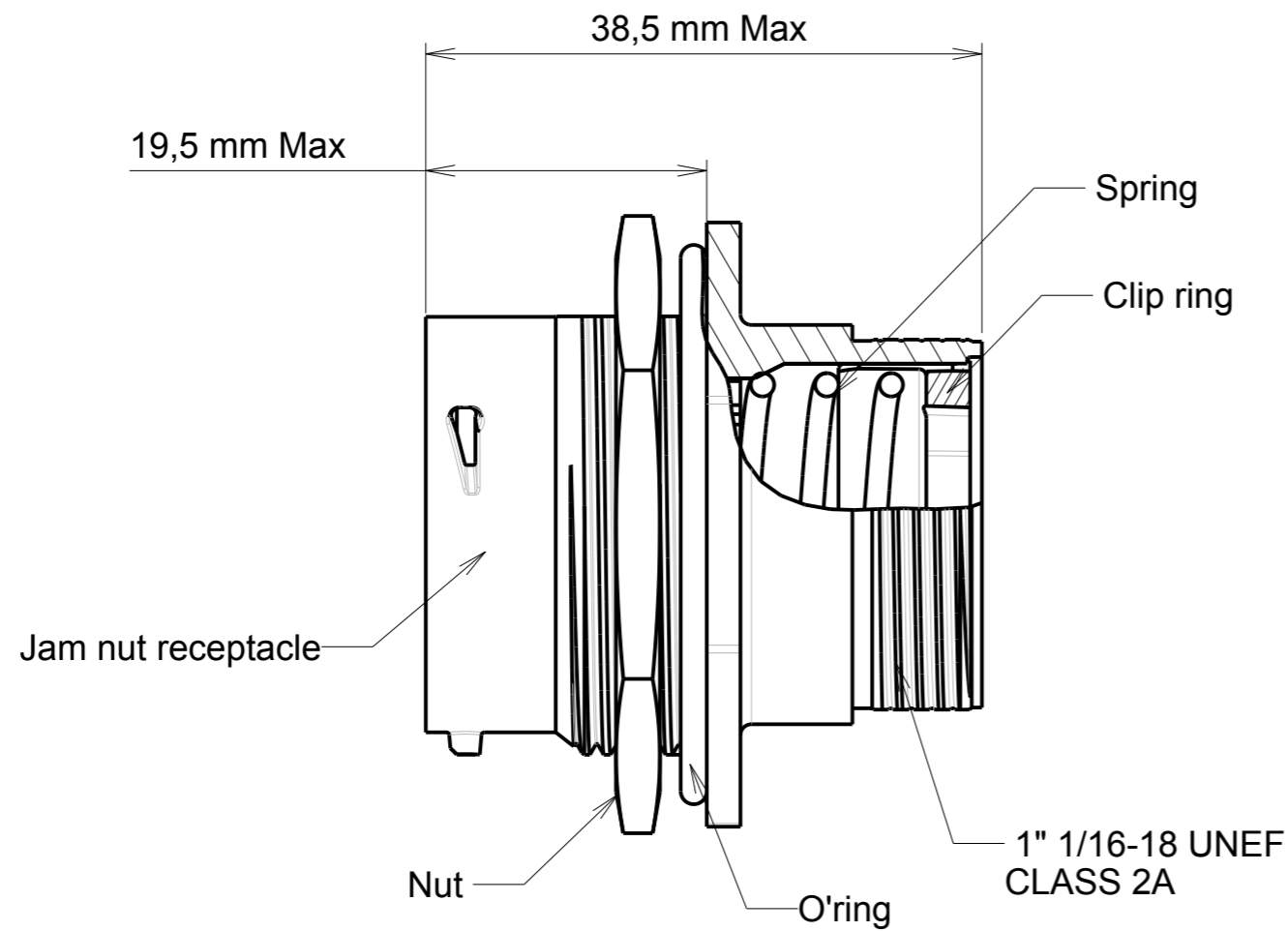


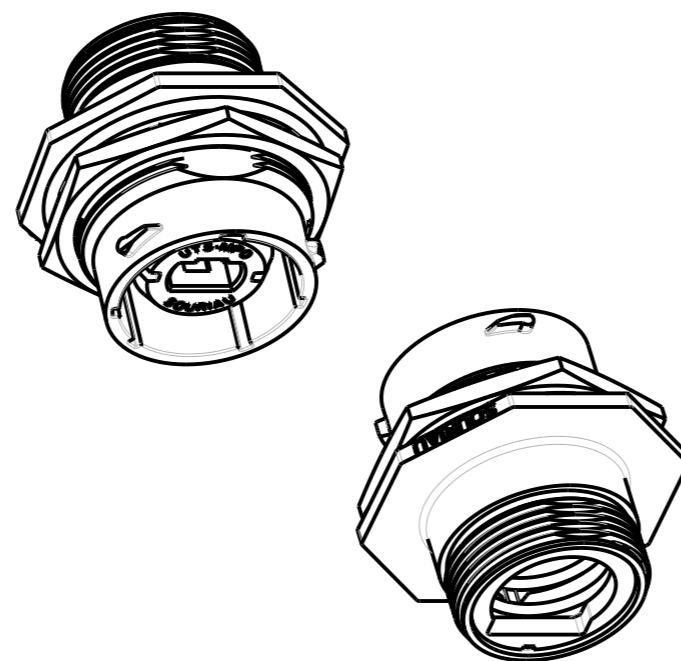
H G F E D C B A

b ; 2 ; IW



PACKAGING :
1 mounted receptacle per plastic bag

MATERIAL :
Jam nut receptacle : Plastic
Insert : Plastic
Clip Ring : Plastic
Spring : Stainless steel
Nut : ROHS Aluminum alloy
O'ring : Silicone



P/N		UTS718MPN		
b	06/03/14	Reworking of the UTS LC MPO (standard version) folder : Distribution 23434		23434
ISS	DATE	Latest modification - by: M.SORLIN		MOD N°
Designed by: B.MONCELET		Date: 13/11/12	Type of drawing: CUSTOMER	
Checked by: SEE DISTRIBUTION LIST		Date: SEE DISTRIBUTION LIST		
TITLE		Jam nut receptacle size 18 with integrated MPO feedthrough adaptor / Unitbox		
Scale	General angular	MATERIAL --		
2/1	Tolerances: ± 1°	--		
	General linear Tolerances : ±0.1	General machining surface texture	Geometrical Tolerances See NF EN ISO 1101	PROJECT IC123611
SOURIAU		SOURIAU Route Nationale 23 72470 CHAMPAGNE Tel. (33)02.43.54.35.00		This document is the property of SOURIAU It must not be reproduced or communicated without permission
FORMAT	DRAWING REFERENCE			SHEET
A3	UTS718MPN-C01			1 / 1

H G F E D C B A