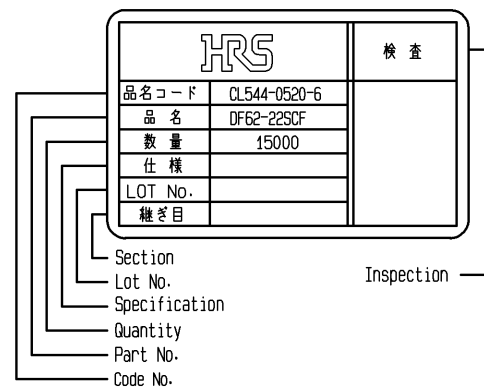


Detail of part No. Label



- NOTE 1. 1RL:15000 CONTACTS.  
 2. STYLE OF REEL AND BOX ARE SHOWN IN FIGURE.  
 3. A MAXIMUM OF 5 REELS ARE PACKED UP IN ONE BOX.  
 4. PLEASE BE SURE TO CHECK THE FORM OF CRIMPING USING A CABLE. WHEN YOU ADJUST APPLICATOR.  
 5. THE DIMENSIONS IN PARENTHESIS ARE FOR REFERENCE.

NO.	MATERIAL	FINISH . REMARKS	NO.	MATERIAL	FINISH . REMARKS
			1	PHOSPHOR BRONZE	TIN PLATING 1 μm MIN
UNITS mm		SCALE 10 : 1	DESCRIPTION OF REVISIONS		
			DESIGNED	CHECKED	DATE
APPROVED : KI. AKIYAMA			14. 04. 26	DRAWING NO. EDC3-344681-00	
CHECKED : KI. AKIYAMA			14. 04. 26	PART NO. DF62-22SCF	
DESIGNED : TS. KUMAZAWA			14. 04. 25	CODE NO. CL544-0520-6-00	
DRAWN : TS. KUMAZAWA			14. 04. 25	1/1	