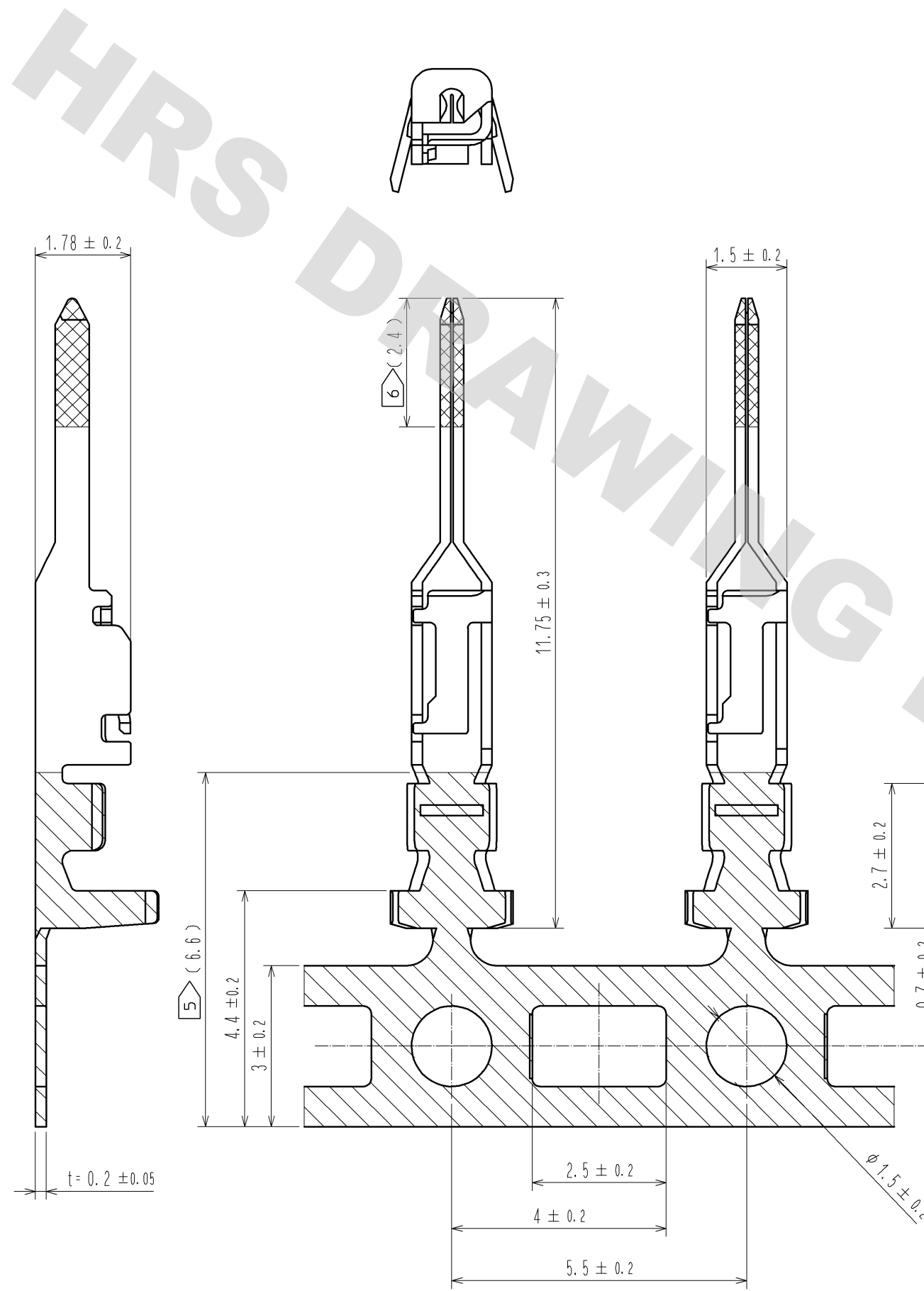
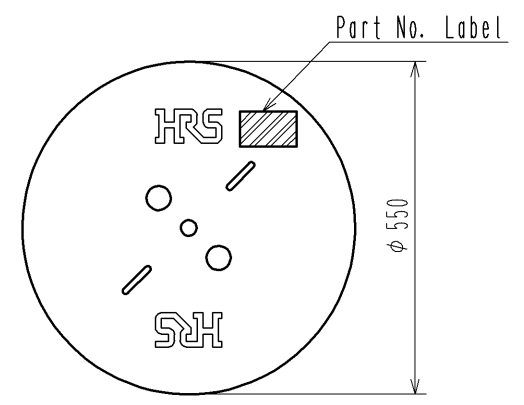


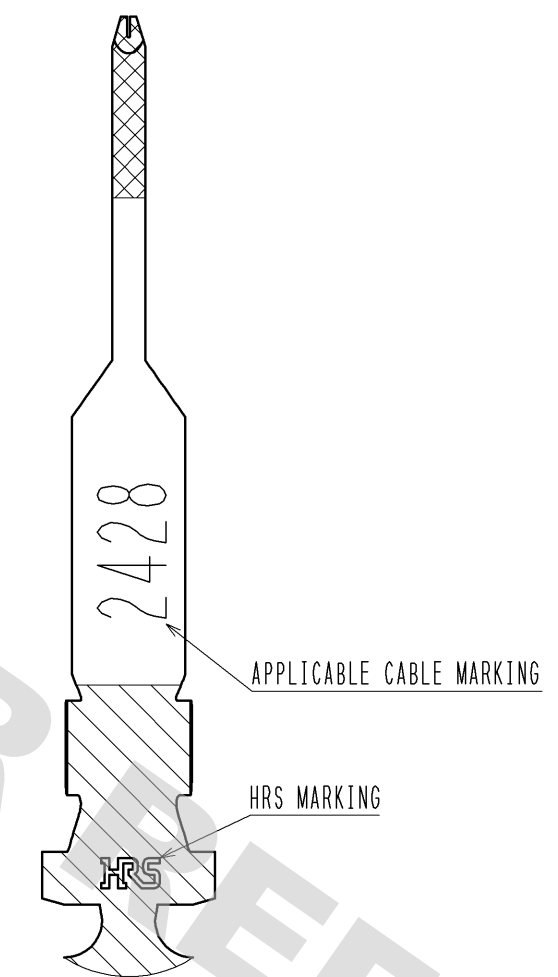
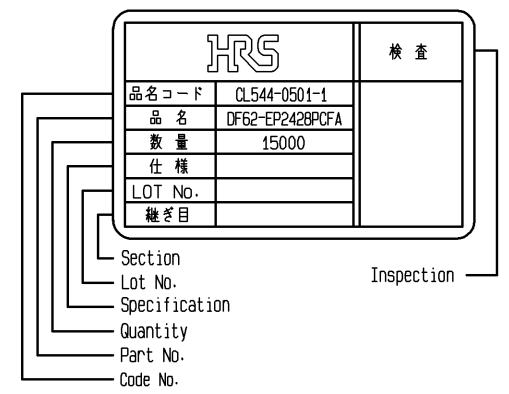
DRAWING FOR REFERENCE: This is subject to change without notice
08/11/2012



2 STYLE AND DIMENSION OF REEL



Detail of part No. Label



- NOTE 1. 1RL:15000 CONTACTS.
 2. STYLE OF REEL AND BOX ARE SHOWN IN FIGURE.
 3. A MAXIMUM OF 5 REELS ARE PACKED UP IN ONE BOX.
 4. PLEASE BE SURE TO CHECK THE FORM OF CRIMPING USING A CABLE. WHEN YOU ADJUST APPLICATOR.
 5. TIN PLATING AREA.
 6. GOLD PLATING AREA.
 7. THE DIMENSIONS IN PARENTHESIS ARE FOR REFERENCE.

NO.	MATERIAL	FINISH . REMARKS	NO.	MATERIAL	FINISH . REMARKS		
			1	PHOSPHOR BRONZE	CONTACT AREA : GOLD PLATING 0.2 μm MIN CARRIER/BARREL AREA : TIN PLATING 1μm MIN OTHERS : NICKEL PLATING 0.5 μm MIN		
UNITS mm		SCALE 10 : 1	COUNT △	DESCRIPTION OF REVISIONS	DESIGNED	CHECKED	DATE
HRS HIROSE ELECTRIC CO., LTD.		APPROVED : KI. AKIYAMA	12. 01. 20	DRAWING NO.	EDC3-339722-00		
		CHECED : MN. KENJO	12. 01. 20	PART NO.	DF62-EP2428PCFA		
		DESIGNED : TO. HORII	12. 01. 20	CODE NO.	CL544-0501-1-00		
		DRAWN : TO. HORII	12. 01. 20				