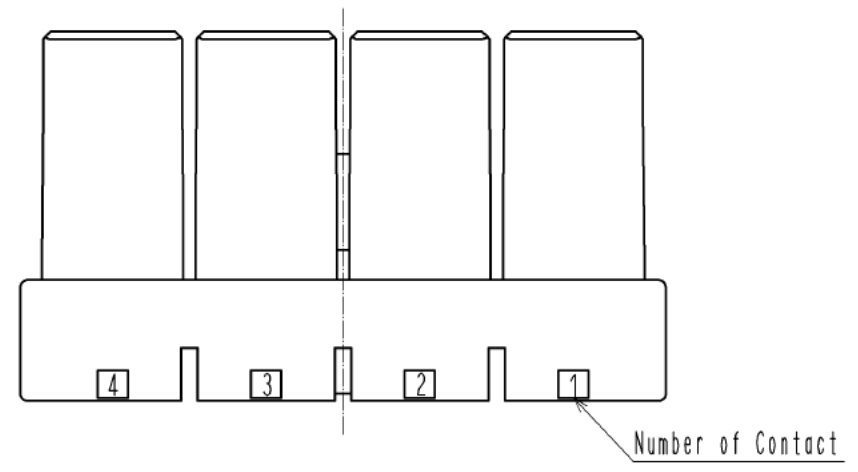
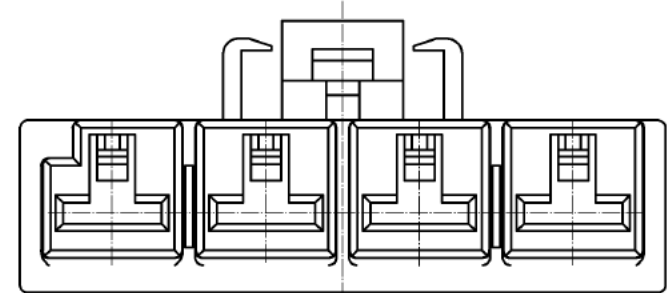
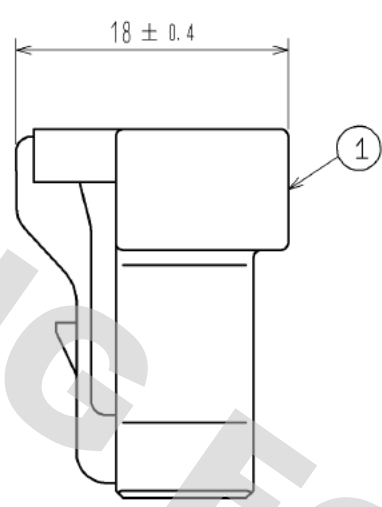
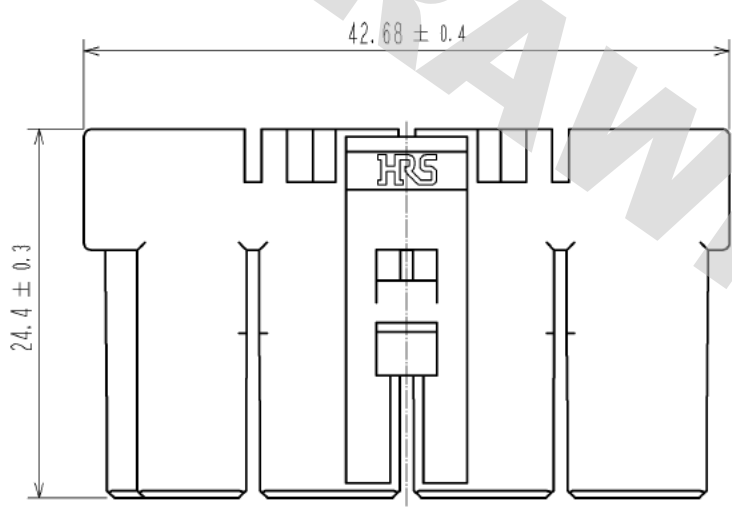
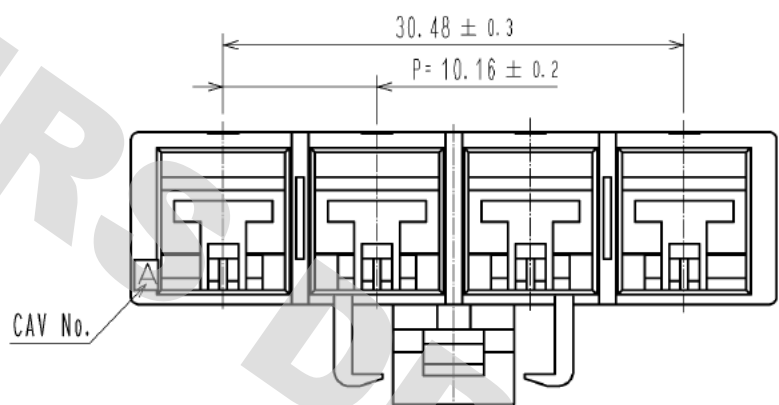


DRAWING FOR REFERENCE: This is subject to change without notice  
05/31/2013



NOTE1. Per Pack : 100 Pieces

NO.	MATERIAL	FINISH . REMARKS	NO.	MATERIAL	FINISH . REMARKS		
1	PBT			Black, UL94-V0			
UNITS	SCALE	COUNT	DESCRIPTION OF REVISIONS		DESIGNED	CHECKED	DATE
mm	2 : 1	△					
<b>HRS</b> HIROSE ELECTRIC CO., LTD.			APPROVED : KI. AKIYAMA	12.05.17	DRAWING NO. EDC3-338980-01		
			CHECED : OM. MIYAMOTO	12.05.17	PART NO. DF60-4S-10.16C		
			DESIGNED : SZ. ONO	12.05.16	CODE NO. CL680-3011-0-00		
			DRAWN : SZ. ONO	12.05.16	△ 1/1		