

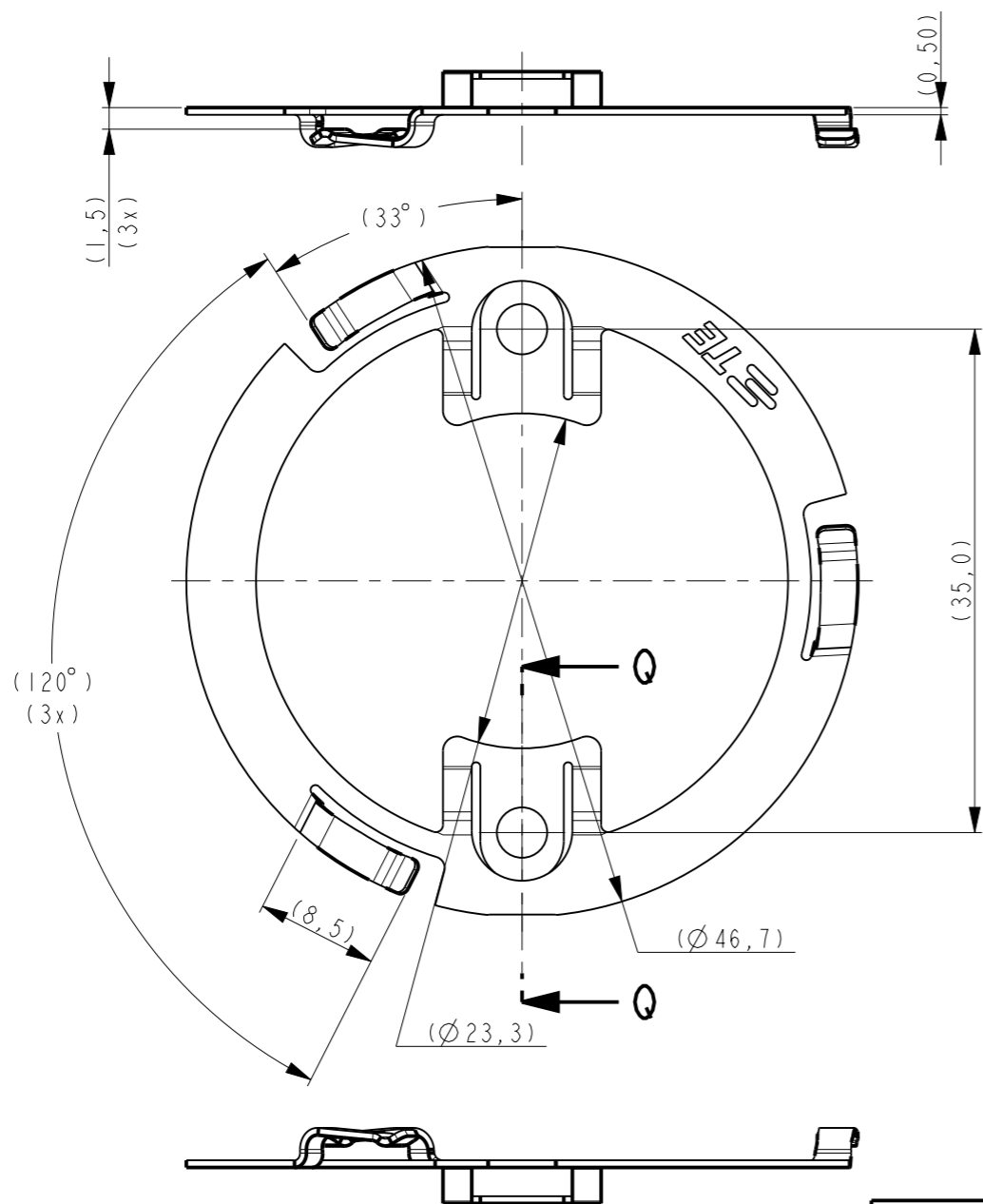
THIS DRAWING IS UNPUBLISHED. RELEASED FOR PUBLICATION

© COPYRIGHT - BY TYCO ELECTRONICS CORPORATION. ALL RIGHTS RESERVED.

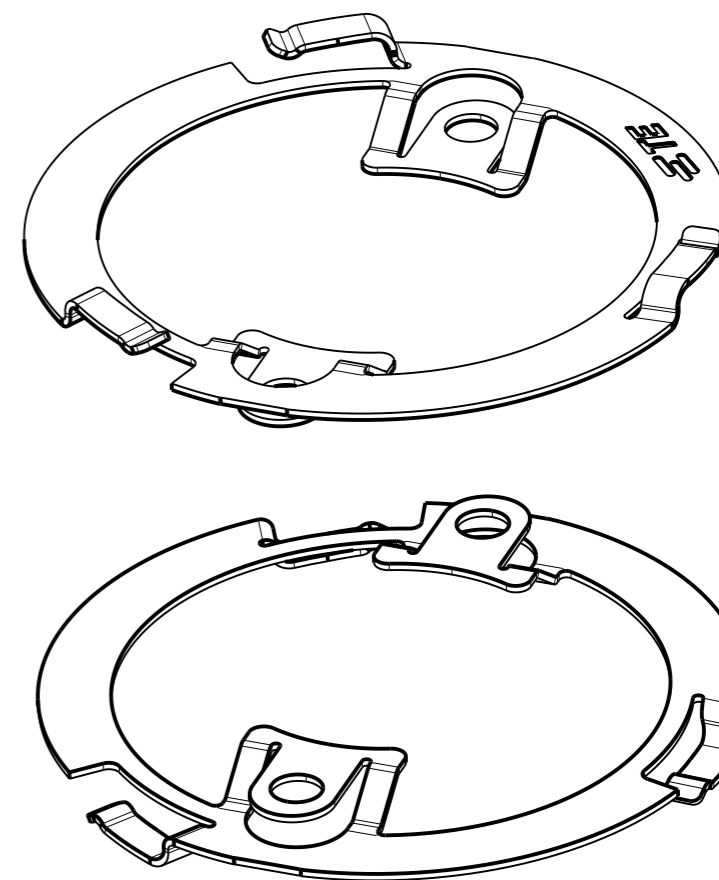
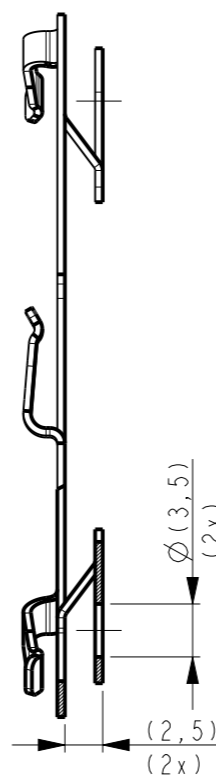
LOC	DIST	REVISIONS					
		P	LTR	DESCRIPTION	DATE	DWN	APVD
H	-		A	RELEASED PER ECR 13-005016	22MAR2013	PP	OL
			A1	REVISED PER ECR-14-000133	22JAN2014	YR	OL

NOTES:

1. MATERIAL: STAINLESS STEEL
2. MUST COMPLY WITH DIRECTIVE 2002/95/EC (ROHS)08 MAX.
3. TO BE USED INLINE WITH z50 ZHAGA COVERS.
4. TO BE USED OPTIC INTERFACE, SEE LAST SHEET.



SECTION Q-Q



PART NUMBER
2213194-1

THIS DRAWING IS A CONTROLLED DOCUMENT.

DIMENSIONS: mm	TOLERANCES UNLESS OTHERWISE SPECIFIED:
	0 PLC ±-
	1 PLC ±-
	2 PLC ±-
	3 PLC ±-
	4 PLC ±-
	ANGLES ±-
MATERIAL -	FINISH -

DWN	02NOV2012
P. POORTER	
CHK	06NOV2012
O. LEIJNSE	
APVD	06NOV2012
O. LEIJNSE	
PRODUCT SPEC	-
APPLICATION SPEC	-
WEIGHT	-
CUSTOMER DRAWING	

PRELIMINARY TE Connectivity

NAME: LUMAWISE LED HOLDER OPTIC CLIP Z50, TYPE I

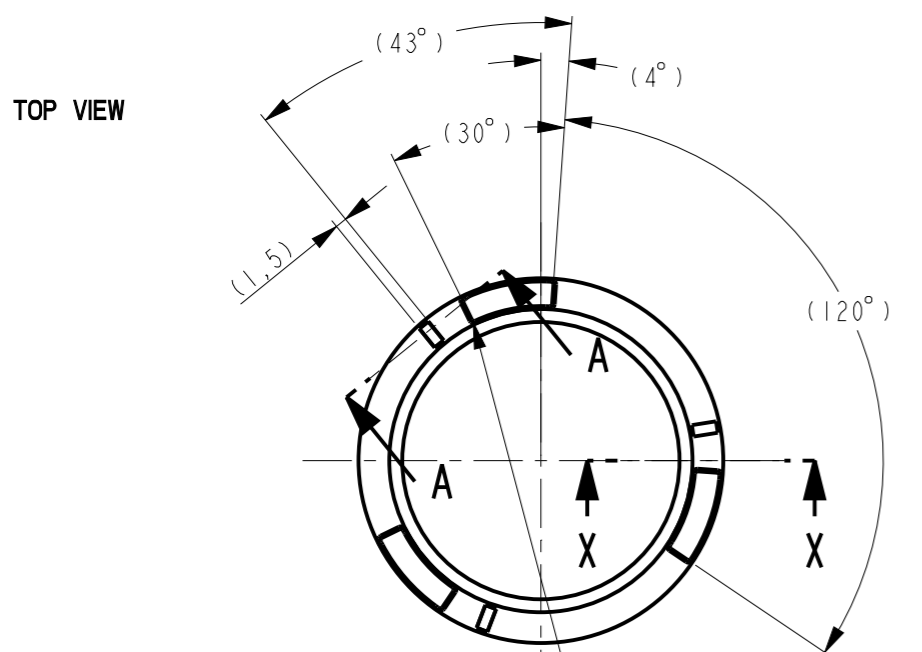
SIZE	CAGE CODE	DRAWING NO	RESTRICTED TO
A3	00779	C-2213194	-

SCALE: 2:1 SHEET 1 OF 2 REV A1

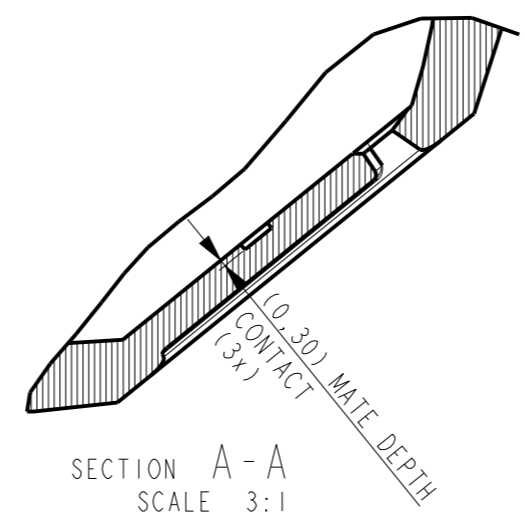
THIS DRAWING IS UNPUBLISHED. RELEASED FOR PUBLICATION
 © COPYRIGHT - BY TYCO ELECTRONICS CORPORATION. ALL RIGHTS RESERVED.

LOC	DIST	REVISIONS					
H	-	P	LTR	DESCRIPTION	DATE	DWN	APVD
				SEE SHEET 1			

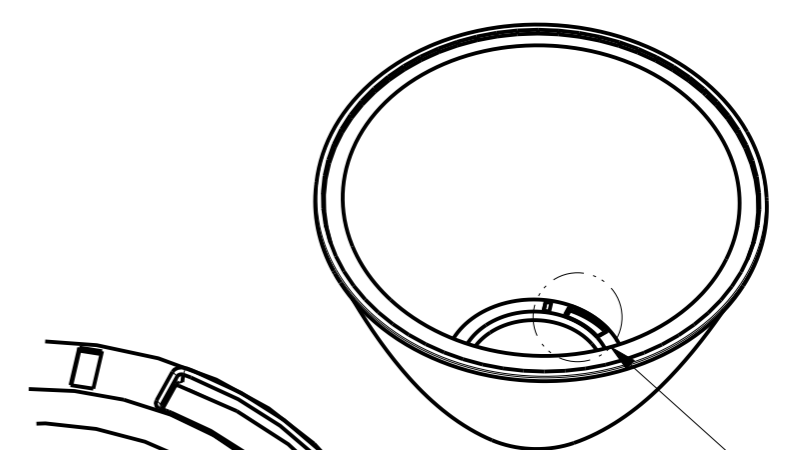
RECOMMENDED OPTIC INTERFACE:



SCALE 1:1 CHAMFER 0.4 MIN. x 45°

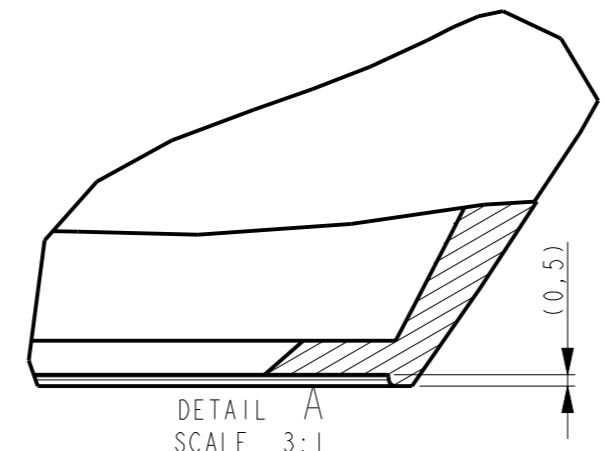
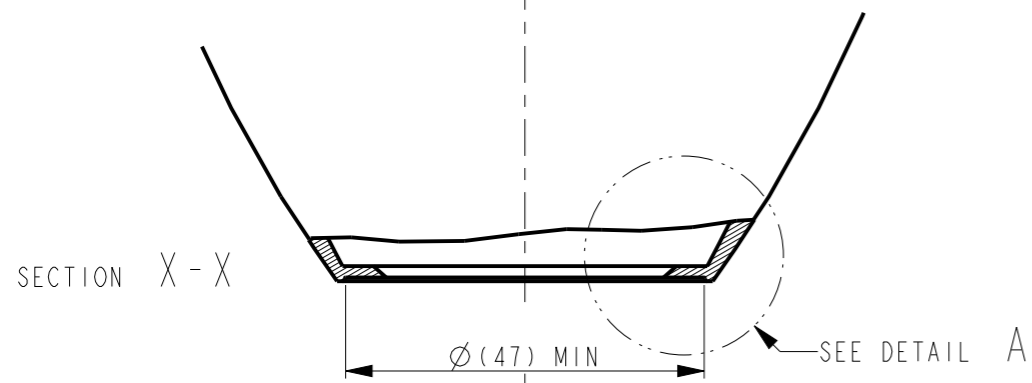


SECTION A-A SCALE 3:1

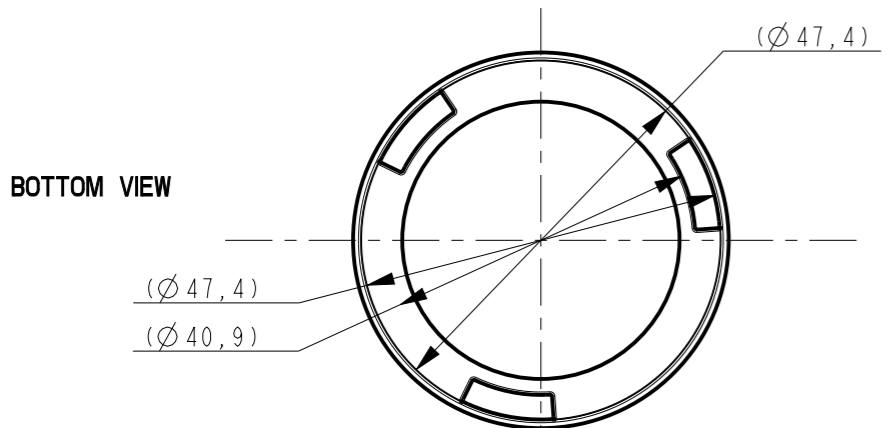
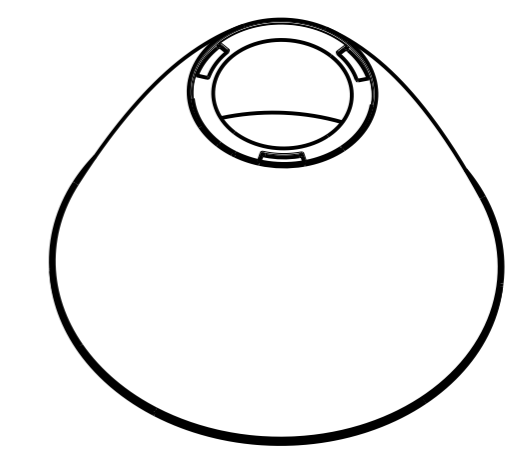


DETAIL B SCALE 2:1

SEE DETAIL B



DETAIL A SCALE 3:1



BOTTOM VIEW

THIS DRAWING IS A CONTROLLED DOCUMENT.		DWN P. POORTER 02NOV2012	TE Connectivity	
DIMENSIONS: mm		CHK O. LEIJNSE 06NOV2012		
TOLERANCES UNLESS OTHERWISE SPECIFIED:		APVD O. LEIJNSE 06NOV2012	NAME LUMAWISE LED HOLDER OPTIC CLIP Z50, TYPE I	
0 PLC ±-		PRODUCT SPEC -	SIZE A3	
1 PLC ±-		APPLICATION SPEC -	CAGE CODE 00779	DRAWING NO C-2213194
2 PLC ±-		WEIGHT -	RESTRICTED TO -	
3 PLC ±-		CUSTOMER DRAWING	SCALE 2:1	SHEET 2 OF 2
4 PLC ±-				REV A1
ANGLES ±-				
FINISH -				