

THIS DRAWING IS UNPUBLISHED. RELEASED FOR PUBLICATION
 © COPYRIGHT - By - ALL RIGHTS RESERVED.

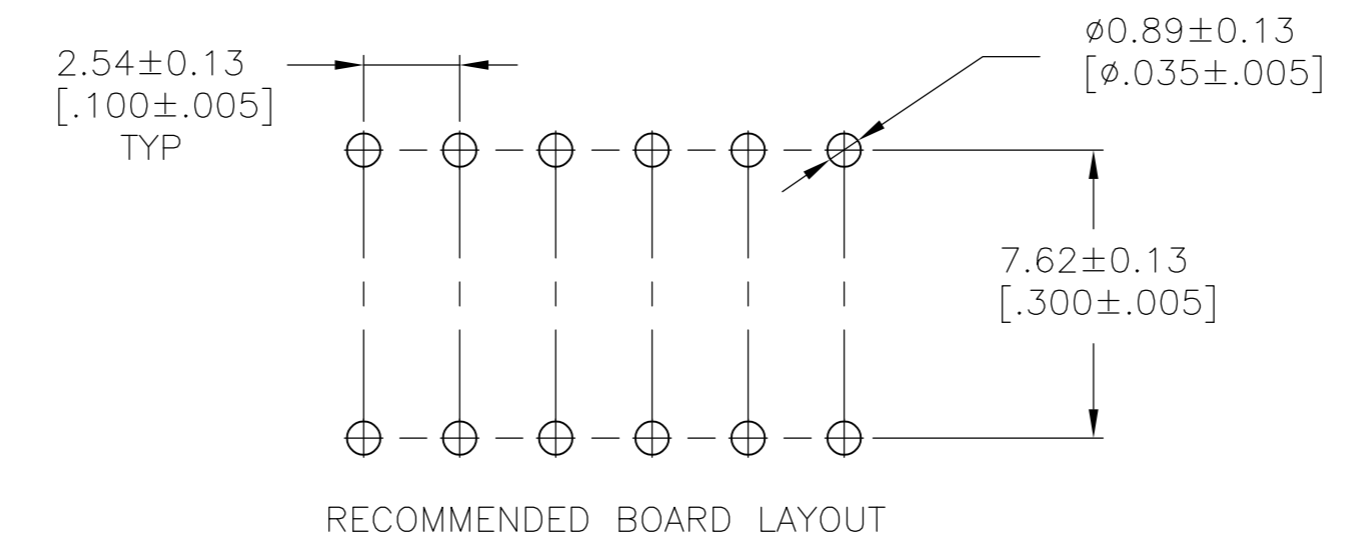
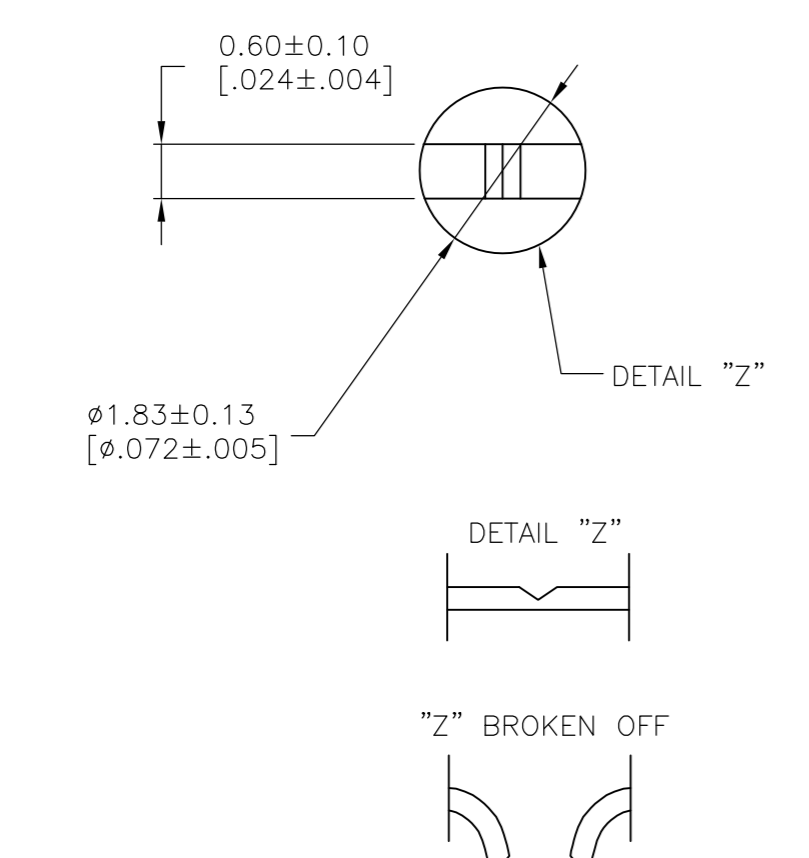
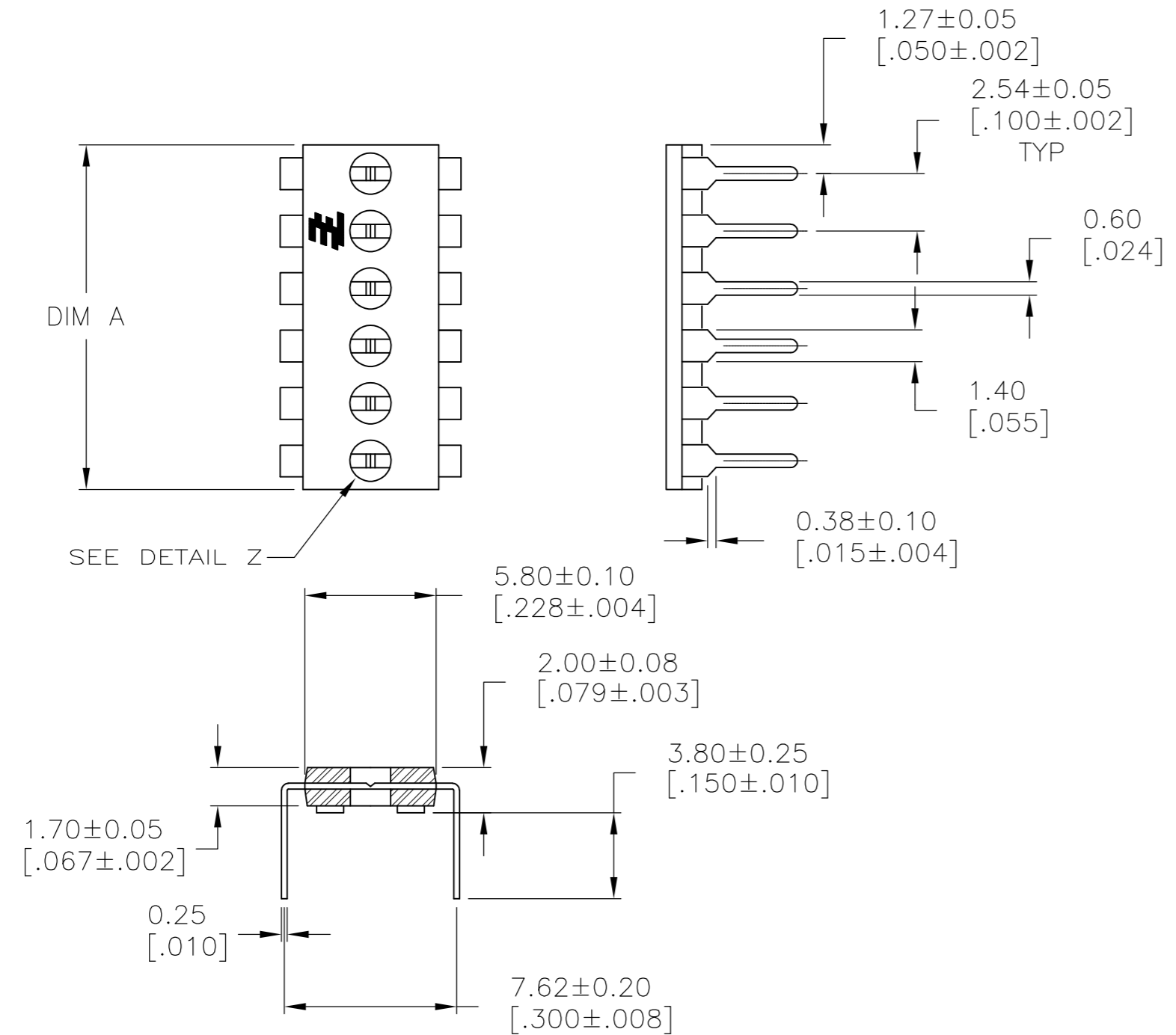
LOC		DIST		REVISIONS			
P	LTR	DESCRIPTION		DATE	DWN	APVD	
AD	00	C		REVISED PER ECO-12-007413	21APR12	KH	PO

SPECIFICATIONS:

MATERIAL:

CASE: HTN 30% GF UL94V-0
 TERMINAL: COPPER ALLOY, TIN OVER NICKEL PLATE

⚠ ALL MATERIALS AND FINISHES SHALL COMPLY WITH EU DIRECTIVE 2002/95/EC OF 27JAN2003 (ROHS)



30.48 [1.200]	12	1-1825190-0
25.40 [1.000]	10	1825190-9
22.86 [.900]	9	1825190-8
20.32 [.800]	8	1825190-7
17.78 [.700]	7	1825190-6
15.24 [.600]	6	1825190-5
12.70 [.500]	5	1825190-4
10.16 [.400]	4	1825190-3
7.62 [.300]	3	1825190-2
2.54 [.200]	2	1825190-1
DIM A	POSITION	PART NO.

THIS DRAWING IS A CONTROLLED DOCUMENT.		DWN	06MAY05	
DIMENSIONS: mm [INCHES]		CHK	B.S.VISWESWARA	
TOLERANCES UNLESS OTHERWISE SPECIFIED:		APVD	M.S.SARVER	
0 PLC ± -		PRODUCT SPEC	M.S.SARVER	
1 PLC ± -		APPLICATION SPEC	-	
2 PLC ± 0.03[.001]		WEIGHT	-	
3 PLC ± -		CUSTOMER DRAWING	-	
4 PLC ± -		SCALE	4:1	
ANGLES ± -		SHEET	1 OF 1	
FINISH -		REV	C	

TE Connectivity		SHUNT, DIP, PROGRAMMABLE	
SIZE	CAGE CODE	DRAWING NO	RESTRICTED TO
A2	00779	C=1825190	-