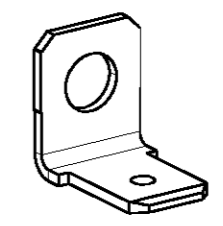
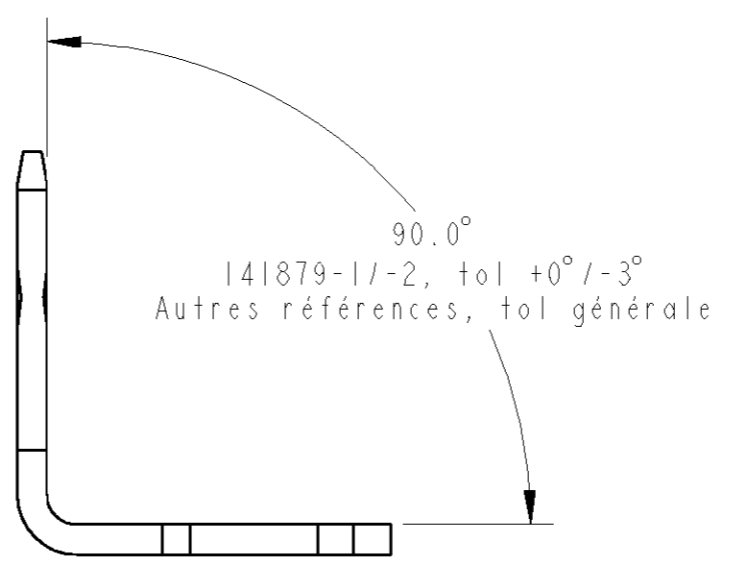
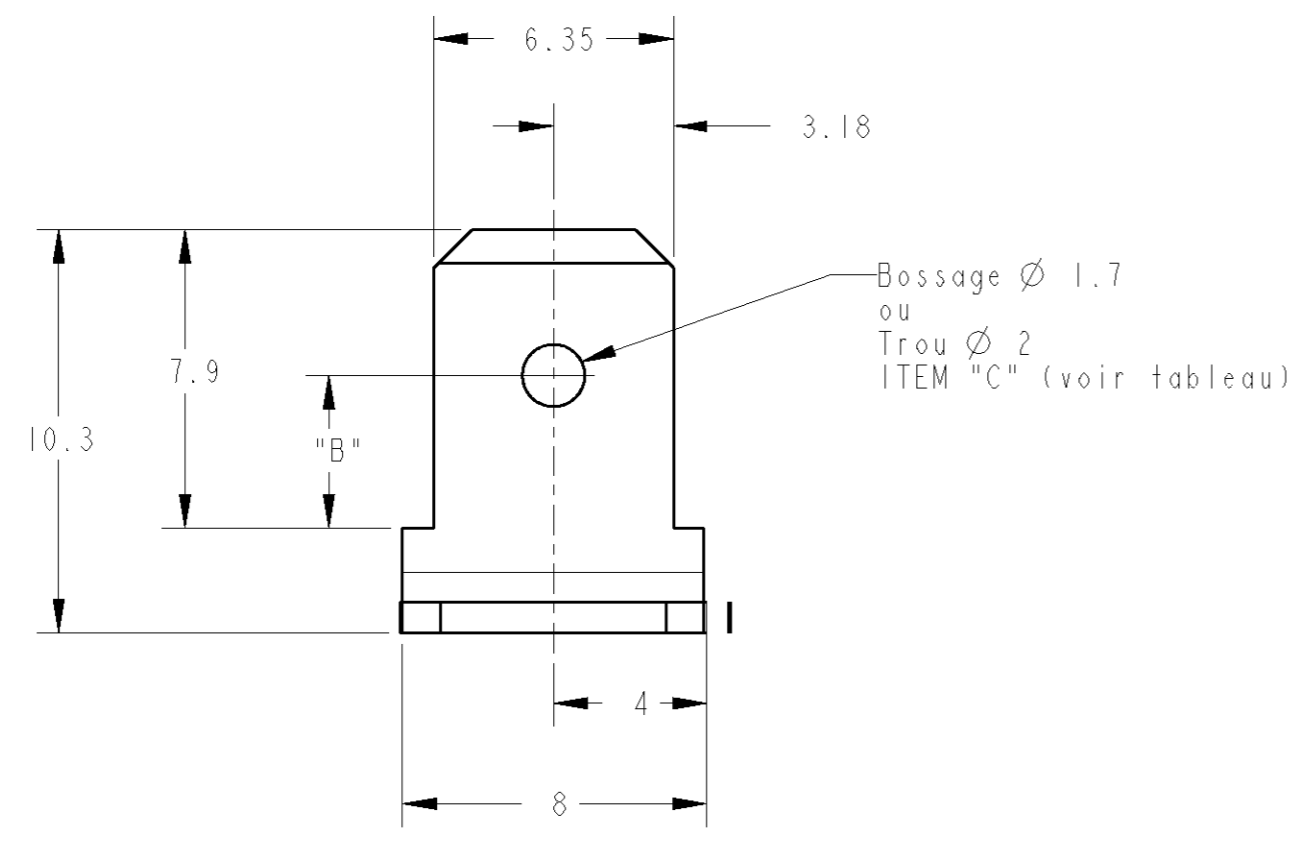


THIS DRAWING IS UNPUBLISHED.
 DIFFUSION RESTREINTE AMP
 © COPYRIGHT BY

RELEASED FOR PUBLICATION
 LIBRE A LA DIFFUSION
 20
 ALL RIGHTS RESERVED.
 TOUS DROITS RESERVES

LOC		DIST		REVISIONS			
P	LTR REV	DESCRIPTION MODIFICATIONS		DATE	DWN DESS.	APVD APP.	
F	7	J1	REVISED PER ECO-11-005150	28APR11	RK	HMR	



ECHELLE 2:1

D

D

C

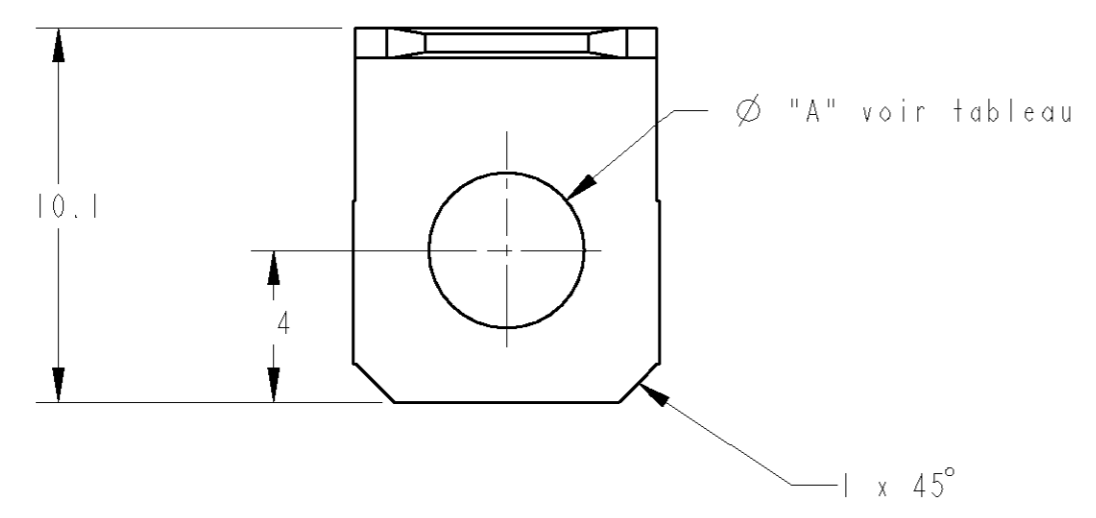
C

B

B

A

A



142612-2	etame	3	3.4	trou
142612-1	brut	3	3.4	trou
141879-2	etame	4.1	3.4	trou
141879-1	brut	4.1	3.4	trou
140793-2	etame	4.1	3.4	trou
140793-1	brut	4.1	3.4	trou
140732-2	etame	3.1	4	bossage
140732-1	brut	3.1	4	bossage
140600-0	etame	3.7	4	bossage
140599-0	brut	3.7	4	bossage
140594-0	etame	4.1	4	bossage
140593-0	brut	4.1	4	bossage
Numero	Finition	"A"	"B"	"C"

DWN/DESSINE 30MARS98 O. LEMPEREUR		TE Connectivity	
CHK/VERIFIE - G. ROBERT			
APVD/APPROUVE - Y. PETRONIN		NAME/TITRE FASTON TABS BENT 90 .250 series LANGUETTE POUR CLIPS	
DIMENSIONS: mm		SIZE FORMAT A3	
TOLERANCES UNLESS OTHERWISE SPECIFIED: TOLERANCES NON SPECIFIEES (SUIV NB DE DECIMALES): 0 PLC/DEC: ±- 1 PLC/DEC: ±0.2 2 PLC/DEC: ±- 3 PLC/DEC: ±- 4 PLC/DEC: ±- ANGLES ±30'		DRAWING NO No PLAN C=140593	
MATERIAL/MATIERE LAITON Epaisseur : 0.8mm		RESTRICTED TO RESERVE A -	
FINISH/FINITION VOIR TABLE		WEIGHT MASSE APPROX. -	
CUSTOMER DRAWING /PLAN CLIENT		UNIQUEMENT POUR REFERENCE SCALE/ECHELLE 5:1	
		SHEET FEUILLE OF DE REV J1	