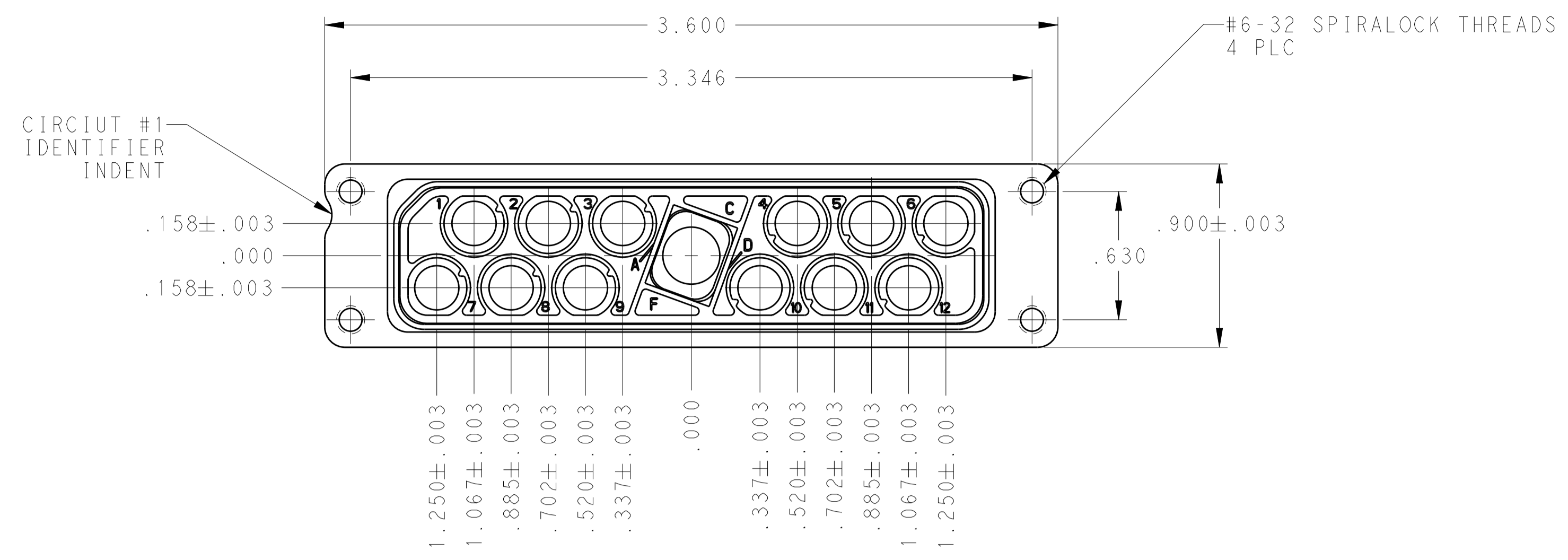
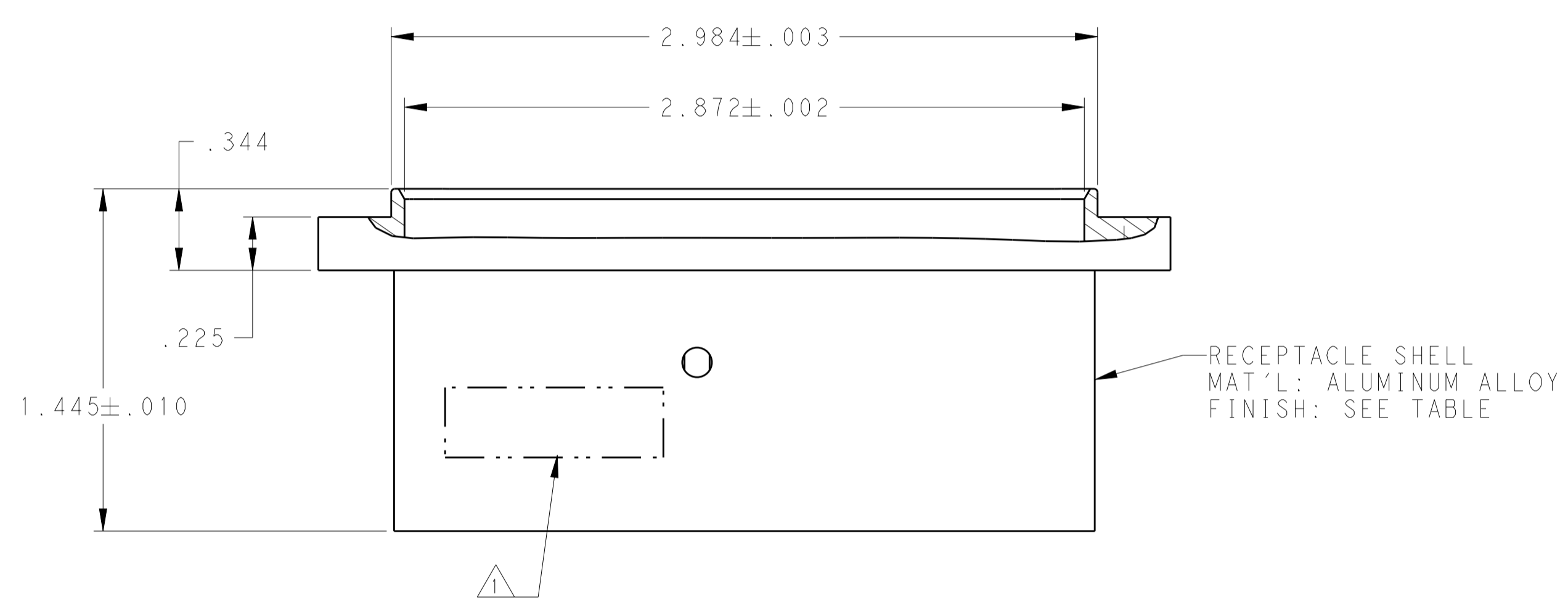


LOC		DIST		REVISIONS			
P	LTN	DESCRIPTION	DATE	DMN	APVD		
F		REV PER ECO 13-008491	6-3-13	CT	DM		

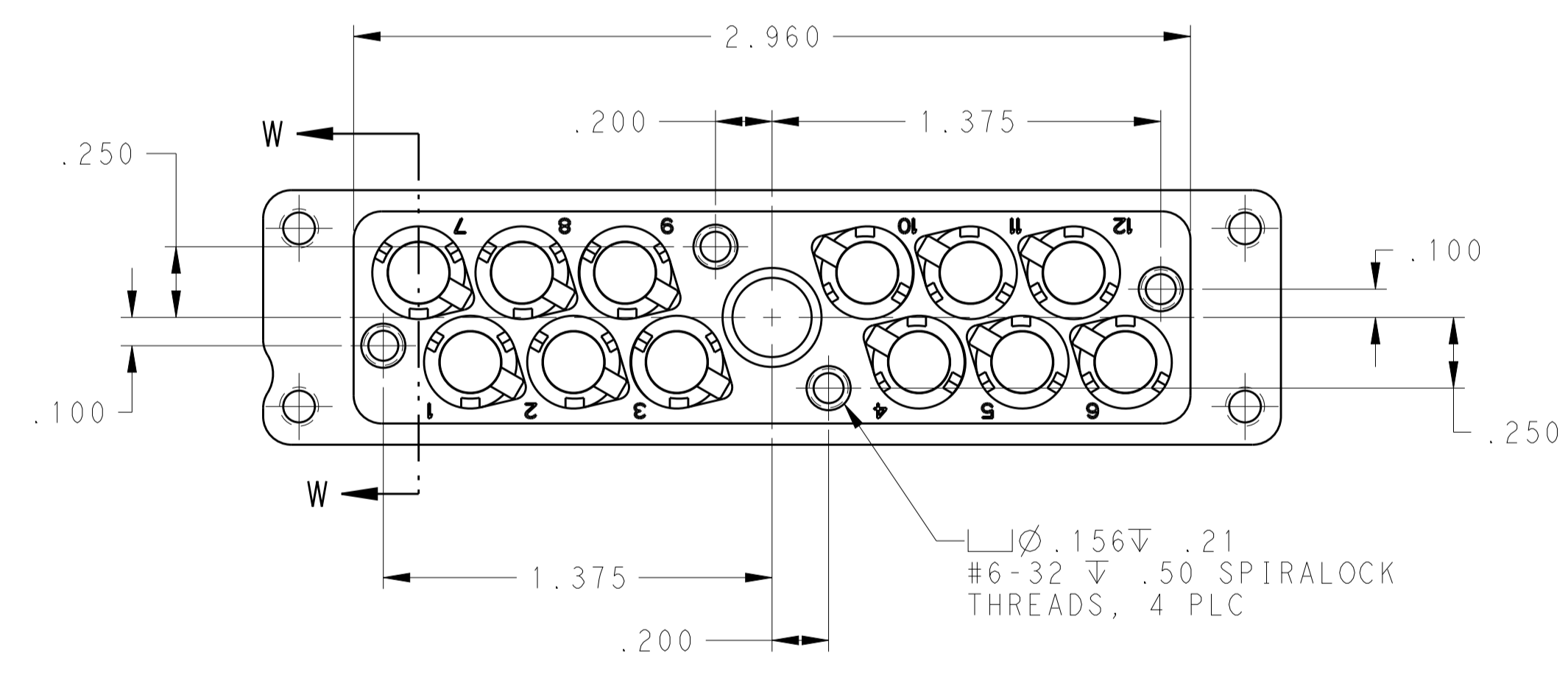


- ⚠ TE LOGO, DATE CODE AND TE OR CUSTOMER PART NUMBER (SEE TABLE) MARKED APPROX AS SHOWN ON EITHER SIDE.
- ⚠ JACKPOST KIT IS SHIPPED UNASSEMBLED. KIT IS PACKAGED IN A SEALED BAG.

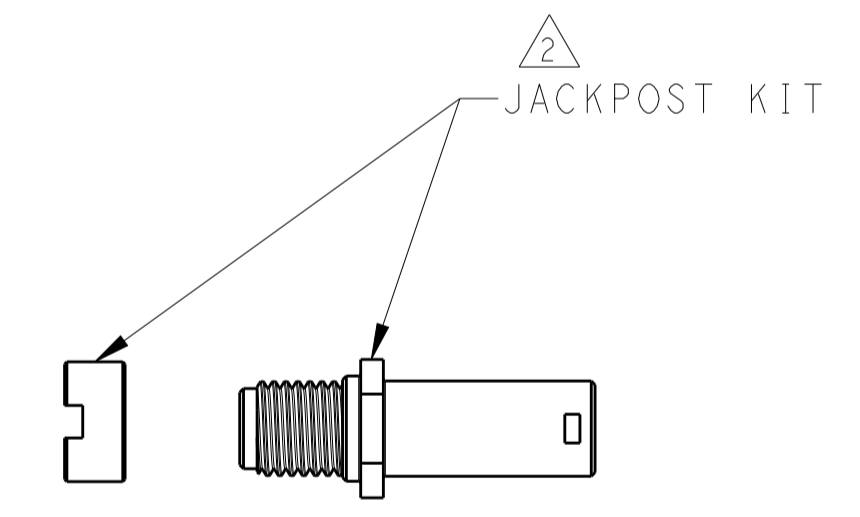
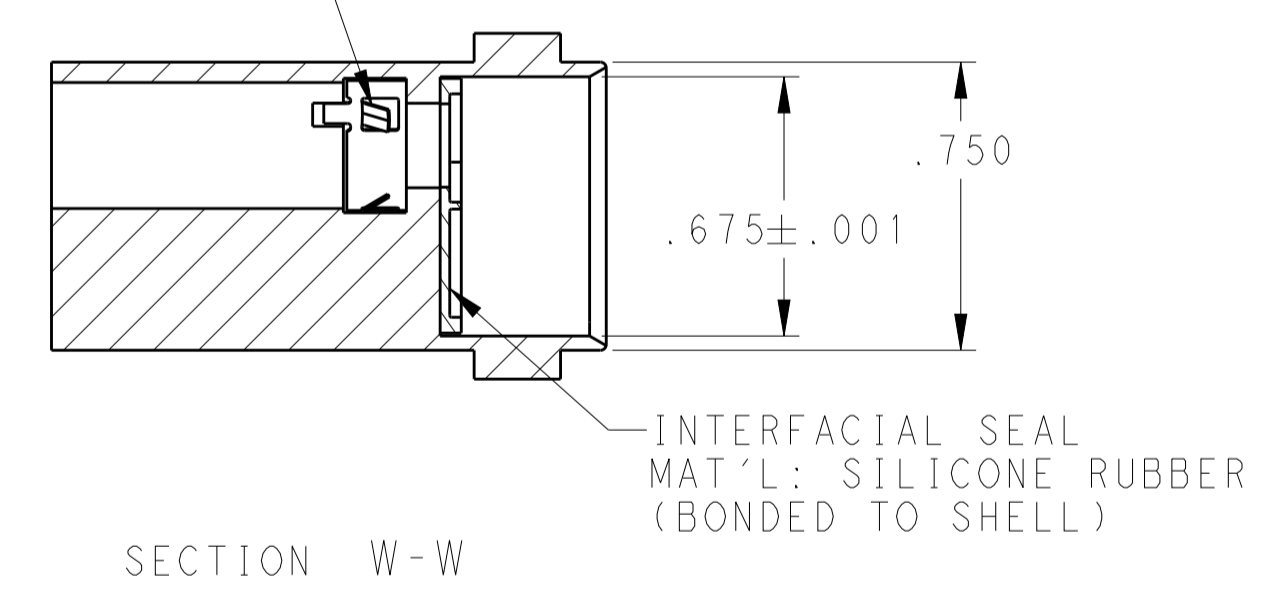


**RCPT  
1604996-X  
CONDUCTIVE**

DUST COVER (INSTALLED FOR SHIPPING)



RETENTION CLIP (QTY=12)  
MAT'L: STAINLESS STEEL  
FINISH: SILVER PLATED



SUPERSEDED BY 1604799-5

**OBSOLETE**

ELECTROLESS NICKEL	1445692-4	BACC65BD12N	WITH JACKPOST KIT (FLAT POLARIZATION) (NOT INSTALLED)	1604799-8
ELECTROLESS NICKEL	1445692-3	---	WITH JACKPOST KIT (FLAT POLARIZATION) (NOT INSTALLED)	1604799-7
ELECTROLESS NICKEL	1445692-3	---	WITH JACKPOST KIT (FLAT POLARIZATION) (NOT INSTALLED)	1604799-5
BLACK ANODIZED	1445692-4	BACC65BD12A	WITH JACKPOST KIT (FLAT POLARIZATION) (NOT INSTALLED)	1604799-4
HOUSING FINISH	RECOMMENDED CONTACT WITH WIRE SEAL (NOT INCLUDED)	CUSTOMER PART NUMBER	DESCRIPTION	TE PART NO

THIS DRAWING IS A CONTROLLED DOCUMENT. DWN: C.C. THOMAS 29NOV2010  
 CHK: D.MILLER 29NOV2010  
 APVD: D.MILLER 29NOV2010

**STE** TE Connectivity

NAME: RECEPTACLE ASSY, QUADRAX, PANEL MOUNT RR/RR, 12 POSITION

SIZE: A1 CAGE CODE: 100779 DRAWING NO: 1604799

SCALE: 2:1 SHEET 1 OF 1 REV F