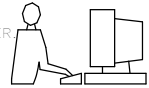
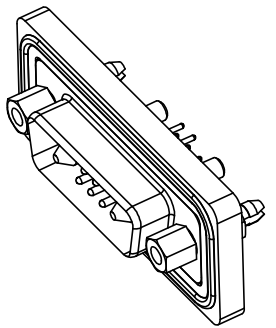
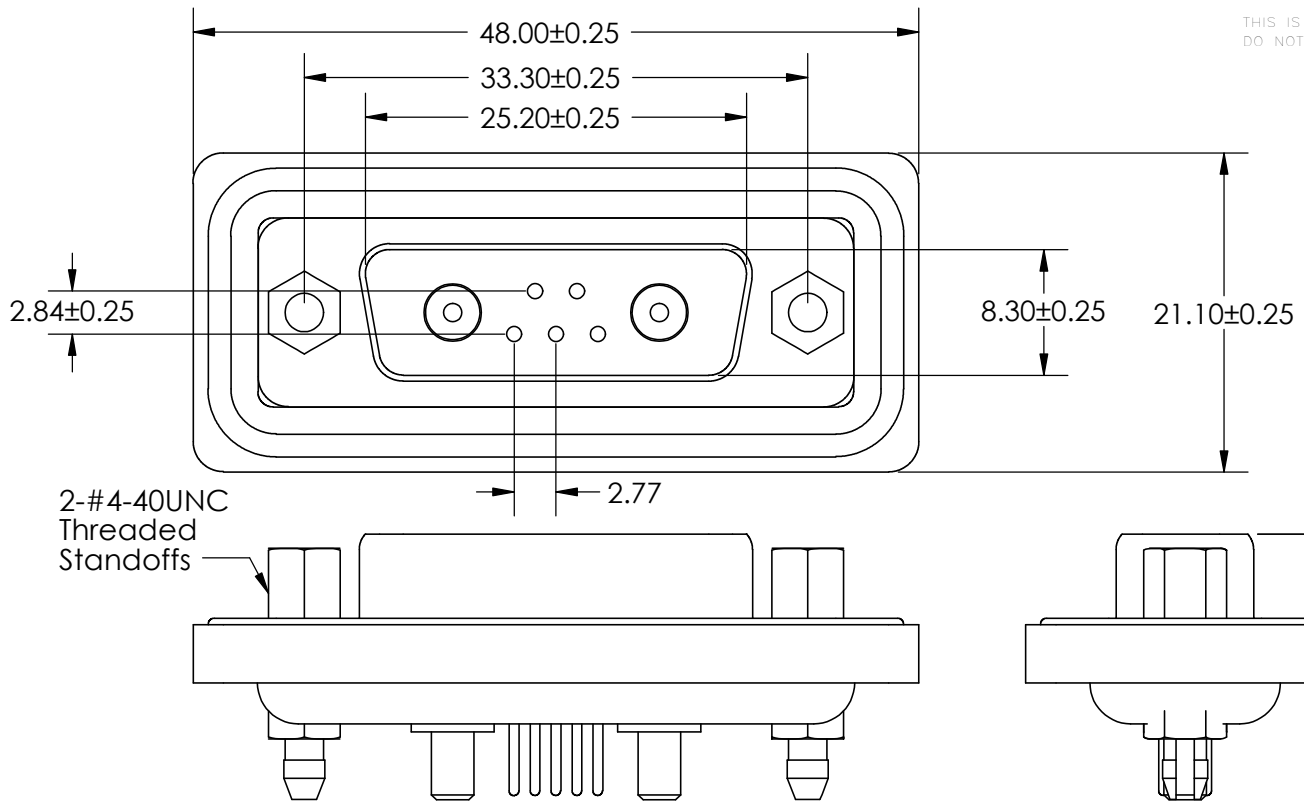


THIS IS A C.A.D. GENERATED DRAWING  
DO NOT MAKE MANUAL REVISIONS TO MASTER



ISSUE NUMBER

ORIGINAL



**Materials and Finish**

- Insulator: PBT with Glass Fiber, UL94V-0, Black
- Shell: Steel, Nickel Plated
- Contact: Copper Alloy, with 2-Gold Flash Plating over Nickel
- Watertight Frame: PBT with Glass Fiber, UL94V-0, Black
- O-Ring: Silicone
- Epoxy Sealant: Epoxy
- DEGREE OF PROTECTION: IP67 AS PER IEC60529

**Mounting Option**

3- RIVETED #4-40 UNC BOARDLOCKS

**Contact Information**

20- PC TAIL



THIS SERIES FULLY CONFORMS TO THE EUROPEAN UNION DIRECTIVES 2002/95/EC AND 2002/96/EC FOR RoHS COMPLIANCY.

**Electrical Characteristics**

- Current Rating: Signal Contact: 5.0 A  
High Power Contact: 10.0 A - 14.0 A
- Dielectric Withstanding Voltage: 1000 V / 1 Min
- Insulation Resistance: 5000 Megohm Min.
- Signal Contact Resistance: 10 Milliohms Max.
- High Power Contact Resistance: 1.0 Milliohms
- Working Temperature: -55C to +105C

<b>Power Combo Waterproof D-Sub Connector PLUG</b> <b>PART NUMBER: 627-W7W-220-013</b>		ACAD REFERENCE NO. 627-W7W Assembly	
		DRAWN: R.STA.MONICA	DATE: June.4/13
		CHECKED:	DATE:
		SCALE: NTS	SHEET 1 OF 1
		DRAWING NUMBER 627-W7W Assembly	ISSUE 1

**EDAC** EDAC INC  
TORONTO, ONTARIO  
CANADA  
YOUR CONNECTION TO QUALITY & SERVICE

THESE DRAWINGS AND SPECIFICATIONS ARE THE PROPERTY OF EDAC INC. AND SHALL NOT BE REPRODUCED, OR COPIED OR USED AS THE BASIS FOR THE MANUFACTURE OR SALE OF APPARATUS WITHOUT WRITTEN PERMISSION.