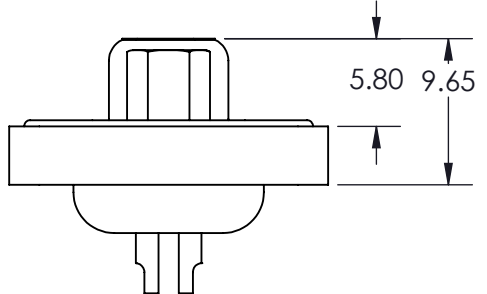
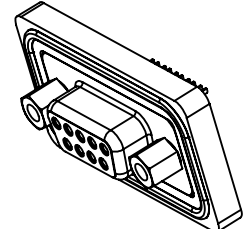
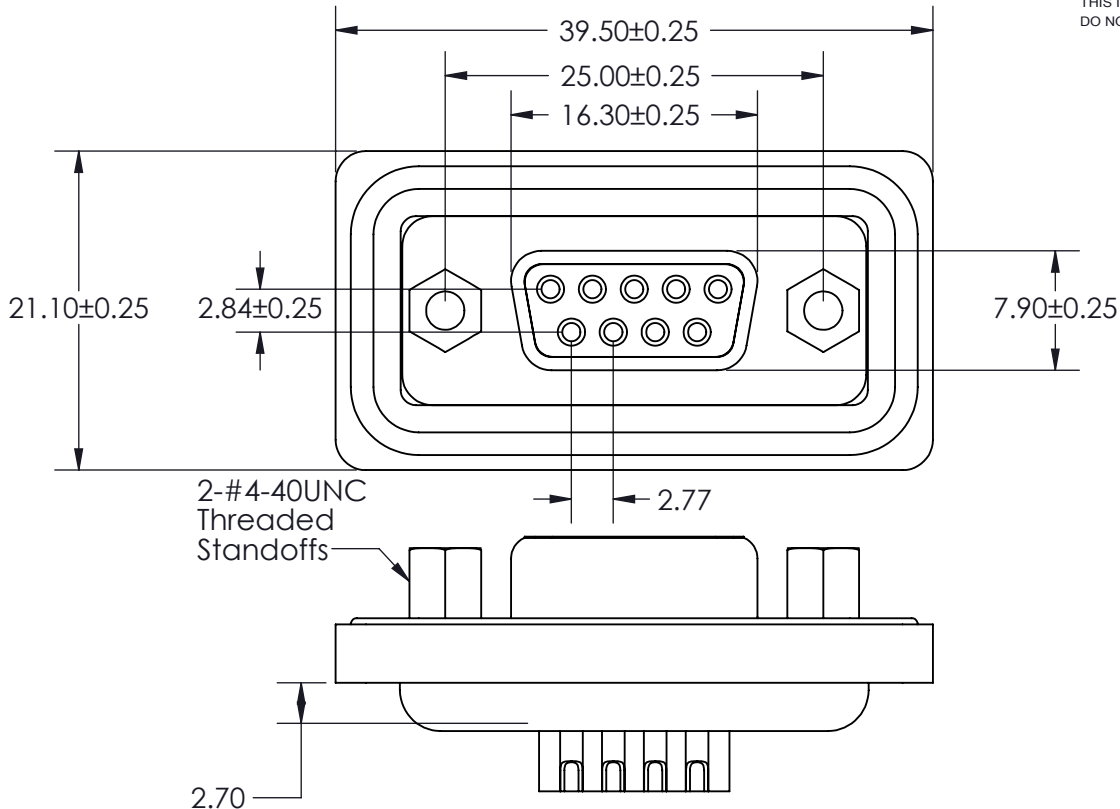


THIS IS A C.A.D. GENERATED DRAWING
DO NOT MAKE MANUAL REVISIONS TO MASTER.



ISSUE NUMBER	
ORIGINAL	①



Materials and Finish

- Insulator: PBT with Glass Fiber, UL94V-0, Black
- Shell: Steel, Nickel Plated
- Contact: Copper Alloy, with 2-Gold Flash Plating over Nickel
- Watertight Frame: PBT with Glass Fiber, UL94V-0, Black
- O-Ring: Silicone
- Epoxy Sealant: Epoxy

Mounting Option
2- #4-40 UNC THREADED HOLE

Contact Code:
22- SOLDER CUP TERMINATION



THIS SERIES FULLY CONFORMS TO THE EUROPEAN UNION DIRECTIVES 2002/95/EC AND 2002/96/EC FOR RoHS COMPLIANCY.

DEGREE OF PROTECTION: IP67 AS PER IEC60529

Electrical Characteristics

- Current Rating: 5 Amperes
- Dielectric Withstanding Voltage: 1000 V, for 1 Minute
- Insulation Resistance: 5000 Megohm Min.
- Contact Resistance: 10 Milliohms Max.
- Working Temperature: -55C to +105C

Standard Density Waterproof D-Sub Connector RECEPTACLE PART NUMBER: 628-W09-222-012		ACAD REFERENCE NO. 628-630W Assembly	
		DRAWN: R.STA.MONICA	DATE: June.4/13
		CHECKED:	DATE:
		SCALE: NTS	SHEET 1 OF 1
		DRAWING NUMBER 628-630W Assembly	ISSUE 1

EDAC EDAC INC
TORONTO, ONTARIO
CANADA
YOUR CONNECTION TO QUALITY & SERVICE

THESE DRAWINGS AND SPECIFICATIONS ARE THE PROPERTY OF EDAC INC. AND SHALL NOT BE REPRODUCED, OR COPIED OR USED AS THE BASIS FOR THE MANUFACTURE OR SALE OF APPARATUS WITHOUT WRITTEN PERMISSION.