

TOLERANCE UNLESS OTHERWISE SPECIFIED IN MM:  
 0.0 ± 0.20 ANGLE x°  
 0.00 ± 0.10  
 0.000 ± 0.05

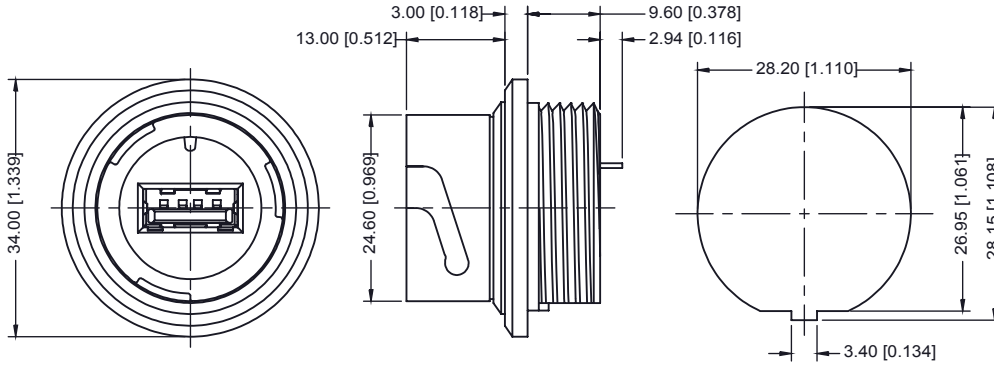
THIS IS A C.A.D. GENERATED DRAWING  
 DO NOT MAKE MANUAL REVISIONS TO MASTER.



ISSUE NUMBER

ORIGINAL

1



**PANEL CUT-OUT**

**MATERIAL :**

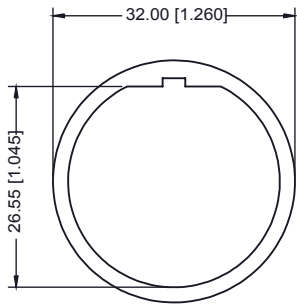
1. USB CONN
  - 1-2 . HOUSING : PBT UL 94V-0 ; COLOR : BLACK
  - 1-3 . CONTACT : PHOSPHOR BRONZE
  - 1-4 . SHELL : BRASS

**2. PARTS**

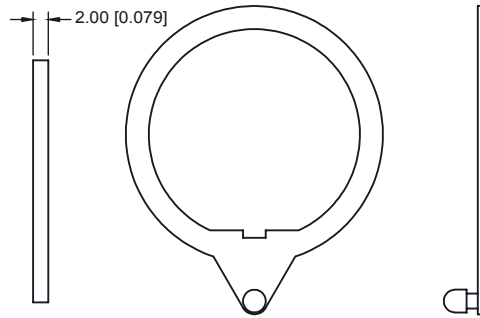
- 2-1 . EXTERNAL HOUSING : PBT UL 94V-0 ; COLOR : BLACK
- 2-2 . NUT : PBT UL 94V-0 ; COLOR : BLACK
- 2-3 . WASHER : PBT UL 94V-0 ; COLOR : BLACK
- 2-4 . O-RING : SILICON

**3. PLATING**

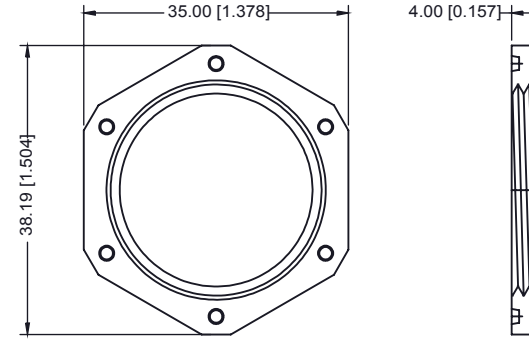
- 3-1 . CONTACT : GOLD PLATING ON CONTACT AREA  
BRIGHT TIN ON SOLDER AREA
- 3-2 . SHELL : NICKEL PLATING OVER ALL



**O-RING**



**WASHER**



**NUT**



THIS SERIES FULLY CONFORMS TO THE EUROPEAN UNION DIRECTIVES 2011/65/EU FOR RoHS COMPLIANCY.



YOUR CONNECTION TO QUALITY & SERVICE

EDAC INC  
 TORONTO, ONTARIO  
 CANADA

THESE DRAWINGS AND SPECIFICATIONS ARE THE PROPERTY OF EDAC INC., AND SHALL NOT BE REPRODUCED, OR COPIED OR USED AS THE BASIS FOR THE MANUFACTURE OR SALE OF APPARATUS WITHOUT WRITTEN PERMISSION.

**WATERPROOF USB TYPE A, 4P  
 (FEMALE)**

ACAD REFERENCE NO.: 690-W04-260-014

DRAWN: R. STA. MONICA

DATE: APR. 07/2014

CHECKED:

DATE:

PART NUMBER

**690-W04-260-014**

SHEET 1 OF 1

DRAWING NUMBER

**690-W04-260-014**

ISSUE

1