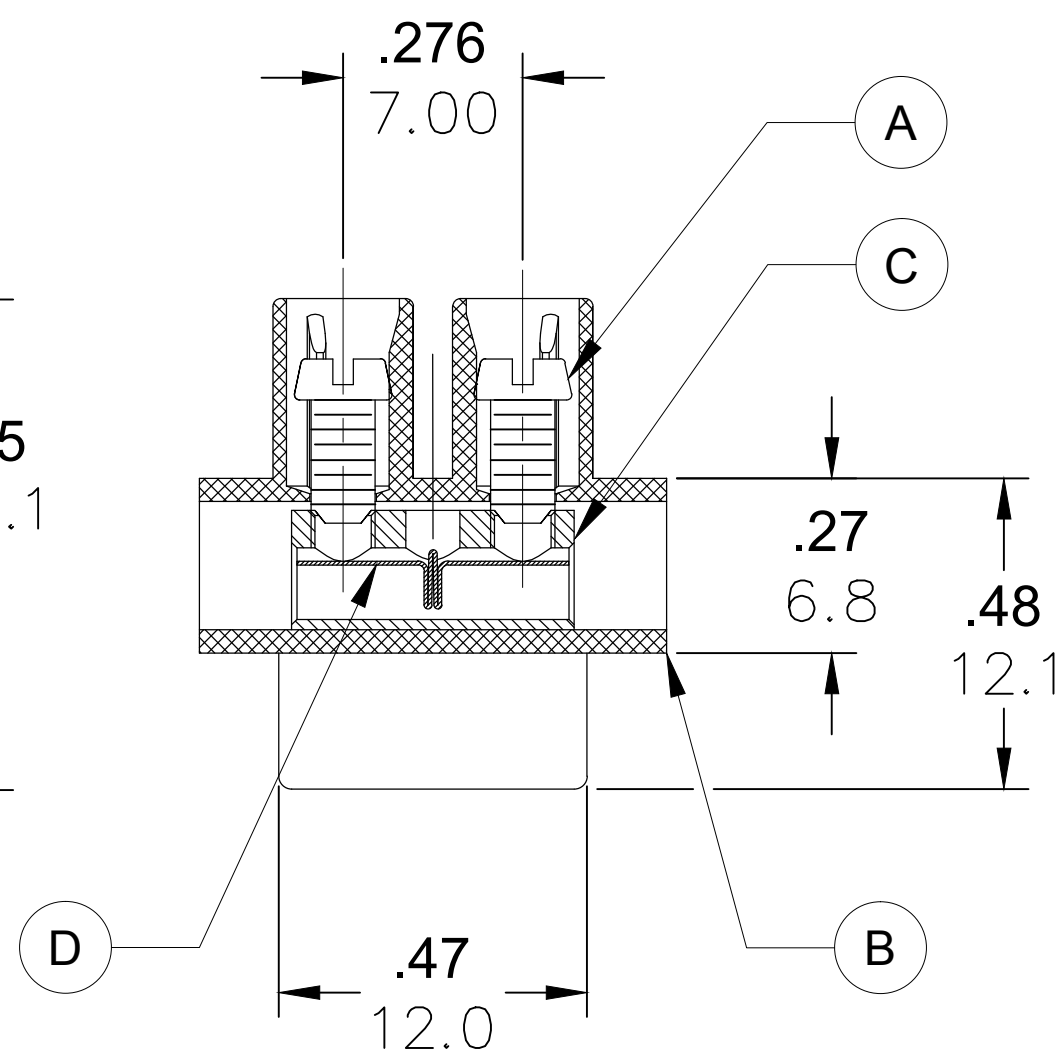
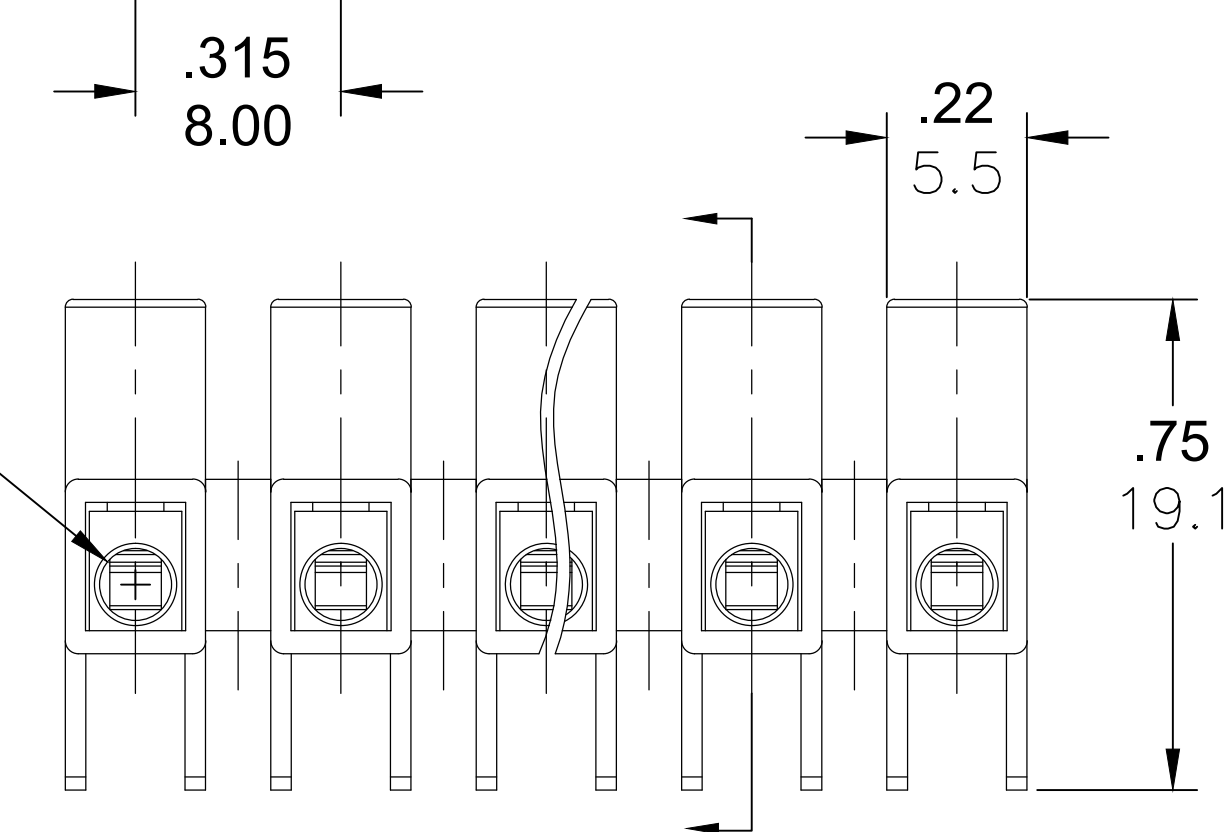
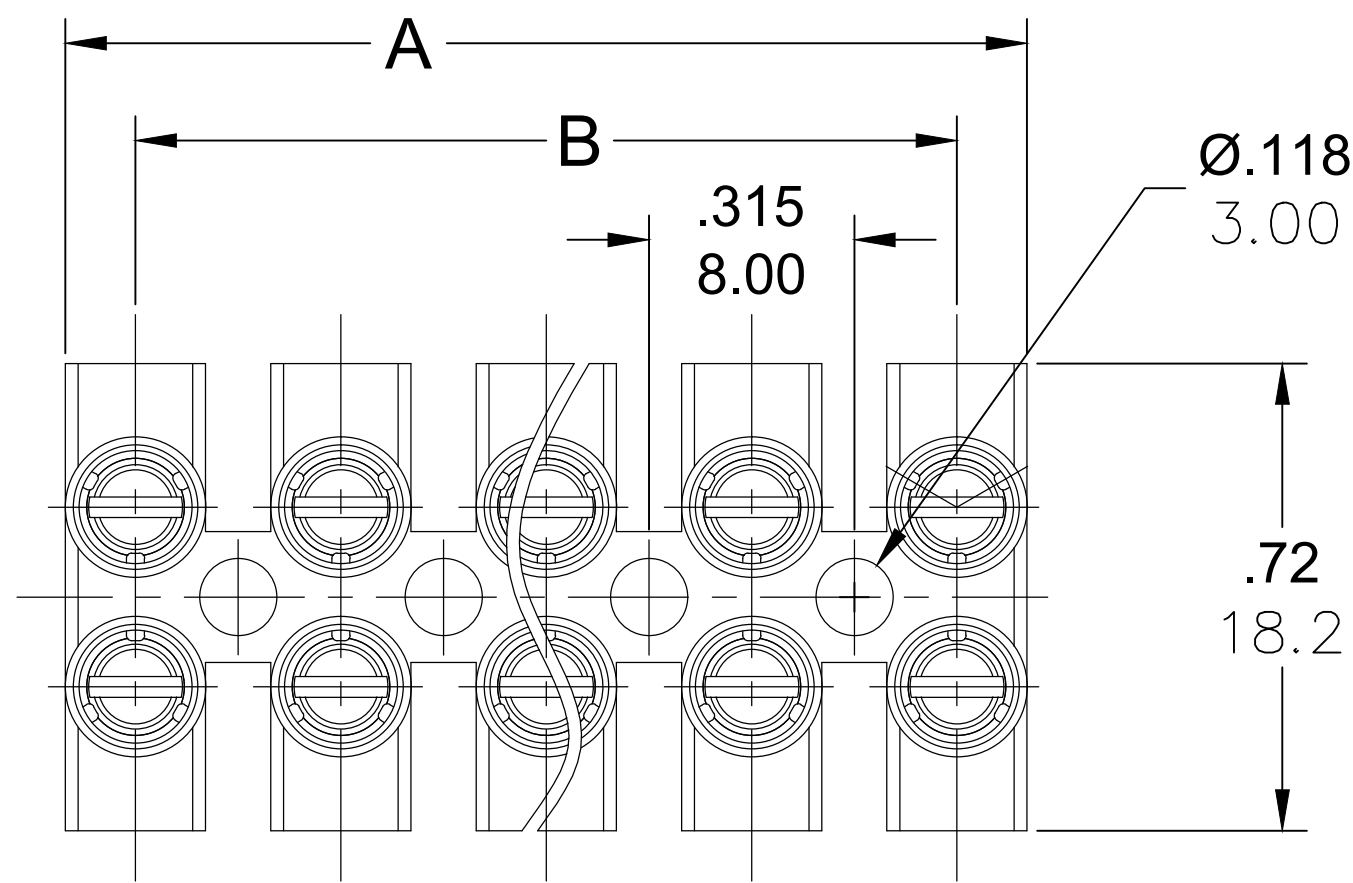
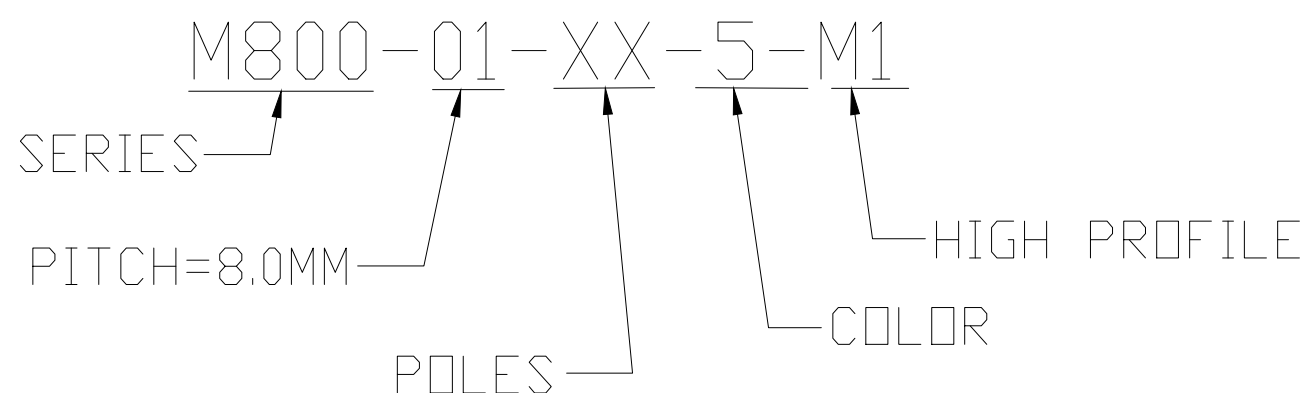


PART NUMBER DATA							
CIRCUITS	PART NUMBER	ENGINEERING NUMBER	COLOR	A IN mm		B IN mm	
2	391001802	M800-01-02-5-M1	WHITE	.53	13.5	.315	8.00
3	391001803	M800-01-03-5-M1	WHITE	.85	21.5	.630	16.00
4	391001804	M800-01-04-5-M1	WHITE	1.16	29.5	.945	24.00
5	391001805	M800-01-05-5-M1	WHITE	1.48	37.5	1.260	32.00
6	391001806	M800-01-06-5-M1	WHITE	1.79	45.5	1.575	40.01
7	391001807	M800-01-07-5-M1	WHITE	2.11	53.5	1.890	48.01
8	391001808	M800-01-08-5-M1	WHITE	2.42	61.5	2.205	56.01
9	391001809	M800-01-09-5-M1	WHITE	2.74	69.5	2.520	64.01
10	391001810	M800-01-10-5-M1	WHITE	3.05	77.5	2.835	72.01
11	391001811	M800-01-11-5-M1	WHITE	3.37	85.5	3.150	80.01
12	391001812	M800-01-12-5-M1	WHITE	3.68	93.5	3.465	88.01

REF. LAST 2 DIGITS OF PART NUMBER EQUAL CIRCUIT COUNT



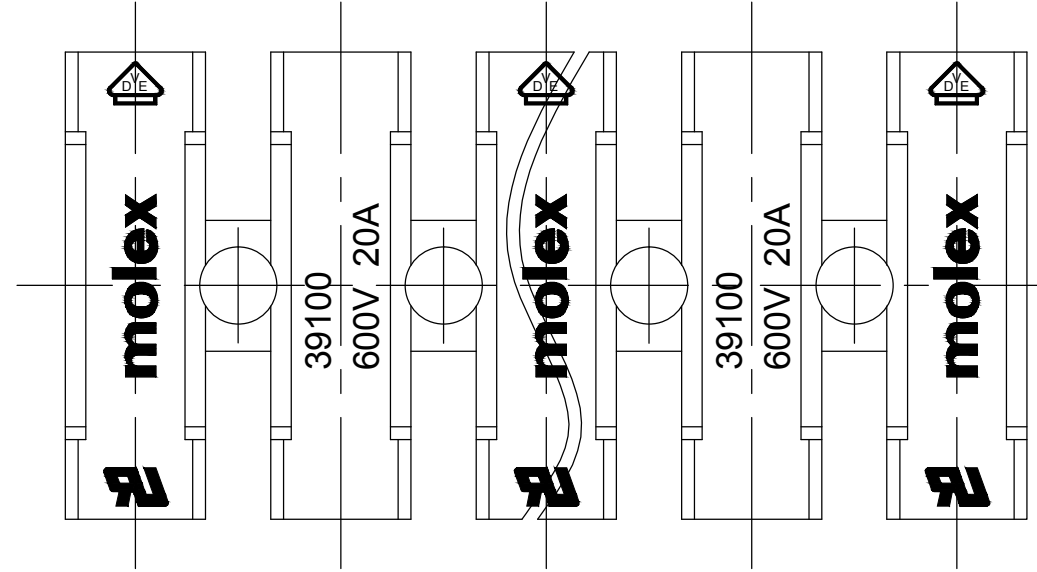
ENGINEERING NUMBER LEGEND



CONTACT FACTORY FOR OPTIONAL COLORS

SPECIFICATIONS:

- Material:
  - (A) Screw: Steel, Zinc plated
  - (B) Body: PA66 UL94 V-0
  - (C) Cage: Brass, Nickel plated
  - (D) Terminal: Stainless Steel
- Rating: 600V, 20amps
- Wire range: 22-12 AWG
- Max torque: 4.4 in lbs.
- Dielectric voltage withstand: DC 3000V for 1 minute.
- Insulation resistance: DC 1000V, 100GΩ
- Rated Impulse Voltage: 4000V, Plus and Minus 5 times each
- Strip Length: .20 in. (5.0mm)
- Operating Temperature: -40° C to +105° C
- Contact Resistance: < 3 mΩ
- All dims. shown are for reference only



EC NO: DC_LISLE DRWN: RSTONE 2014/07/07 CH'KD: G FARNSW APPR: JFMURPHY 2014/07/21 REV A	QUALITY SYMBOL ▽=0 ▽C=0	GENERAL TOLERANCES (UNLESS SPECIFIED) <table border="1"> <thead> <tr> <th></th> <th>mm</th> <th>INCH</th> </tr> </thead> <tbody> <tr><td>4 PLACES</td><td>±---</td><td>±---</td></tr> <tr><td>3 PLACES</td><td>±---</td><td>±.005</td></tr> <tr><td>2 PLACES</td><td>±0.13</td><td>±.01</td></tr> <tr><td>1 PLACE</td><td>±0.3</td><td>±---</td></tr> </tbody> </table>		mm	INCH	4 PLACES	±---	±---	3 PLACES	±---	±.005	2 PLACES	±0.13	±.01	1 PLACE	±0.3	±---	DIMENSION STYLE IN/MM	SCALE ---	DESIGN UNITS METRIC	THIRD ANGLE PROJECTION
		mm	INCH																		
	4 PLACES	±---	±---																		
	3 PLACES	±---	±.005																		
2 PLACES	±0.13	±.01																			
1 PLACE	±0.3	±---																			
		DRAWN BY DATE RSTONE 2014/07/07	TITLE <b>TERMINAL STRIP 8.0MM HIGH PROFILE 600V</b>																		
		CHECKED BY DATE G FARNSW ---	MOLEX INCORPORATED																		
		APPROVED BY DATE JFMURPHY 2014/07/21	MATERIAL NO. <b>SEE CHART</b>	DOCUMENT NO. <b>SD-39100-011</b>	SHEET NO. <b>1 OF 1</b>																
		DRAFT WHERE APPLICABLE MUST REMAIN WITHIN DIMENSIONS																			
		THIS DRAWING CONTAINS INFORMATION THAT IS PROPRIETARY TO MOLEX INCORPORATED AND SHOULD NOT BE USED WITHOUT WRITTEN PERMISSION																			