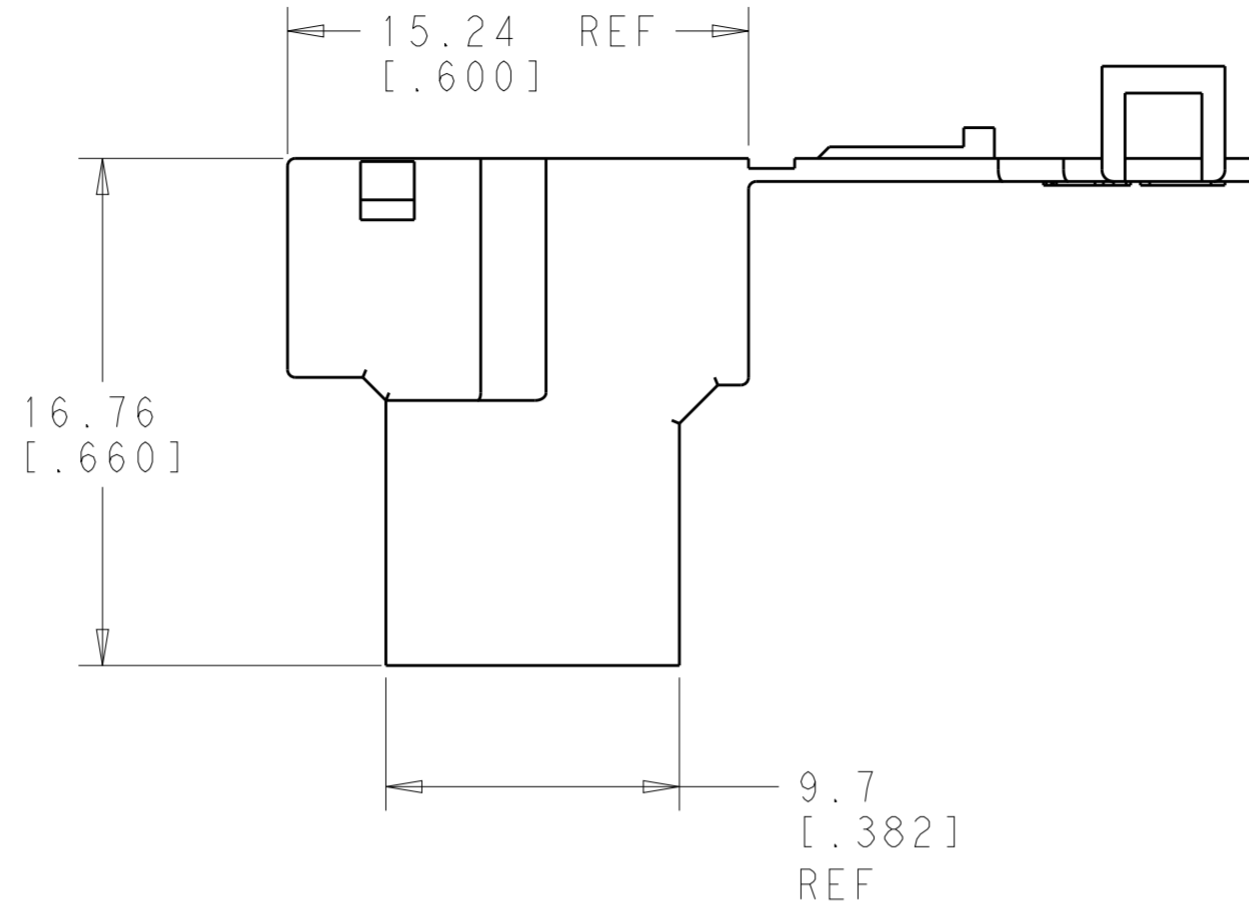
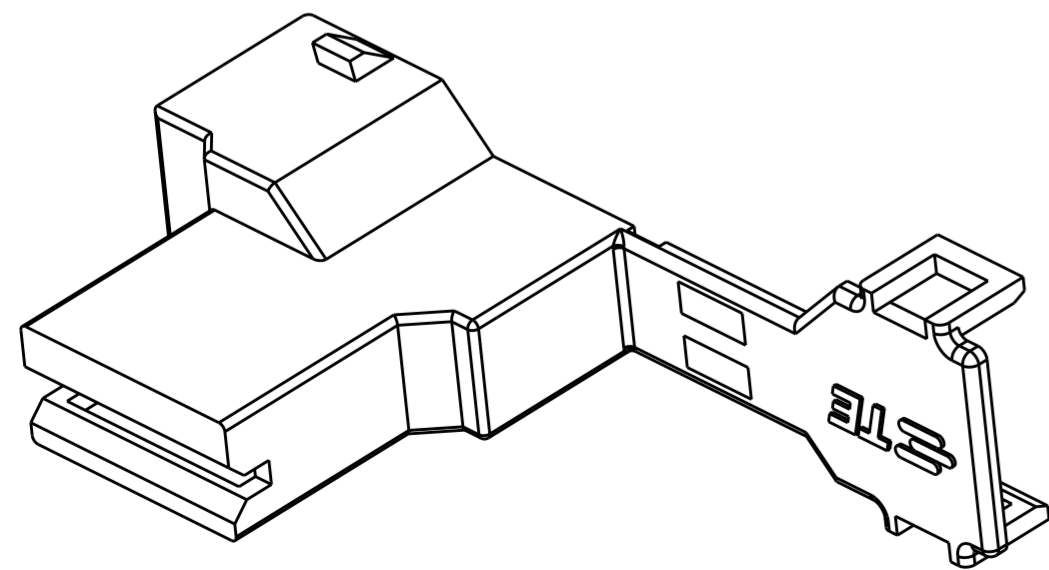
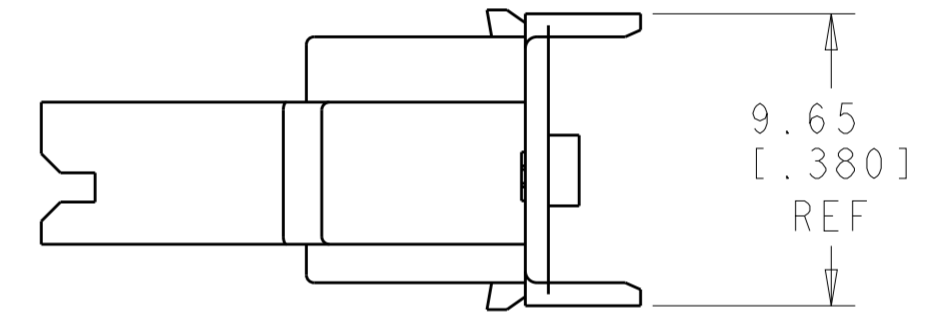
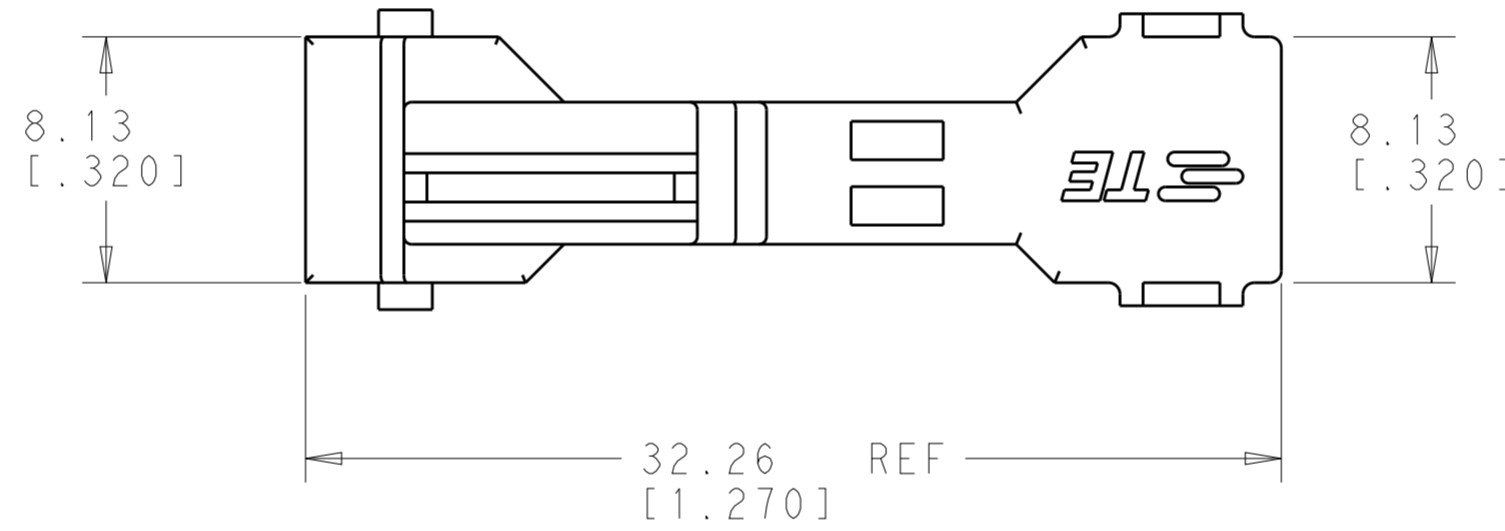
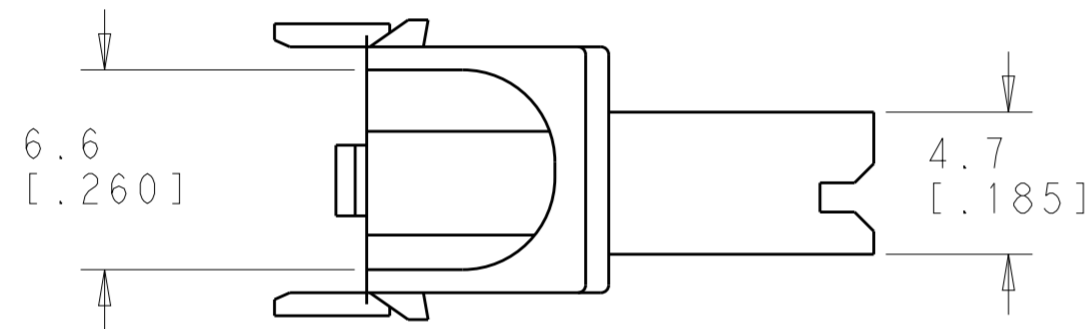


THIS DRAWING IS UNPUBLISHED. RELEASED FOR PUBLICATION 20
 © COPYRIGHT 20 BY - ALL RIGHTS RESERVED.

LOC	DIST	REVISIONS			
P	LTR	DESCRIPTION	DATE	DWN	APVD
AF	50	A4	REVISED PER ECO-13-016234	16OCT13	JR PD



① MATERIAL - 6 NYLON, 150°C, V0
 ② MATERIAL 66 NYLON, V2



BLACK	②	1969507-3
NATURAL	①	1969507-2
COLOR	MATERIAL	PART NO.

THIS DRAWING IS A CONTROLLED DOCUMENT.		DWN JR RUTH 03APR12	TE Connectivity	
DIMENSIONS: mm [INCHES]		CHK PETE DESANTIS 03APR12		
TOLERANCES UNLESS OTHERWISE SPECIFIED:		APVD PETE DESANTIS 03APR12	NAME HOUSING, RECEPTACLE, FLAG FASTON, CLOSED BACK, .250 SERIES	
0 PLC ±		PRODUCT SPEC	SIZE CAGE CODE DRAWING NO RESTRICTED TO	
1 PLC ±		APPLICATION SPEC	A200779 C-1969507	
2 PLC ±0.38 [.015]		WEIGHT	SCALE 4:1 SHEET 1 OF 1 REV A4	
3 PLC ±		Customer Drawing		
4 PLC ±				
ANGLES ±				
FINISH				
SEE TABLE				