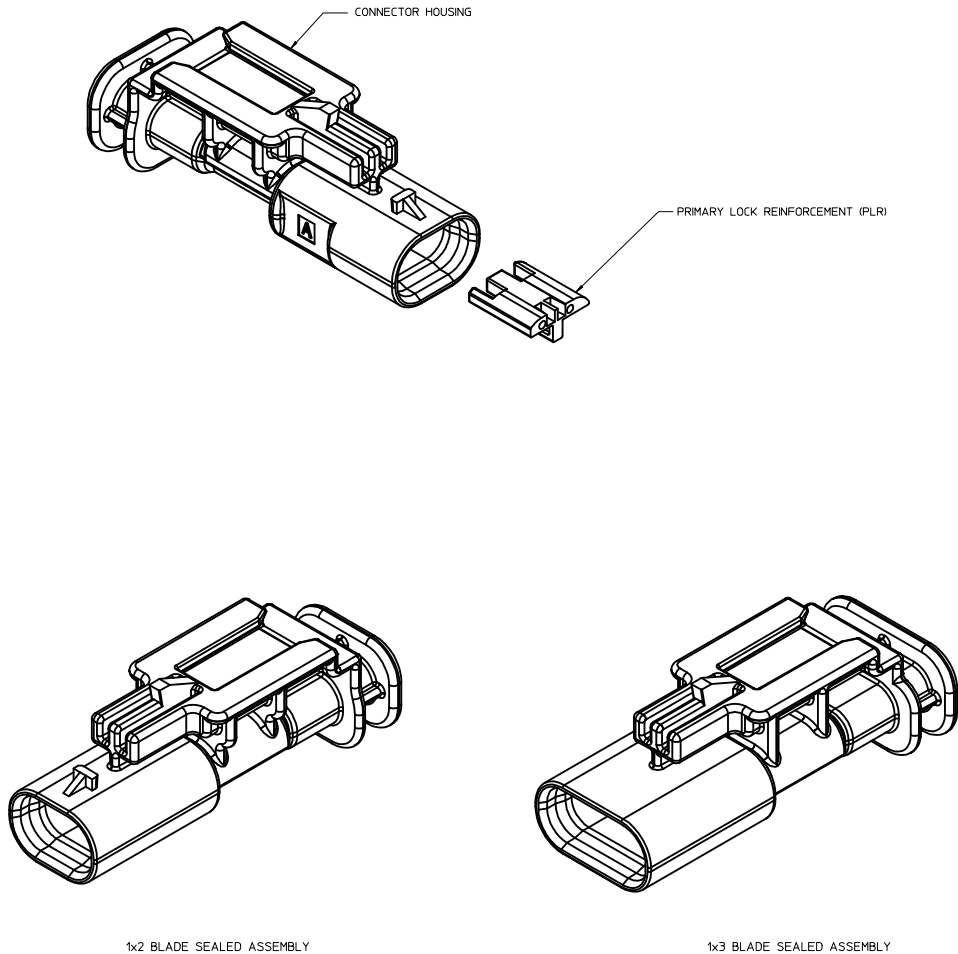


TABLE OF CONTENTS

SHEET NO.	SHEET DESCRIPTION
1	NOTES
2	1x2 BLADE SEALED ASSEMBLY KEYING CONFIGURATIONS
3	1x3 BLADE SEALED ASSEMBLY KEYING CONFIGURATIONS
4	CLIP-SLOT CONFIGURATIONS
5	BLADE SEALED ASSEMBLY
6	CONNECTION SYSTEM PACKAGING
7	1x2 BLADE SEALED ASSEMBLY BOM SHEET 1
8	1x3 BLADE SEALED ASSEMBLY BOM SHEET 1



NOTES: VALID UNLESS OTHERWISE SPECIFIED

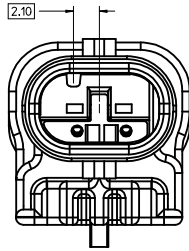
1. GENERAL:
 - a. APPLICATION SPECIFICATION SEE: AS-34900-0001
CONTAINS: PRODUCT INTRODUCTION, PRODUCT SUMMARY, CONNECTOR ASSEMBLY, PACKAGING INFORMATION, CONNECTOR MATING, SERVICE INSTRUCTIONS, ELECTRICAL CONTINUITY CHECKING, CRIMPING, AND TROUBLESHOOTING.
 - b. PRODUCT SPECIFICATION SEE: PS-34900-0001
CONTAINS: PRODUCT INTRODUCTION, PRODUCT SUMMARY, RATINGS (CURRENT, TEMPERATURE, SEALING, AND FLAMMABILITY), AND PRODUCT VALIDATION.
 - c. PACKAGING SPECIFICATION PER MOLEX DRAWING: PK-31301-898
 - d. PARTS MUST BE IN COMPLIANCE TO MOLEX CHEMICAL SUBSTANCES FOR PRODUCTS AND PACKAGING SPECIFICATION: ES-40000-5016
 - e. DATA MUST BE SUBMITTED UNDER THE MOLEX PART NUMBER TO IMDS (COMPANY ID#13255)
2. DESIGN - MATERIALS:
 - a. SEE BOM TABLE
3. DESIGN - GEOMETRY:
 - a. THIS IS A 100% CAD GENERATED PART. THE CAD MATHEMATICAL DATA IS THE MASTER FOR THIS PART. FOR DIMENSIONAL OR ANY INFORMATION NOT SHOWN ON THIS DRAWING, ANALYZE THE CAD MODEL.
 - b. GEOMETRIC DIMENSIONS AND TOLERANCES PER ASME Y14.5M - 1994
 - c. EDGES AND UNDIMENSIONED DETAILS PER ISO13715
 - d. CORNERS SHOWN AS SHARP TO BE R 0.2 MAX.
 - e. LETTERING SHALL BE 0.15 MAX RAISED IN 0.25 MAX RECESS PAD. THIS INCLUDES RECYCLING CODE, CAVITY ID, VENDOR IDENTIFICATION.
 - f. VISUAL DEFECTS SHALL MEET COSMETIC STANDARD PS-45499-002 (Class B)
 - g. LASER MARKING:
 1. PART NUMBER
 2. DAY OF THE YEAR
 3. SHIFT
 4. YEAR

INSPECTION NUMBER LOG
LAST NUMBER USED:
ADDED:
REMOVED:

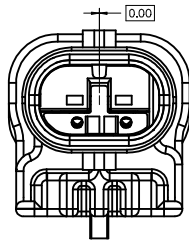
REV	DESCRIPTION
A6	ADDED 40G CLIP-SLOT PART NUMBERS
A5	BOM CORRECTIONS AND UPDATES
A4	BOM CORRECTIONS AND UPDATES
A3	1x2, 1x3 NON-SIR PART# OK TO TOOL
A2	ADDED 1x3 11mm CLIP-SLOT PART #
A	ADDED BLACK PART# AND MINOR BOM UPDATES
6	ADDED CLIP SLOT CONFIGURATIONS
5	1x3 BOM UPDATED
4	1X3 INLINE ASSY VIEWS ADDED
3	MINOR BOM CORRECTIONS
2	UPDATED PACKAGING DIMENSIONS
1	INITIAL RELEASE

1x3 VIEWS ADDED IEC NO: 04U2015-0480 DRAWN BY: ANJANAMBROU2014/09/24 CHKD: APPR: VIKASHY 2014/09/25 REV	QUALITY SYMBOLS	GENERAL TOLERANCES (UNLESS SPECIFIED)	DIMENSION STYLE	SCALE	DESIGN UNITS	THIRD ANGLE PROJECTION	TITLE	DOCUMENT NO.	SHEET NO.	
	∇=0 ∇=0 ∇=0	4 PLACES ±--- ±--- 3 PLACES ±--- ±--- 2 PLACES ±0.10 ±--- 1 PLACE ±0.20 ±--- 0 PLACE ±0.50 ±	mm INCH mm INCH mm INCH	MM ONLY	4:1	METRIC		12MM 1X2, 1X3 BLADE SEALED ASSEMBLY CABLE SEAL	SD-34899-0001	1 OF 8
	DRAFT WHERE APPLICABLE MUST REMAIN WITHIN DIMENSIONS	ANGULAR ± 3 °	DRAWN BY: SKRAJENDRANA 2013/11/06 CHECKED BY: DATE APPROVED BY: DATE	MATERIAL NO. SEE BOM SIZE D						
	THIS DRAWING CONTAINS INFORMATION THAT IS PROPRIETARY TO MOLEX INCORPORATED AND SHOULD NOT BE USED WITHOUT WRITTEN PERMISSION									

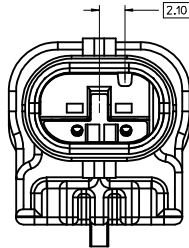
1x2 BLADE SEALED ASSEMBLY KEYING CONFIGURATIONS. FOR PART NUMBERS REFER TO BOM SHEET.



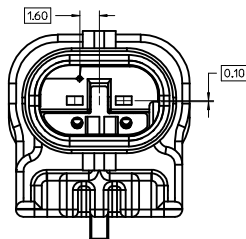
KEYING OPTION A



KEYING OPTION B



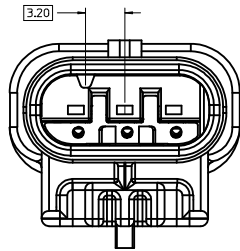
KEYING OPTION C



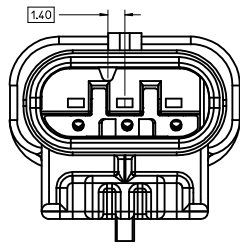
KEYING OPTION E

1x3 VIEWS ADDED IEC NO: UAU2015-0480 DRAWN: VANSIAMBROU/2014/09/24 CHKD: APPR: VKOSHY 2014/09/25 REVISIONS	QUALITY SYMBOLS	GENERAL TOLERANCES (UNLESS SPECIFIED)	DIMENSION STYLE	SCALE	DESIGN UNITS	THIRD ANGLE PROJECTION	
	▽=0	4 PLACES ± mm ± INCH	MM ONLY	5:1	METRIC	☉	
	▽=0	3 PLACES ± 0.10 ± --- ± ---					
	▽=0	2 PLACES ± 0.20 ± --- ± ---					
		0 PLACE ± 0.50 ± --- ± ---					
		ANGULAR ± 3 °					
		DRAFT WHERE APPLICABLE MUST REMAIN WITHIN DIMENSIONS					
			MATERIAL NO.		DOCUMENT NO.	SHEET NO.	
			SEE BOM		SD-34899-2001	2 OF 8	
			THIS DRAWING CONTAINS INFORMATION THAT IS PROPRIETARY TO MOLEX INCORPORATED AND SHOULD NOT BE USED WITHOUT WRITTEN PERMISSION				

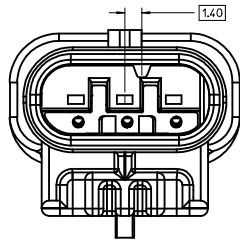
1x3 BLADE SEALED ASSEMBLY KEYING CONFIGURATIONS. FOR PART NUMBERS REFER TO BOM SHEET.



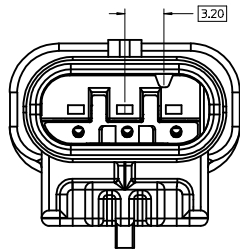
KEYING OPTION A



KEYING OPTION B



KEYING OPTION C

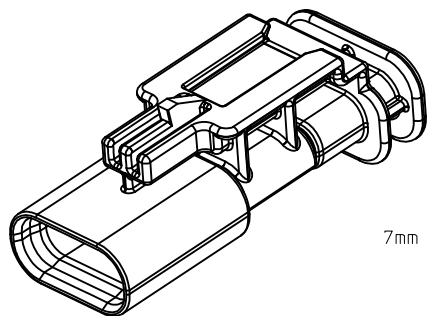


KEYING OPTION D

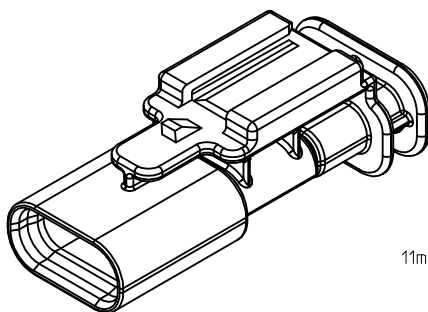
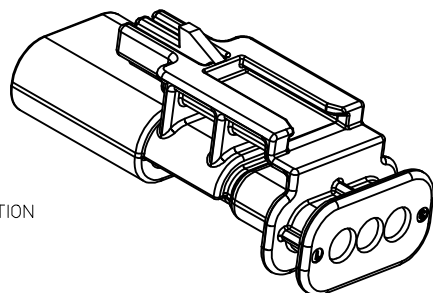
1x3 VIEWS ADDED IEC NO: UAU2015-0480 DRAWN: VANSIAMBROU/2014/09/24 CHKD: APPR: VKOSHY 2014/09/25 REVISIONS	QUALITY SYMBOLS	GENERAL TOLERANCES (UNLESS SPECIFIED)	DIMENSION STYLE	SCALE	DESIGN UNITS	THIRD ANGLE PROJECTION
	▽=0	mm INCH	MM ONLY	5:1	METRIC	☉
	▽=0	4 PLACES ± --- ± --- 3 PLACES ± --- ± --- 2 PLACES ± 0.10 ± --- 1 PLACE ± 0.20 ± --- 0 PLACE ± 0.50 ±	DRAWN BY DATE SKRA JENDRANA 2013/11/06	CHECKED BY DATE	TITLE 12MM 1X2, 1X3 BLADE SEALED ASSEMBLY CABLE SEAL	
	▽=0	ANGULAR ± 3 ° DRAFT WHERE APPLICABLE MUST REMAIN WITHIN DIMENSIONS	APPROVED BY DATE	MATERIAL NO. SEE BOM	DOCUMENT NO. SD-34899-2001	SHEET NO. 3 OF 8

THIS DRAWING CONTAINS INFORMATION THAT IS PROPRIETARY TO MOLEX INCORPORATED AND SHOULD NOT BE USED WITHOUT WRITTEN PERMISSION

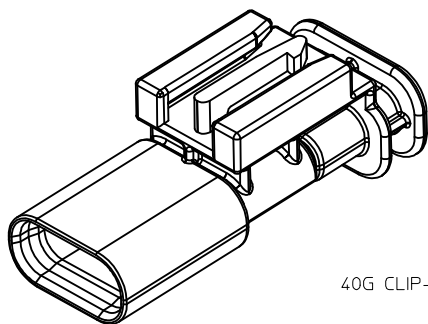
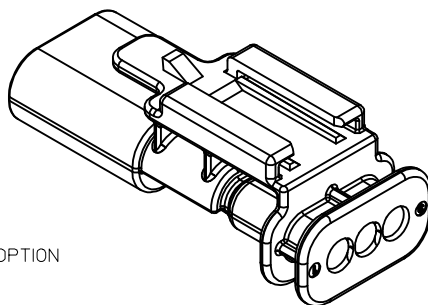
CLIP-SLOT CONFIGURATIONS. FOR PART NUMBERS REFER TO BOM SHEET.



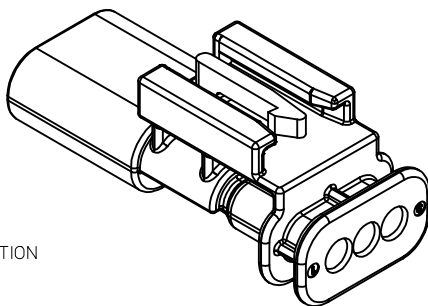
7mm CLIP-SLOT OPTION



11mm CLIP-SLOT OPTION



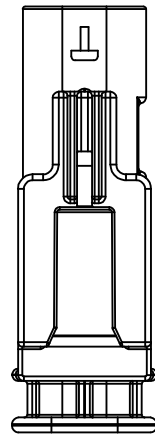
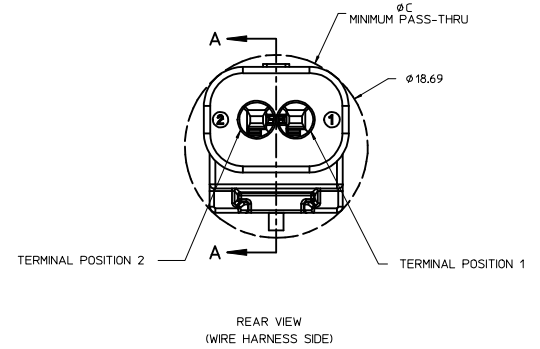
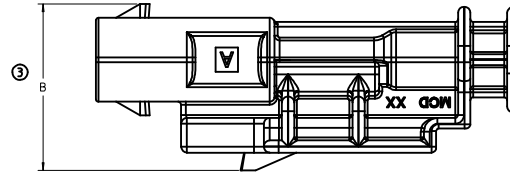
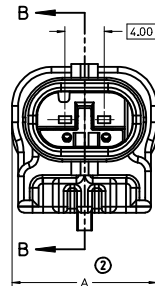
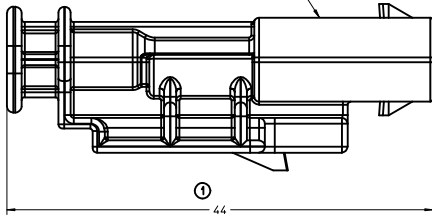
40G CLIP-SLOT OPTION



ENTER DESCRIPTION IEC NO: UAU2015-0480 DRAWN BY: ANS/AMBROU/2014/09/24 CHKD: APPR: VKOSHY 2014/09/25 REV:	QUALITY SYMBOLS	GENERAL TOLERANCES (UNLESS SPECIFIED)	DIMENSION STYLE	SCALE	DESIGN UNITS	THIRD ANGLE PROJECTION
	▽=0	mm INCH	MM ONLY	4:1	METRIC	☉
	▽=0	4 PLACES ± --- ± ---	DRAWN BY DATE			
	▽=0	3 PLACES ± --- ± ---	SKRA JENDRANA 2013/11/06			
	2 PLACES ± 0.10 ± ---	CHECKED BY DATE				TITLE
	1 PLACE ± 0.20 ± ---	APPROVED BY DATE				12MM 1X2, 1X3 BLADE SEALED ASSEMBLY CABLE SEAL
	0 PLACE ± 0.50 ±					molex
	ANGULAR ± 3 °	MATERIAL NO.				DOCUMENT NO.
	DRAFT WHERE APPLICABLE MUST REMAIN WITHIN DIMENSIONS	SEE BOM				SD-34899-2001
		SIZE				SHEET NO.
		D THIS DRAWING CONTAINS INFORMATION THAT IS PROPRIETARY TO MOLEX INCORPORATED AND SHOULD NOT BE USED WITHOUT WRITTEN PERMISSION				4 OF 8

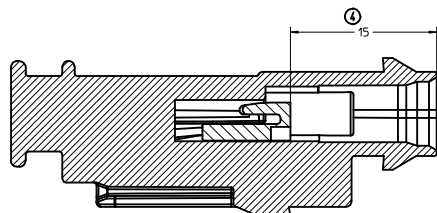
BLADE SEALED ASSEMBLY

LASER MARKING ON THIS SURFACE SEE NOTE 3g



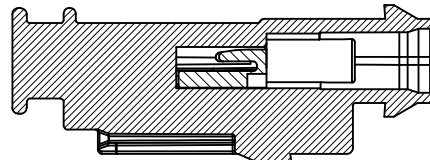
1x3 BLADE SEALED ASSEMBLY, 40G CLIP SLOT	TBD	TBD	TBD
1x3 BLADE SEALED ASSEMBLY, 11mm CLIP SLOT	19	16	21
1x3 BLADE SEALED ASSEMBLY, 7mm CLIP SLOT	19	17	21.5
1x2 BLADE SEALED ASSEMBLY, 40G CLIP SLOT	TBD	TBD	TBD
1x2 BLADE SEALED ASSEMBLY, 11mm CLIP SLOT	TBD	TBD	TBD
1x2 BLADE SEALED ASSEMBLY, 7mm CLIP SLOT	15	17	19.75
CONFIGURATION	A	B	C

CHARTED DIMENSIONS



PRIMARY LOCK REINFORCEMENT (PLR) SHOWN IN THE PRE-STAGED POSITION

SECTION B-B

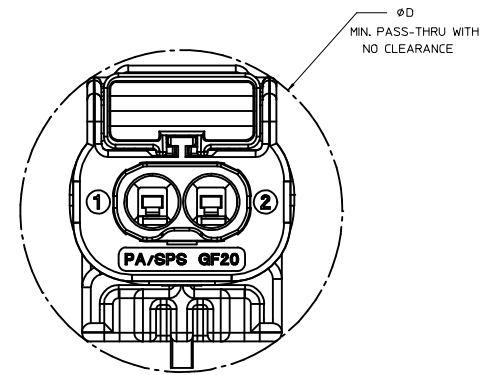
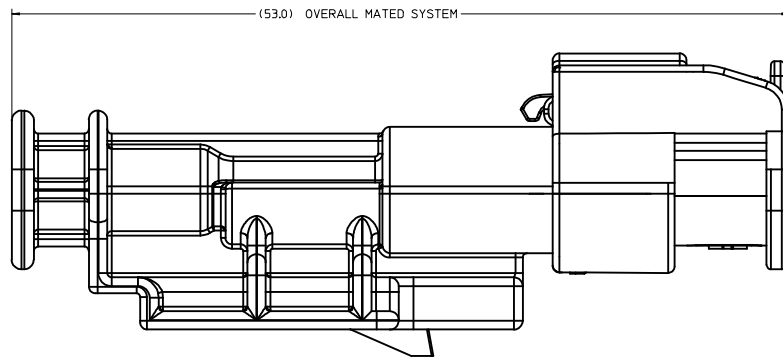


PRIMARY LOCK REINFORCEMENT (PLR) SHOWN IN THE FINAL-LOCK POSITION

SECTION A-A

<p>1x3 VIEWS ADDED IEC NO: UAU2015-0480 DRAWN/ANSI/AMPROU/2014/09/24 CHKD: APPR:VKOSHY 2014/09/25</p>	QUALITY SYMBOLS	GENERAL TOLERANCES (UNLESS SPECIFIED)	DIMENSION STYLE	SCALE	DESIGN UNITS	THIRD ANGLE PROJECTION	
	<p>▽=0 4 PLACES ± --- ± --- 3 PLACES ± --- ± --- 2 PLACES ± 0.10 ± --- 1 PLACE ± 0.20 ± --- 0 PLACE ± 0.50 ±</p>	<p>mm INCH</p>	MM ONLY	4:1	METRIC		
	<p>▽=0 4 PLACES ± --- ± --- 3 PLACES ± --- ± --- 2 PLACES ± 0.10 ± --- 1 PLACE ± 0.20 ± --- 0 PLACE ± 0.50 ±</p>	<p>ANGULAR ± 3 °</p>	<p>DRAWN BY DATE SKRAJENDRANA 2013/11/06</p>	<p>DATE</p>	<p>TITLE 12MM 1X2, 1X3 BLADE SEALED ASSEMBLY CABLE SEAL</p>	<p>DOCUMENT NO. SD-34899-2001</p>	<p>SHEET NO. 5 OF 8</p>
	<p>DRAFT WHERE APPLICABLE MUST REMAIN WITHIN DIMENSIONS</p>	<p>MATERIAL NO. SEE BOM</p>	<p>THIS DRAWING CONTAINS INFORMATION THAT IS PROPRIETARY TO MOLEX INCORPORATED AND SHOULD NOT BE USED WITHOUT WRITTEN PERMISSION</p>				

CONNECTION SYSTEM PACKAGING



1x3 RECEPTACLE MATED TO 1x3 BLADE, 40 CLIP SLOT	TBD
1x3 RECEPTACLE MATED TO 1x3 BLADE, 11mm CLIP SLOT	24.0
1x3 RECEPTACLE MATED TO 1x3 BLADE, 7mm CLIP SLOT	23.0
1x2 RECEPTACLE MATED TO 1x2 BLADE, 40G CLIP SLOT	TBD
1x2 RECEPTACLE MATED TO 1x2 BLADE, 11mm CLIP SLOT	TBD
1x2 RECEPTACLE MATED TO 1x2 BLADE, 7mm CLIP SLOT	23.0
1.2mm CONNECTION SYSTEM CONFIGURATION	D

CHARTED DIMENSIONS

ENTER DESCRIPTION IEC NO. UAU2015-0480 DRAWING/ANSI/MBROU/2014/09/24 CHKD: APPR:VKOSHY 2014/09/25	QUALITY SYMBOLS ∇=0 ∇=0 ∇=0	GENERAL TOLERANCES (UNLESS SPECIFIED) <table border="1"> <tr> <th></th> <th>mm</th> <th>INCH</th> </tr> <tr> <td>4 PLACES</td> <td>± ---</td> <td>± ---</td> </tr> <tr> <td>3 PLACES</td> <td>± ---</td> <td>± ---</td> </tr> <tr> <td>2 PLACES</td> <td>± 0.10</td> <td>± ---</td> </tr> <tr> <td>1 PLACE</td> <td>± 0.20</td> <td>± ---</td> </tr> <tr> <td>0 PLACE</td> <td>± 0.50</td> <td>±</td> </tr> </table> ANGULAR ± 3 ° DRAFT WHERE APPLICABLE MUST REMAIN WITHIN DIMENSIONS		mm	INCH	4 PLACES	± ---	± ---	3 PLACES	± ---	± ---	2 PLACES	± 0.10	± ---	1 PLACE	± 0.20	± ---	0 PLACE	± 0.50	±	DIMENSION STYLE MM ONLY	SCALE 6:1	DESIGN UNITS METRIC	THIRD ANGLE PROJECTION
				mm	INCH																			
4 PLACES	± ---	± ---																						
3 PLACES	± ---	± ---																						
2 PLACES	± 0.10	± ---																						
1 PLACE	± 0.20	± ---																						
0 PLACE	± 0.50	±																						
DRAWN BY SKRA JENDRANA	DATE 2013/11/06	CHECKED BY DATE	APPROVED BY DATE	MATERIAL NO. SEE BOM	DOCUMENT NO. SD-34899-2001	SHEET NO. 6 OF 8																		

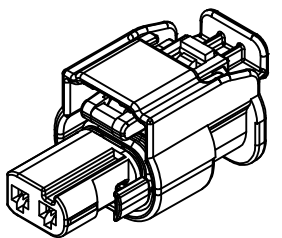
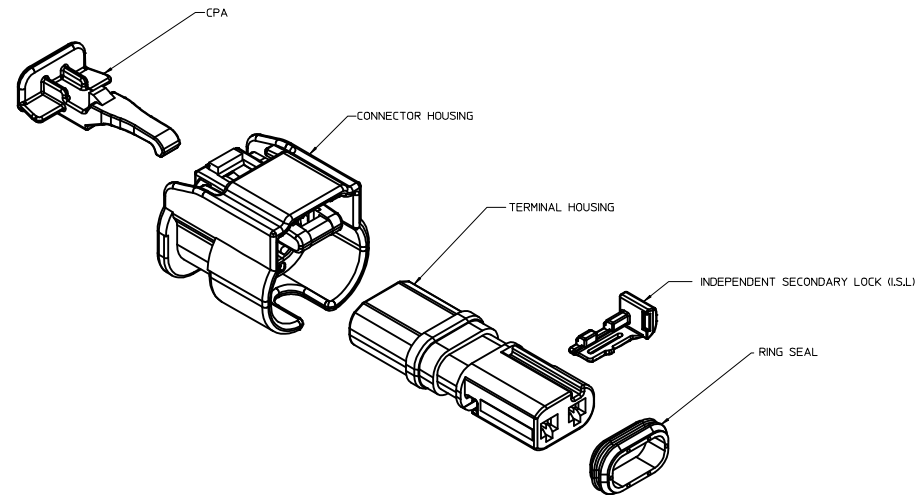
12MM 1X2, 1X3 BLADE SEALED ASSEMBLY CABLE SEAL

molex

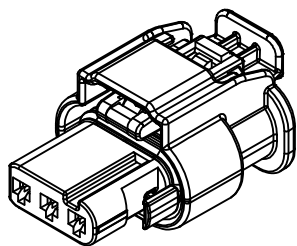
THIS DRAWING CONTAINS INFORMATION THAT IS PROPRIETARY TO MOLEX INCORPORATED AND SHOULD NOT BE USED WITHOUT WRITTEN PERMISSION

TABLE OF CONTENTS

SHEET NO.	SHEET DESCRIPTION
1	NOTES
2	1x2 RECEPTACLE SEALED ASSEMBLY KEYING CONFIGURATIONS
3	1x3 RECEPTACLE SEALED ASSEMBLY KEYING CONFIGURATIONS
4	RECEPTACLE SEALED ASSEMBLY
5	1x2 RECEPTACLE SEALED ASSEMBLY BOM SHEET 1
6	1x3 RECEPTACLE SEALED ASSEMBLY BOM SHEET 1



1x2 RECEPTACLE SEALED ASSEMBLY



1x3 RECEPTACLE SEALED ASSEMBLY

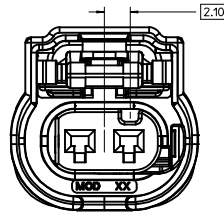
NOTES: VALID UNLESS OTHERWISE SPECIFIED

1. GENERAL:
 - a. APPLICATION SPECIFICATION SEE: AS-34900-0001
CONTAINS: PRODUCT INTRODUCTION, PRODUCT SUMMARY, CONNECTOR ASSEMBLY, PACKAGING INFORMATION, CONNECTOR MATING, SERVICE INSTRUCTIONS, ELECTRICAL CONTINUITY CHECKING, CRIMPING, AND TROUBLESHOOTING.
 - b. PRODUCT SPECIFICATION SEE: PS-34900-0001
CONTAINS: PRODUCT INTRODUCTION, PRODUCT SUMMARY, RATINGS (CURRENT, TEMPERATURE, SEALING, AND FLAMMABILITY), AND PRODUCT VALIDATION.
 - c. PACKAGING SPECIFICATION PER MOLEX DRAWING: PK-31301-898
 - d. PARTS MUST BE IN COMPLIANCE TO MOLEX CHEMICAL SUBSTANCES FOR PRODUCTS AND PACKAGING SPECIFICATION: ES-40000-5016
 - e. DATA MUST BE SUBMITTED UNDER THE MOLEX PART NUMBER TO IMDS (COMPANY ID#13255)
 - f. DESIGNED TO MATE WITH DEVICE CONNECTION AS SPECIFIED IN BOM. AVAILABLE AT <http://ewcap.uscarteams.org/>.
2. DESIGN - MATERIALS:
 - a. SEE BOM TABLE
3. DESIGN - GEOMETRY:
 - a. THIS IS A 100% CAD GENERATED PART. THE CAD MATHEMATICAL DATA IS THE MASTER FOR THIS PART. FOR DIMENSIONAL OR ANY INFORMATION NOT SHOWN ON THIS DRAWING, ANALYZE THE CAD MODEL.
 - b. GEOMETRIC DIMENSIONS AND TOLERANCES PER ASME Y14.5M - 1994
 - c. EDGES AND UNDIMENSIONED DETAILS PER ISO13715
 - d. CORNERS SHOWN AS SHARP TO BE R 0.2 MAX.
 - e. LETTERING SHALL BE 0.15 MAX RAISED IN 0.25 MAX RECESS PAD. THIS INCLUDES RECYCLING CODE, CAVITY ID AND VENDOR IDENTIFICATION. VISUAL DEFECTS SHALL MEET COSMETIC STANDARD PS-45499-002 (Class B)
9. LASER MARKING:
 1. PART NUMBER
 2. DAY OF THE YEAR
 3. SHIFT
 4. YEAR

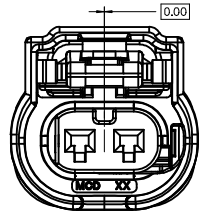
REV	DESCRIPTION
A5	BOM CORRECTIONS AND UPDATES
A4	BOM CORRECTIONS AND UPDATES
A3	1x2, 1x3 NON-SIR OK TO TOOL
A2	MINOR BOM CORRECTIONS
A1	ADDED COMPONENTS TO BOM
A	ADDED BLACK PART NUMBERS AND MINOR BOM UPDATES
3	ADDED 1x3
2	MINOR BOM CORRECTIONS
1	INITIAL RELEASE

ENTER DESCRIPTION IEC NO: UAU2014-1911 DRAWINGS: 2014/06/13 CHKD: APPR:KOSHYI APPR:KOSHYI 2014/06/13 2014/06/13	QUALITY SYMBOLS ∇=0 ∇=0 ∇=0	GENERAL TOLERANCES (UNLESS SPECIFIED)		DIMENSION STYLE MM ONLY		SCALE 4:1	DESIGN UNITS METRIC	THIRD ANGLE PROJECTION		
		4 PLACES ±--- ±--- 3 PLACES ±--- ±--- 2 PLACES ±0.10 ±--- 1 PLACE ±0.20 ±--- 0 PLACE ±0.50 ±---	mm INCH	DRAWN BY SKRAJENDRANA 2013/11/06	DATE	TITLE 12MM 1X2, 1X3 RECEPTACLE SEALED ASSEMBLY CABLE SEAL				
		DRAFT WHERE APPLICABLE MUST REMAIN WITHIN DIMENSIONS		APPROVED BY DATE	MATERIAL NO. SEE BOM	DOCUMENT NO. SD-34900-2001	SHEET NO. 1 OF 6			
		THIS DRAWING CONTAINS INFORMATION THAT IS PROPRIETARY TO MOLEX INCORPORATED AND SHOULD NOT BE USED WITHOUT WRITTEN PERMISSION								

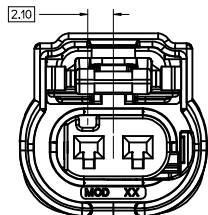
1x2 RECEPTACLE SEALED ASSEMBLY KEYING CONFIGURATIONS. FOR PART NUMBERS REFER TO BOM SHEET



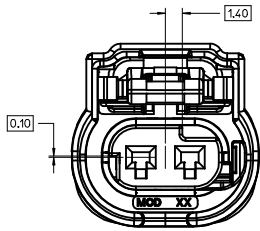
KEYING OPTION A



KEYING OPTION B



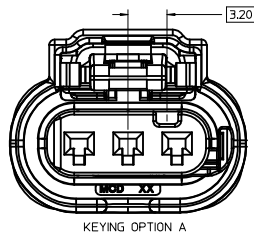
KEYING OPTION C



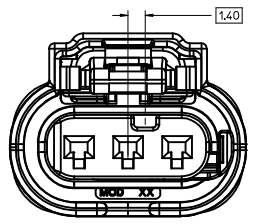
KEYING OPTION E

ENTER DESCRIPTION IEC NO: UAU2014-1911 DRAWN BY: 2014/06/13 CHYD: APPR: VKOSHY 2014/06/13 REVISIONS 1 2 3 4 5 6 7 8 9 10 11 12 13 14 15 16 17 18 19 20	QUALITY SYMBOLS	GENERAL TOLERANCES (UNLESS SPECIFIED)	DIMENSION STYLE	SCALE	DESIGN UNITS	THIRD ANGLE PROJECTION
	$\nabla=0$ $\nabla=0$ $\nabla=0$	4 PLACES ± mm ± INCH 3 PLACES ± mm ± INCH 2 PLACES ± 0.10 ± mm ± INCH 1 PLACE ± 0.20 ± mm ± INCH 0 PLACE ± 0.50 ± mm ± INCH	MM ONLY	5:1	METRIC	
	DRAWN BY: SKRA JENDRANA 2013/11/06 CHECKED BY: MYANSLAMBROU 2013/11/06 APPROVED BY:	ANGULAR ± 3 ° DRAFT WHERE APPLICABLE MUST REMAIN WITHIN DIMENSIONS	MATERIAL NO: SEE BOM	TITLE: 12MM 1X2. 1X3 RECP.T. SEALED ASSEMBLY CABLE SEAL	DOCUMENT NO: SD-34900-2001	SHEET NO: 2 OF 6
	SIZE: D	THIS DRAWING CONTAINS INFORMATION THAT IS PROPRIETARY TO MOLEX INCORPORATED AND SHOULD NOT BE USED WITHOUT WRITTEN PERMISSION				

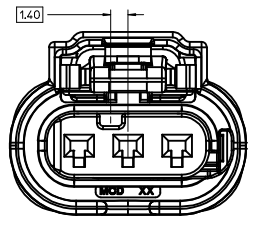
1x3 RECEPTACLE SEALED ASSEMBLY KEYING CONFIGURATIONS, FOR PART NUMBERS REFER TO BOM SHEET



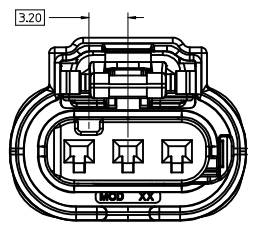
KEYING OPTION A



KEYING OPTION B

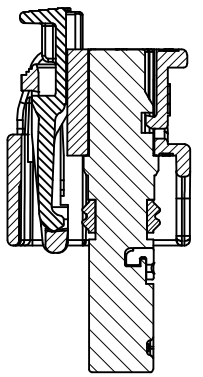
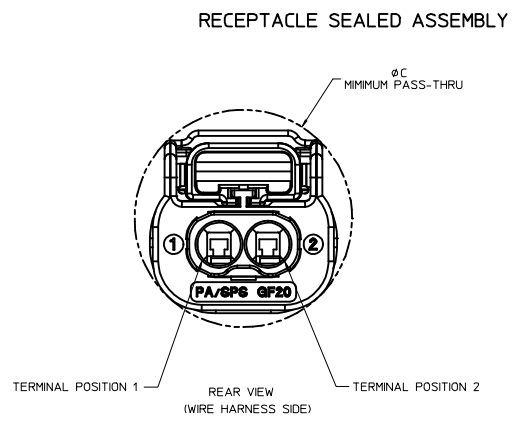
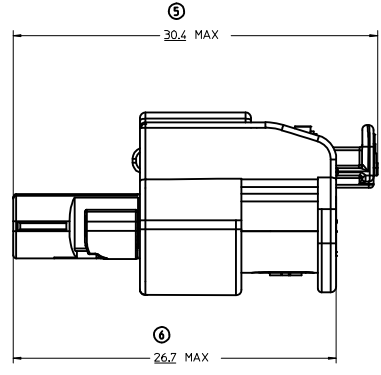
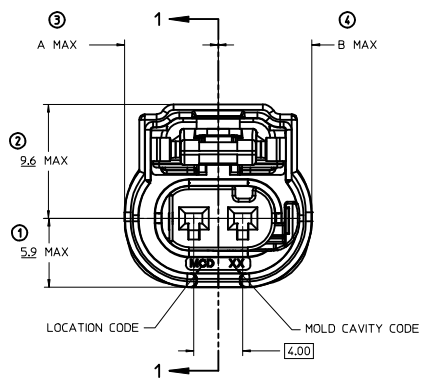
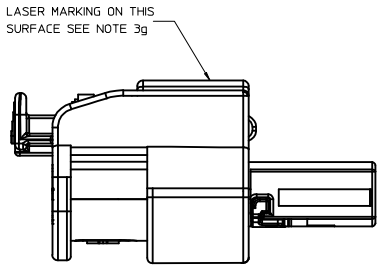


KEYING OPTION C

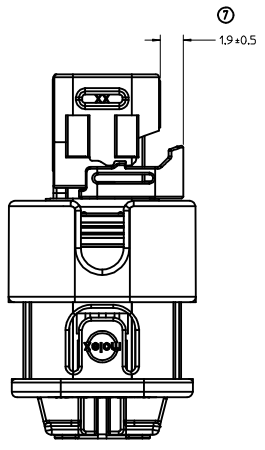


KEYING OPTION D

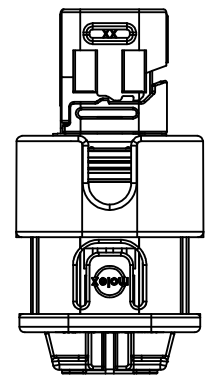
ENTER DESCRIPTION IEC NO: UAU2014-1911 DRAWN BY: 2014/06/13 CHYK: APPR: WOSHY 2014/06/13 REV:	QUALITY SYMBOLS	GENERAL TOLERANCES (UNLESS SPECIFIED)	DIMENSION STYLE	SCALE	DESIGN UNITS	THIRD ANGLE PROJECTION	
	▽=0	4 PLACES ± mm ± INCH	MM ONLY	5:1	METRIC	☉	
	▽=0	3 PLACES ± 0.10 ± --- ± ---					
	▽=0	2 PLACES ± 0.20 ± --- ± ---					
		1 PLACE ± 0.50 ± --- ± ---					
		0 PLACE ± 0.50 ± --- ± ---					
		ANGULAR ± 3 °					
		DRAFT WHERE APPLICABLE MUST REMAIN WITHIN DIMENSIONS					
			MATERIAL NO.		DOCUMENT NO.	SHEET NO.	
			SEE BOM		SD-34900-2001	3 OF 6	
			THIS DRAWING CONTAINS INFORMATION THAT IS PROPRIETARY TO MOLEX INCORPORATED AND SHOULD NOT BE USED WITHOUT WRITTEN PERMISSION				



SECTION 1-1



INDEPENDENT SECONDARY LOCK (ISL)
SHOWN IN THE PRE-STAGED POSITION



INDEPENDENT SECONDARY LOCK (ISL)
SHOWN IN THE FINAL-LOCK POSITION

1x3 RECEPTACLE SEALED ASSEMBLY	10.0	10.0	20.75
1x2 RECEPTACLE SEALED ASSEMBLY	8.0	8.0	18.75
CONFIGURATION	A	B	C
CHARTED DIMENSIONS			

ENTER DESCRIPTION IEC NO: UAU2014-1911 DRAWN BY: 2014/06/13 CHKD: APPR: IKOSHY 2014/06/13	QUALITY SYMBOLS	GENERAL TOLERANCES (UNLESS SPECIFIED)	DIMENSION STYLE	SCALE	DESIGN UNITS	THIRD ANGLE PROJECTION
	∇=0 ∇=0 ∇=0	mm INCH 4 PLACES ± --- ± --- 3 PLACES ± --- ± --- 2 PLACES ± 0.10 ± --- 1 PLACE ± 0.20 ± --- 0 PLACE ± 0.50 ± ---	MM ONLY	5:1	METRIC	SKRAJENDRANA 2013/11/06 MYANSLAMBROU 2013/11/06
	ANGULAR ± 3 ° DRAFT WHERE APPLICABLE MUST REMAIN WITHIN DIMENSIONS	MATERIAL NO. SEE BOM	DATE 2013/11/06	TITLE 12MM 1X2, 1X3 RECP. SEALED ASSEMBLY CABLE SEAL	DOCUMENT NO. SD-34900-2001	SHEET NO. 4 OF 6
	THIS DRAWING CONTAINS INFORMATION THAT IS PROPRIETARY TO MOLEX INCORPORATED AND SHOULD NOT BE USED WITHOUT WRITTEN PERMISSION					

1X2 RECEPTACLE SEALED ASSEMBLY BOM SHEET 1

KEY OPTION E	BLACK	STONE GRAY	34900-2023	CHB		E	DESIGN RELEASE		1	2	3	
KEY OPTION C	BLACK	DARK GRAY	34900-2022	CHB		C	DESIGN RELEASE		1	2	3	
KEY OPTION B	BLACK	LIGHT GRAY	34900-2021	CHB	B		OK TO TOOL		1	2	3	
KEY OPTION A	BLACK	BLACK	34900-2020	CHB	A		OK TO TOOL		1	2	3	
KEY OPTION E	YELLOW	STONE GRAY	34900-2004	CHY		E	DESIGN RELEASE		1	2	3	
KEY OPTION C	YELLOW	DARK GRAY	34900-2003	CHY		C	DESIGN RELEASE		1	2	3	
KEY OPTION B	YELLOW	LIGHT GRAY	34900-2002	CHY	B		SALEABLE		1	2	3	
KEY OPTION A	YELLOW	BLACK	34900-2001	CHY	A		SALEABLE		1	2	3	
ASSEMBLY DESCRIPTION	CONNECTOR HOUSING COLOR	TERMINAL HOUSING COLOR	ASSEMBLY PART NUMBER				STATUS	COMMENTS		1	2	3
									RECOMMENDED MATING DEVICE			

RING SEAL	BURNT RED	INHERENTLY LUBRICATED SILICONE
ISL	NATURAL	SPS/NYLON GF20
CPA	RED	PBT GF30
TERMINAL HOUSING KEYING OPTION E	STONE GRAY	SPS/NYLON GF20
TERMINAL HOUSING KEYING OPTION C	DARK GRAY	SPS/NYLON GF20
TERMINAL HOUSING KEYING OPTION B	LT. GRAY	SPS/NYLON GF20
TERMINAL HOUSING KEYING OPTION A	BLACK	SPS/NYLON GF20
CONNECTOR HOUSING	BLACK	SPS/NYLON GF20
CONNECTOR HOUSING	YELLOW	SPS/NYLON GF20
DESCRIPTION	COLOR	MATERIAL
BOM/APPLICABLE COMPONENTS TABLE		

LEGEND TABLE	
ABBREVIATION	COMPONENT
CHY	CONNECTOR HOUSING YELLOW
CHB	CONNECTOR HOUSING BLACK
A	TERMINAL HOUSING KEY A
B	TERMINAL HOUSING KEY B
C	TERMINAL HOUSING KEY C
E	TERMINAL HOUSING KEY E
1	USCAR INTERFACE 120-S-002-1-Z01 SEE NOTE 1f FOR WEBSITE
2	MOLEX INLINE BLADE CONNECTOR SD-34899-2001
3	USCAR INTERFACE 120-S-002-1-Z02 SEE NOTE 1f FOR WEBSITE

ENTER DESCRIPTION IEC NO: UAU2014-1911 DRAWN BY: 2014/06/13 CHYD: APPR: IKOSHY 2014/06/13 REV:	QUALITY SYMBOLS	GENERAL TOLERANCES (UNLESS SPECIFIED)	DIMENSION STYLE	SCALE	DESIGN UNITS	THIRD ANGLE PROJECTION
	▽=0	4 PLACES ± 0.10	MM ONLY	2:1	METRIC	
	▽=0	3 PLACES ± 0.20				
	▽=0	2 PLACES ± 0.50				
		ANGULAR ± 3°	DRAWN BY: SKRAJENDRANA	DATE: 2013/11/06	TITLE: 12MM 1X2. 1X3 RECPT. SEALED ASSEMBLY CABLE SEAL	
		DRAFT WHERE APPLICABLE MUST REMAIN WITHIN DIMENSIONS	CHECKED BY: MYANSLAMBROU	DATE: 2013/11/06	APPROVED BY: DATE:	
			MATERIAL NO. SEE BOM	DOCUMENT NO. SD-34900-2001	SHEET NO. 5 OF 6	
			THIS DRAWING CONTAINS INFORMATION THAT IS PROPRIETARY TO MOLEX INCORPORATED AND SHOULD NOT BE USED WITHOUT WRITTEN PERMISSION			

1X3 RECEPTACLE SEALED ASSEMBLY BOM SHEET 1

KEY OPTION D	BLACK	STONE GRAY	34900-3023	CHB		D	DESIGN RELEASE		1	2	3	
KEY OPTION C	BLACK	DARK GRAY	34900-3022	CHB		C	DESIGN RELEASE		1	2	3	
KEY OPTION B	BLACK	LIGHT GRAY	34900-3021	CHB	B		OK TO TOOL		1	2	3	
KEY OPTION A	BLACK	BLACK	34900-3020	CHB	A		OK TO TOOL		1	2	3	
KEY OPTION D	YELLOW	STONE GRAY	34900-3004	CHY		D	DESIGN RELEASE		1	2	3	
KEY OPTION C	YELLOW	DARK GRAY	34900-3003	CHY		C	DESIGN RELEASE		1	2	3	
KEY OPTION B	YELLOW	LIGHT GRAY	34900-3002	CHY	B		SALEABLE		1	2	3	
KEY OPTION A	YELLOW	BLACK	34900-3001	CHY	A		SALEABLE		1	2	3	
ASSEMBLY DESCRIPTION	CONNECTOR HOUSING COLOR	TERMINAL HOUSING COLOR	ASSEMBLY PART NUMBER				STATUS	COMMENTS		1	2	3

RING SEAL	LIGHT BLUE	INHERENTLY LUBRICATED SILICONE
ISL	NATURAL	SPS/NYLON GF20
CPA	RED	PBT GF30
TERMINAL HOUSING KEYING OPTION D	STONE GRAY	SPS/NYLON GF20
TERMINAL HOUSING KEYING OPTION C	DARK GRAY	SPS/NYLON GF20
TERMINAL HOUSING KEYING OPTION B	LT. GRAY	SPS/NYLON GF20
TERMINAL HOUSING KEYING OPTION A	BLACK	SPS/NYLON GF20
CONNECTOR HOUSING	BLACK	SPS/NYLON GF20
CONNECTOR HOUSING	YELLOW	SPS/NYLON GF20
DESCRIPTION	COLOR	MATERIAL

LEGEND TABLE	
ABREVIATION	COMPONENT
CHY	CONNECTOR HOUSING YELLOW
CHB	CONNECTOR HOUSING BLACK
A	TERMINAL HOUSING KEY A
B	TERMINAL HOUSING KEY B
C	TERMINAL HOUSING KEY C
D	TERMINAL HOUSING KEY D
1	USCAR INTERFACE 120-S-003-1-Z01 SEE NOTE 1f FOR WEBSITE
2	MOLEX INLINE BLADE CONNECTOR SD-34899-2001
3	USCAR INTERFACE 120-S-003-1-Z02 SEE NOTE 1f FOR WEBSITE

ENTER DESCRIPTION ELEC NO: UAU2014-1911 DRAWN BY: 2014/06/13 CHYD: APPR: IKOSHY 2014/06/13 REV: A5	QUALITY SYMBOLS ∇=0 ∇=0 ∇=0	GENERAL TOLERANCES (UNLESS SPECIFIED) mm INCH 4 PLACES ± --- ± --- 3 PLACES ± --- ± --- 2 PLACES ± 0.10 ± --- 1 PLACE ± 0.20 ± --- 0 PLACE ± 0.50 ± ---		DIMENSION STYLE MM ONLY	SCALE DESIGN UNITS METRIC	THIRD ANGLE PROJECTION
		DRAWN BY: SKRAJENDRANA 2013/11/06 CHECKED BY: MYANSLAMBROU 2013/11/06 APPROVED BY:		TITLE 1.2MM 1X2. 1X3 RECPT. SEALED ASSEMBLY CABLE SEAL		MATERIAL NO. SEE BOM
		ANGULAR ± 3 ° DRAFT WHERE APPLICABLE MUST REMAIN WITHIN DIMENSIONS		DOCUMENT NO. SD-34900-2001		SHEET NO. 6 OF 6
		THIS DRAWING CONTAINS INFORMATION THAT IS PROPRIETARY TO MOLEX INCORPORATED AND SHOULD NOT BE USED WITHOUT WRITTEN PERMISSION				