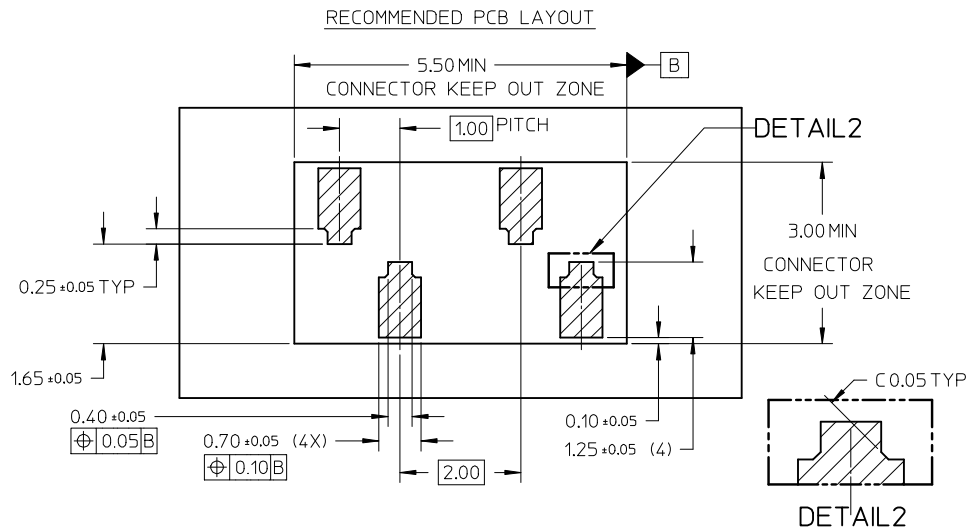
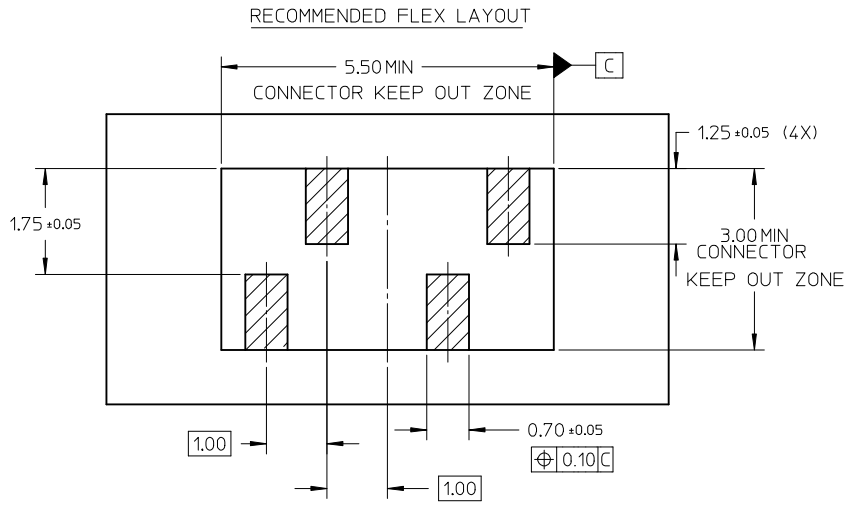
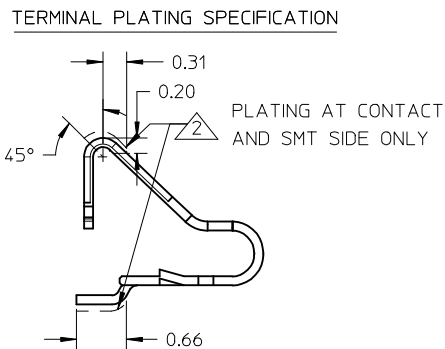
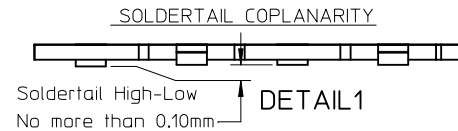
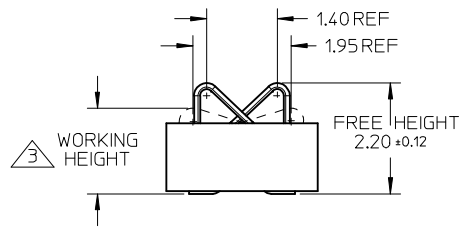
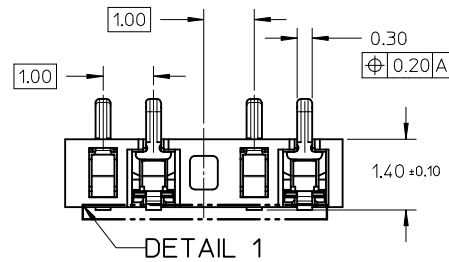
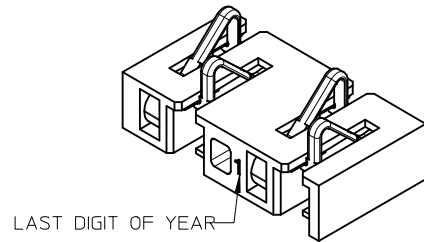
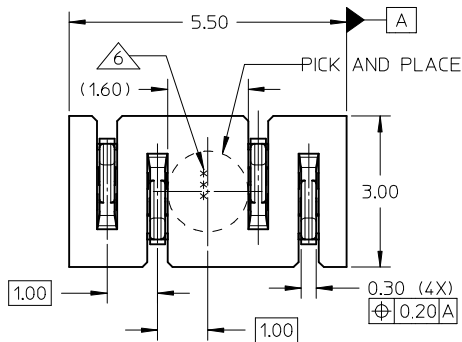


10 9 8 7 6 5 4 3 2 1



NOTES:

- 1. MATERIALS:
HOUSING: LCP,30% GLASS FILLED,COLOUR: BLACK
CONTACT: TITANIUM COPPER TiCu
- 2. FINISH:
CONTACT AREA: 0.38 MICRO-METER(15 MICRO-INCH) MIN. GOLD OVER 1.27 MICRO-METER (50 MICRO-INCH) MIN NICKEL UNDERPLATE.
SMT TAIL AREA: 1.27 MICRO-METER (50 MICRO-INCH MIN.) PURE TIN (MATTE) OVER 1.27 MICRO-METER (50 MICRO-INCH) MIN. NICKEL UNDERPLATE.
OTHER AREA PLATING: 1.27 MICRO-METER (50 MICRO-INCH) MIN NICKEL OVERALL.
- 3. AT 1.63mm WORKING HEIGHT, FORCE IS 50g +25g/-10g AT LOADING CURVE
- 4. PRODUCT SPECIFICATION SEE TBA.
- 5. LAST DIGIT OF THE YEAR TO BE LOCATED.
- 6. DATE CODE TO BE LOCATED.

RELEASED EC NO: S2014-0117 DRINK:JKOH 2013/07/12 CHKD:JESSIECHUA 2013/08/07 APPR:SHONG 2013/08/07	DESCRIPTION A	QUALITY SYMBOLS	GENERAL TOLERANCES (UNLESS SPECIFIED)	DIMENSION STYLE	SCALE	DESIGN UNITS	THIRD ANGLE PROJECTION	
		$F_A=0$ $F_E=0$ $F_P=0$	mm INCH 4 PLACES ± --- ± --- 3 PLACES ± --- ± --- 2 PLACES ± 0.15 ± --- 1 PLACE ± 0.2 ± ---	MM ONLY	NTS	METRIC		
			ANGULAR ± 3 °	DRAWN BY: KJKOH DATE: 2013/05/22	BOARD TO BOARD 4 CIRCUITS COMPRESSION CONNECTOR MOLEX INCORPORATED			
			DRAFT WHERE APPLICABLE MUST REMAIN WITHIN DIMENSIONS	CHECKED BY: JESSIECHUA DATE: 2013/07/25				
			APPROVED BY: SHONG DATE: 2013/08/07	MATERIAL NO. 78732-4001	DOCUMENT NO. SD-78732-401	SHEET NO. 1 OF 1		

9 8 7 6 5 4 3 2 1