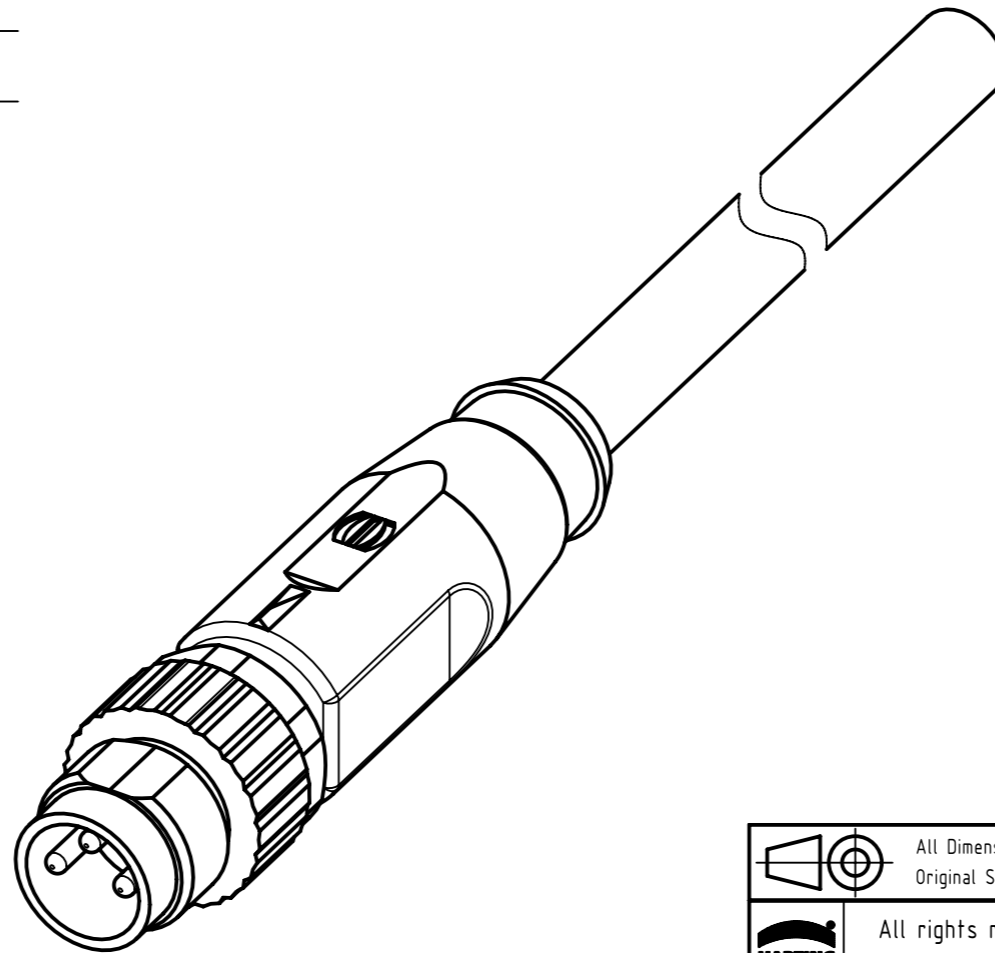


Loading-Plan:

- 1 — brown
- 2 — blue
- 3 — black
- 4 — black

*For Information Only
won't be replaced when changed*



- Protection level: IP67
- Temperature range: -25°C ... +80°C

length in "1m" step	40	XXX=400
	39	XXX=390
	.	.
	12	XXX=120
length in "0,1m" step	11	XXX=110
	10	XXX=100
	9,9	XXX=099
	9,8	XXX=098
	.	.
	0,4	XXX=004
	0,3	XXX=003
	0,2	XXX=002
0,1	XXX=001	
Step	a [m]	XXX

4,0 to 40	+1%
0,1 to 3,9	+0,04
a [m]	Tolerance

Part no.	213480003XXXXX
Type of cable	XX
PVC grey, 3x0,25mm ²	XX=80

	All rights reserved		Scale 2:1		Free size tol.		Ref.	
	Department EC PD - RO		Created by TAMAS	Inspected by	Standardisation	Date 2014-05-20	State Checked Out	
HARTING Electronics GmbH		Title M8 Cable Assembly				Doc-Key / ECM-Nr. 100577956/UGD/009/A		Rev. A
D-32339 Espelkamp		Type TB	Number 213480003XXXXX			Page 1/1		