

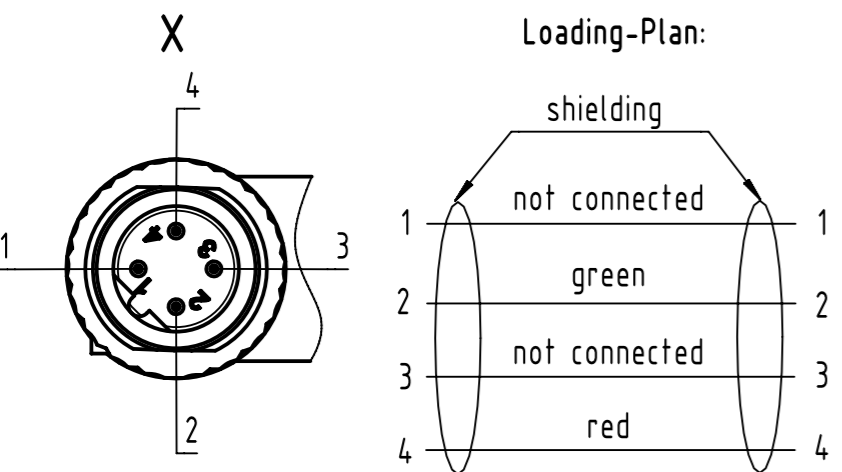
For Information Only
 -won't be replaced when changed-

length in "1m" step	40	XXX=400
	39	XXX=390
	.	.
	12	XXX=120
length in "0.1m" step	11	XXX=110
	10	XXX=100
	9.9	XXX=099
	9.8	XXX=098
	.	.
	0.4	XXX=004
	0.3	XXX=003
	0.2	XXX=002
0.1	XXX=001	
Step	a [m]	XXX

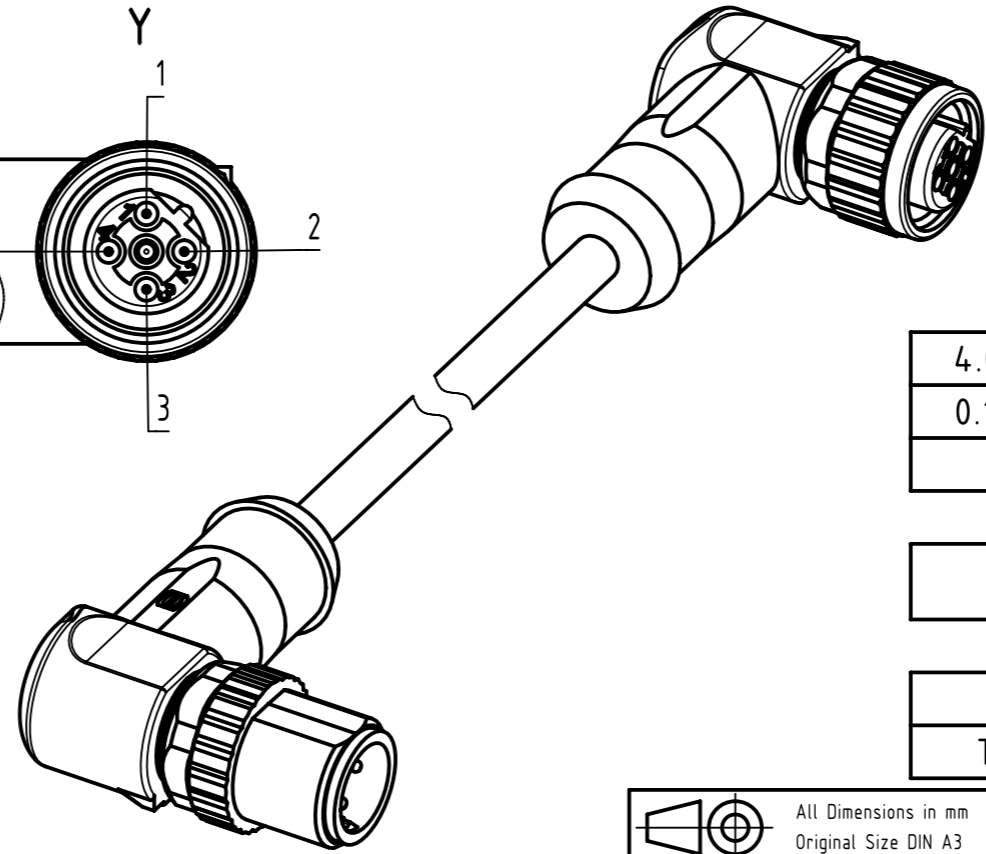
4.0 to 40	+1%
0.1 to 3.9	+0.04
a [m]	Tolerance

Part no. 213490914,XXX,XXX

Type of cable XX
 TPE violet, 2xAWG24 XX=87



- Protection level: IP67
 - Temperature range: -30°C ... +80°C



All Dimensions in mm Original Size DIN A3		Scale 2:1	Free size tol.		Ref.
All rights reserved Department EC PD - RO		Created by TOMUTA	Inspected by	Standardisation	Sub.
HARTING Electronics GmbH D-32339 Espelkamp		Title M12 B-coded Cable Assembly			Doc-Key / ECM-Nr. 100580614/UGD/009/A
		Type TB	Number 213490914,XXX,XXX		Rev. A Page 1/1
		Date 2014-06-12	State Checked Out		