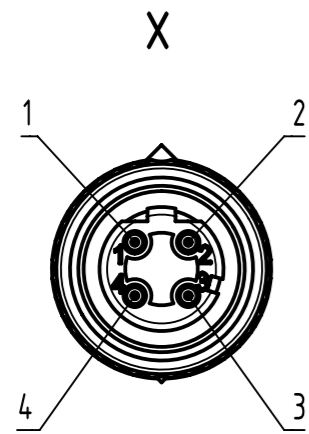
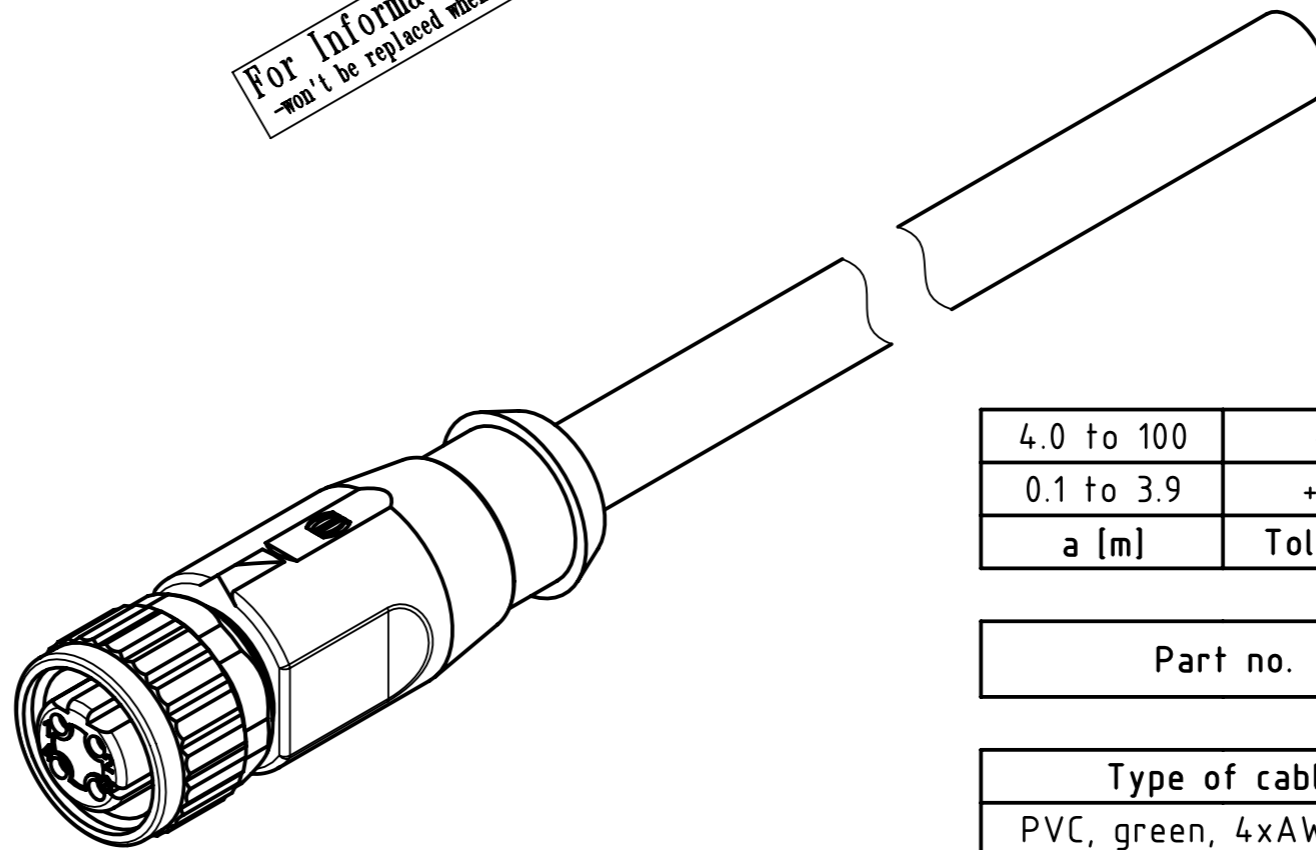
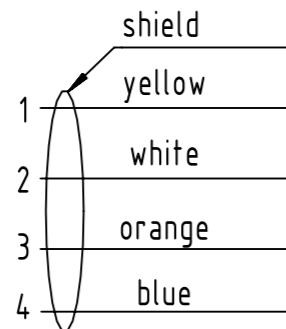


M12 D-coded 4 poles, straight overmolded female connector

**For Information Only**  
-won't be replaced when changed-



Loading-Plan:



length in "1m" step	100	XXX=000
	99	XXX=990
	.	.
	12	XXX=120
length in "0.1m" step	11	XXX=110
	10	XXX=100
	9.9	XXX=099
	9.8	XXX=098
	.	.
	0.4	XXX=004
	0.3	XXX=003
	0.2	XXX=002
	0.1	XXX=001
Step	a [m]	XXX

4.0 to 100	+1%
0.1 to 3.9	+0.04
a [m]	Tolerance

Part no.	213493004XXXXX
----------	----------------

Type of cable	XX
PVC, green, 4xAWG22/7	XX=05
PUR, green, 2x2xAWG22	XX=77

- Protection level: IP67  
- Temperature range: -30°C ... +70°C

All rights reserved Department EC PD - RO		All Dimensions in mm Original Size DIN A3	Scale 1:1	Free size tol.	Ref. Sub.
HARTING Electronics GmbH D-32339 Espelkamp	Created by TOMUTA	Inspected by	Standardisation	Date 2014-08-11	State Checked Out
Title M12 D-coded Cable Assembly				Doc-Key / ECM-Nr. 100588482/UGD/000/A	
Type TB		Number 213493004XXXXX		Rev. A	Page 1/1