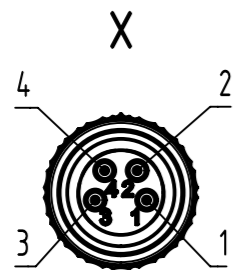


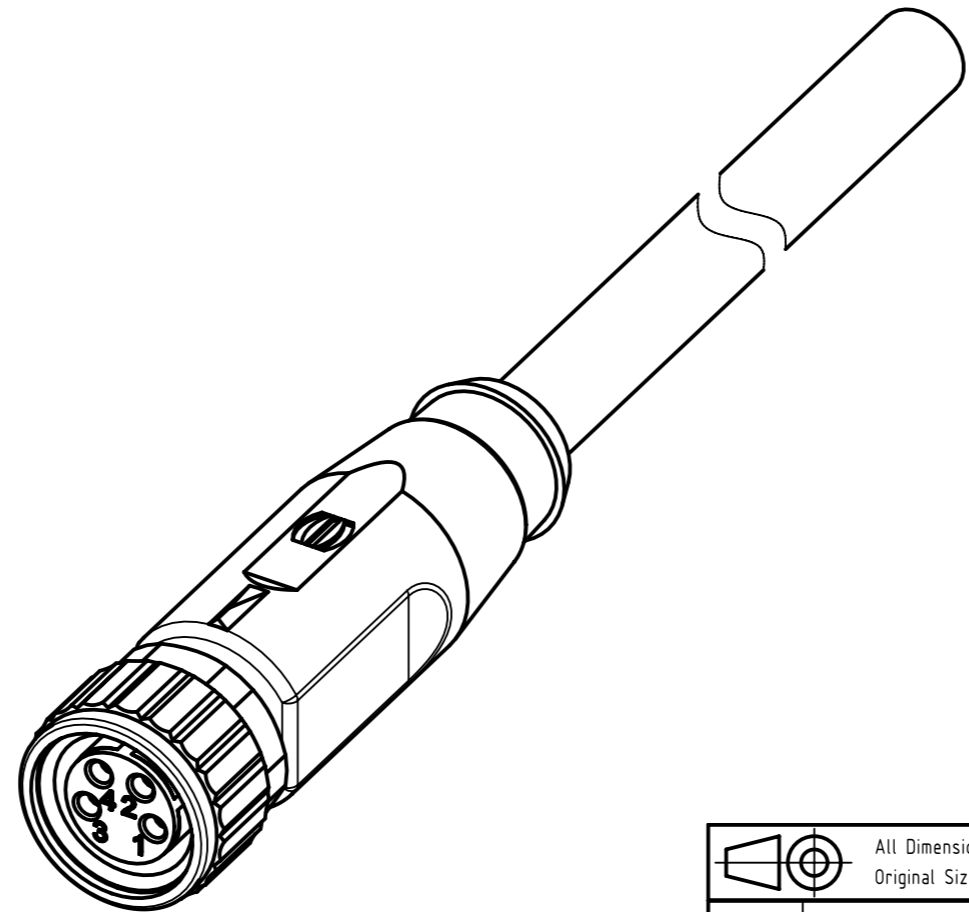
M8 4-poles, female straight connector



Loading-Plan:

- 1 brown
- 2 white
- 3 blue
- 4 black

For Information Only  
won't be replaced when changed



- Protection level: IP67
- Temperature range: -25°C ... +80°C

length in "1m" step	40	XXX=400
	39	XXX=390
	.	.
	12	XXX=120
length in "0,1m" step	11	XXX=110
	10	XXX=100
	9,9	XXX=099
	9,8	XXX=098
	.	.
	0,4	XXX=004
	0,3	XXX=003
	0,2	XXX=002
0,1	XXX=001	
Step	a [m]	XXX

4,0 to 40	+1%
0,1 to 3,9	+0,04
a [m]	Tolerance

Part no.	213481004XXXXX
----------	----------------

Type of cable	XX
PVC grey, 4x0,25mm <sup>2</sup>	XX=81
PUR black, 4x0,25mm <sup>2</sup>	XX=89

	All rights reserved		Created by TAMAS		Inspected by		Standardisation		Date 2014-05-20		State Checked Out	
	Department EC PD - RO		Title M8 Cable Assembly		Doc-Key / ECM-Nr. 100577970/UGD/009/A		Rev. A		Page 1/1			
HARTING Electronics GmbH D-32339 Espelkamp			Type TB	Number 213481004XXXXX								