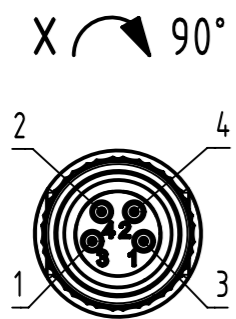


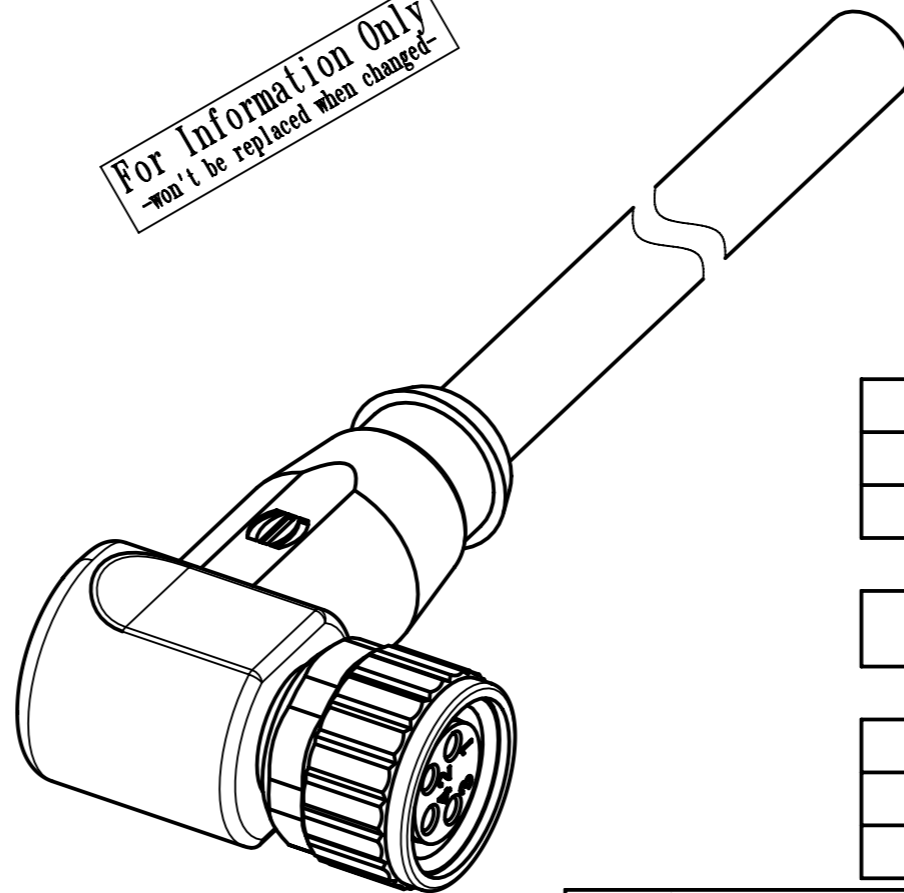
M8 4-poles, female angled connector



Loading-Plan:

- 1 — brown
- 2 — white
- 3 — blue
- 4 — black

For Information Only
won't be replaced when changed



- Protection level: IP67
- Temperature range: -25°C ... +80°C

length in "1m" step	40	XXX=400
	39	XXX=390

	12	XXX=120
	11	XXX=110
length in "0,1m" step	10	XXX=100
	9,9	XXX=099
	9,8	XXX=098

	0,4	XXX=004
	0,3	XXX=003
	0,2	XXX=002
	0,1	XXX=001
Step	a [m]	XXX

4,0 to 40	+1%
0,1 to 3,9	+0,04
a [m]	Tolerance

Part no.	213483004XXXXX
----------	----------------

Type of cable	XX
PVC grey, 4x0,25mm ²	XX=81
PUR black, 4x0,25mm ²	XX=89

	All rights reserved		Scale 2:1		Free size tol.		Ref.	
	Department EC PD - RO		Created by TAMAS	Inspected by	Standardisation	Date 2014-05-19	State Checked Out	
HARTING Electronics GmbH		Title M8 Cable Assembly				Doc-Key / ECM-Nr. 100577978/UGD/009/A		
D-32339 Espelkamp		Type TB	Number 213483004XXXXX			Rev. A	Page 1/1	