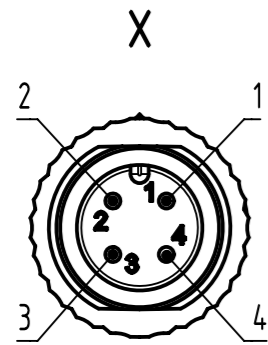


M12 A-coded 4-poles, male straight connector

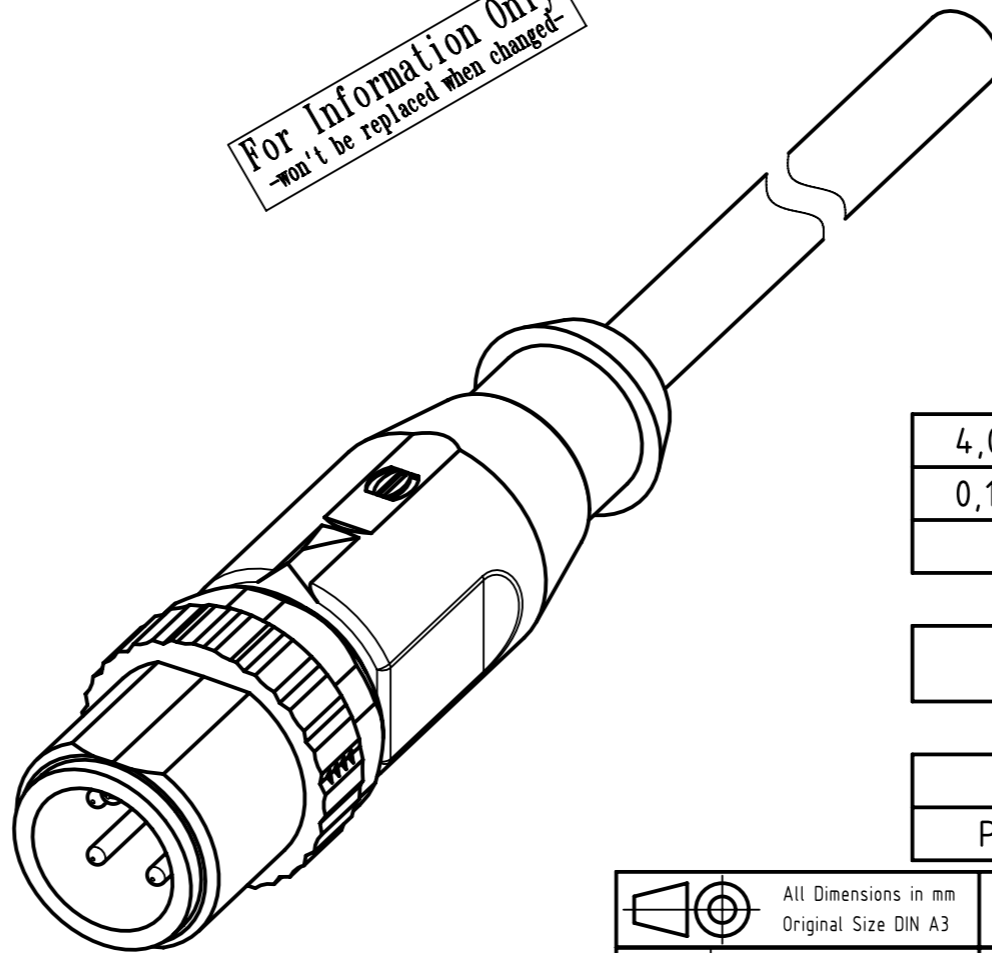


Loading-Plan:

- 1 brown
- 2 white
- 3 blue
- 4 black

- Protection level: IP67
 - Temperature range: -25°C ... +80°C

*For Information Only
 -won't be replaced when changed-*



length in "1m" step	40	XXX=400
	39	XXX=390

	12	XXX=120
	11	XXX=110
length in "0,1m" step	10	XXX=100
	9,9	XXX=099
	9,8	XXX=098

	0,4	XXX=004
	0,3	XXX=003
	0,2	XXX=002
0,1	XXX=001	
Step	a [m]	XXX

4,0 to 40	+1%
0,1 to 3,9	+0,04
a [m]	Tolerance

Part no.	213484004XXXXX
----------	----------------

Type of cable	XX
PVC grey, 4x0,34mm ²	XX=84

All rights reserved Department EC PD - RO		All Dimensions in mm Original Size DIN A3	Scale 2:1	Free size tol.	Ref. Sub.
HARTING Electronics GmbH D-32339 Espelkamp	Created by TAMAS	Inspected by	Standardisation	Date 2014-05-23	State Checked Out
Title M12 A-coded Cable Assembly		Type TB		Number 213484004XXXXX	
Doc-Key / ECM-Nr. 100578816/UGD/009/A		Rev. A		Page 1/1	