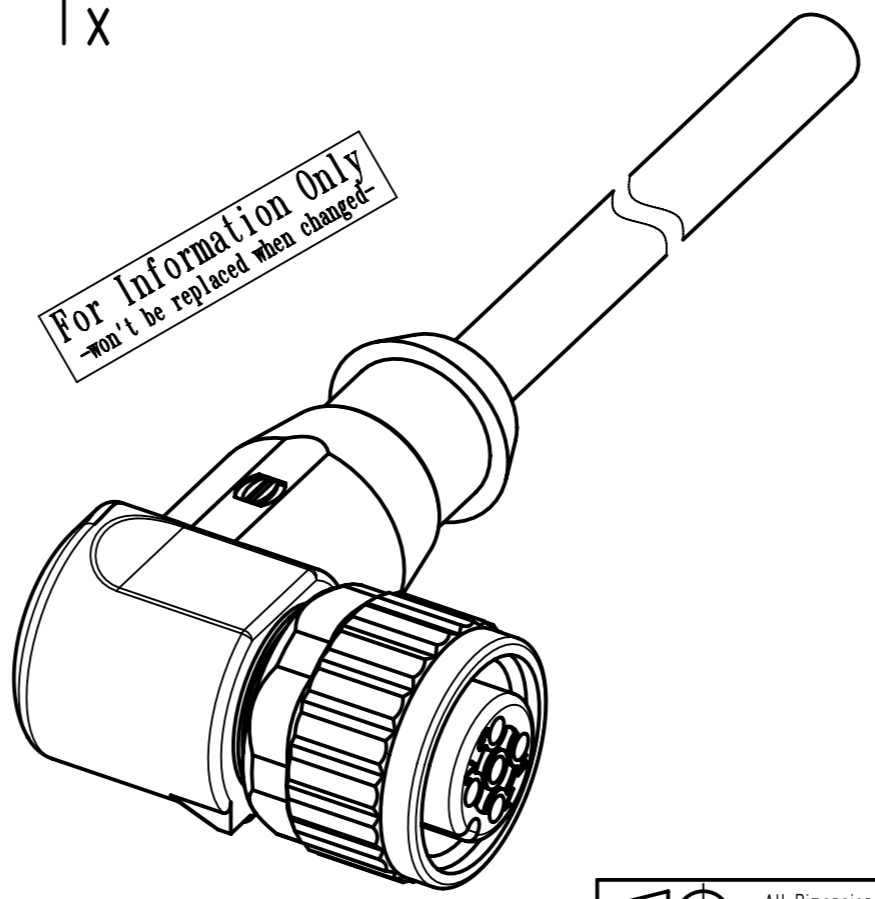


- Loading-Plan:
- 1 brown
 - 2 white
 - 3 blue
 - 4 black
 - 5 green-yellow

- Protection level: IP67
 - Temperature range: -25°C ... +80°C



length in "1m" step	40	XXX=400
	39	XXX=390

	12	XXX=120
	11	XXX=110
length in "0,1m" step	10	XXX=100
	9,9	XXX=099
	9,8	XXX=098

	0,4	XXX=004
	0,3	XXX=003
	0,2	XXX=002
	0,1	XXX=001
Step	a [m]	XXX

4,0 to 40	+1%
0,1 to 3,9	+0,04
a [m]	Tolerance

Part no. 213487005XXXXX

Type of cable XX
 PVC grey, 5x0,34mm² XX=85

All rights reserved Department EC PD - RO HARTING Electronics GmbH D-32339 Espelkamp	All Dimensions in mm Original Size DIN A3	Scale 2:1 Free size tol.	Ref. Sub.
	Created by TAMAS Title M12 A-coded Cable Assembly Type TB	Inspected by Standardisation Number 213487005XXXXX	Date 2014-05-26 State Checked Out Rev. A