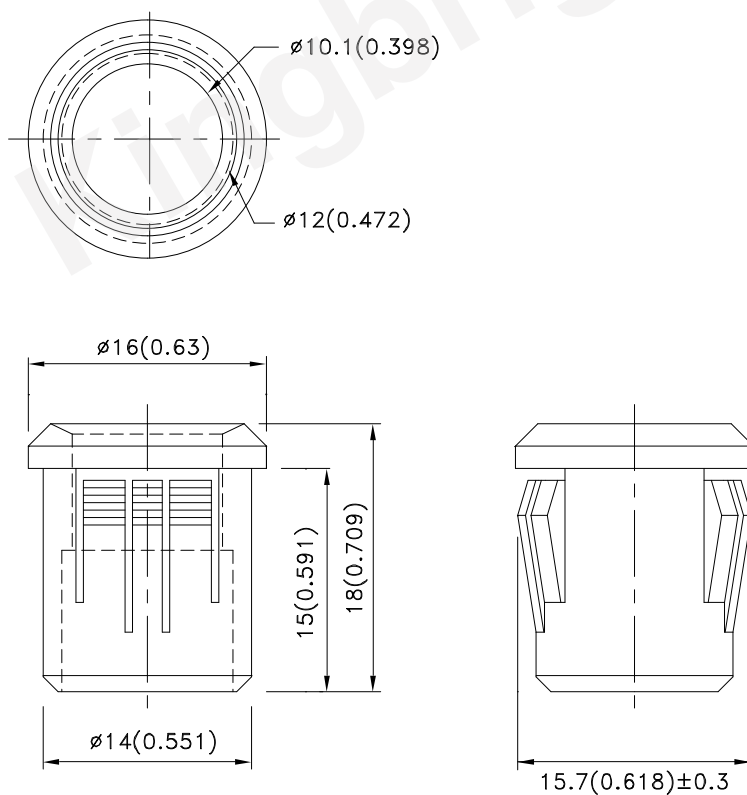


Part Number:RTF-1090

Features

- Suitable for back panel illumination, circuit board indicator, LED indicator.
- Housing UL rating:94V-0.
- Housing material: type 66 nylon.
- RoHS compliant.

Package Dimensions



Notes:

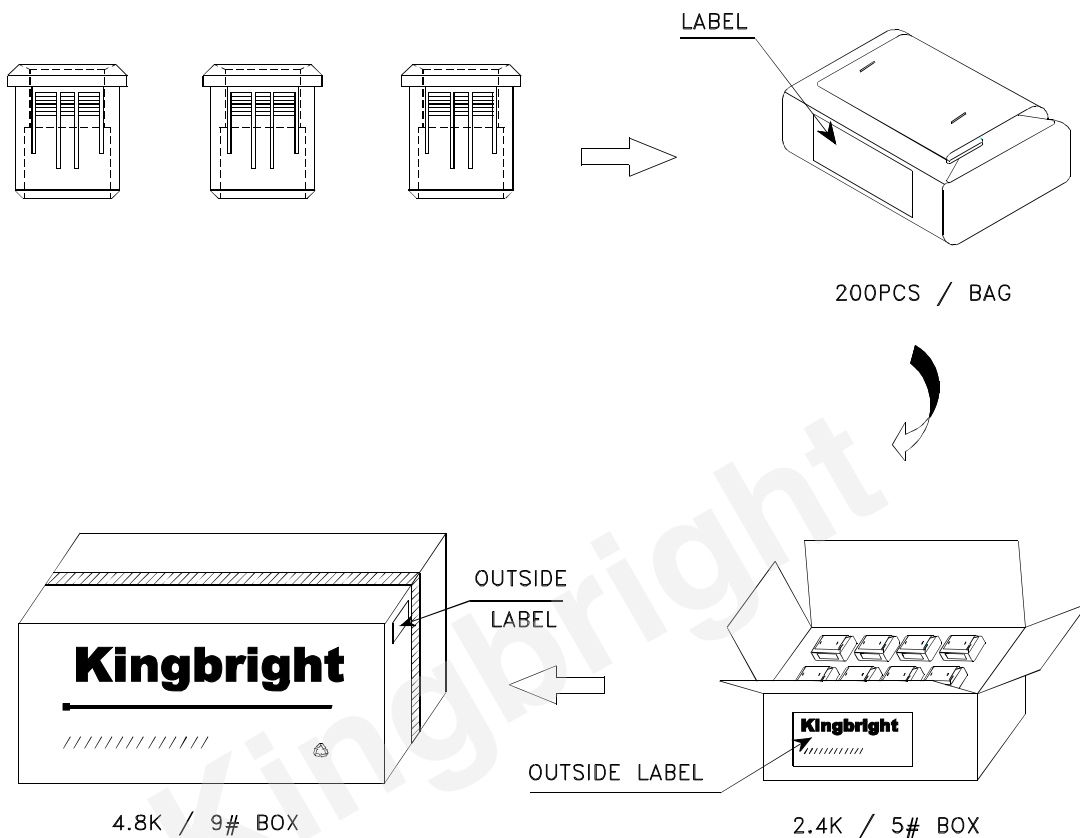
1. All dimensions are in millimeters (inches).
2. Tolerance is $\pm 0.25(0.01)$ unless otherwise noted.
4. The specifications, characteristics and technical data described in the datasheet are subject to change without prior notice.




Kingbright

PACKING & LABEL SPECIFICATIONS

RTF-1090



<h1>Kingbright</h1>					
P/NO: RTF-1090					
QTY: 200 pcs	Q.C.	<table border="1"> <tr><td>Q C</td></tr> <tr><td>XX XX XXXX</td></tr> <tr><td>PASSED</td></tr> </table>	Q C	XX XX XXXX	PASSED
Q C					
XX XX XXXX					
PASSED					
S/N: XXXX					
CODE: XXX					
LOT NO:					
 <small>XXXXXXXXXXXXXXXXXXXXXXXXXXXX</small>					
RoHS Compliant					