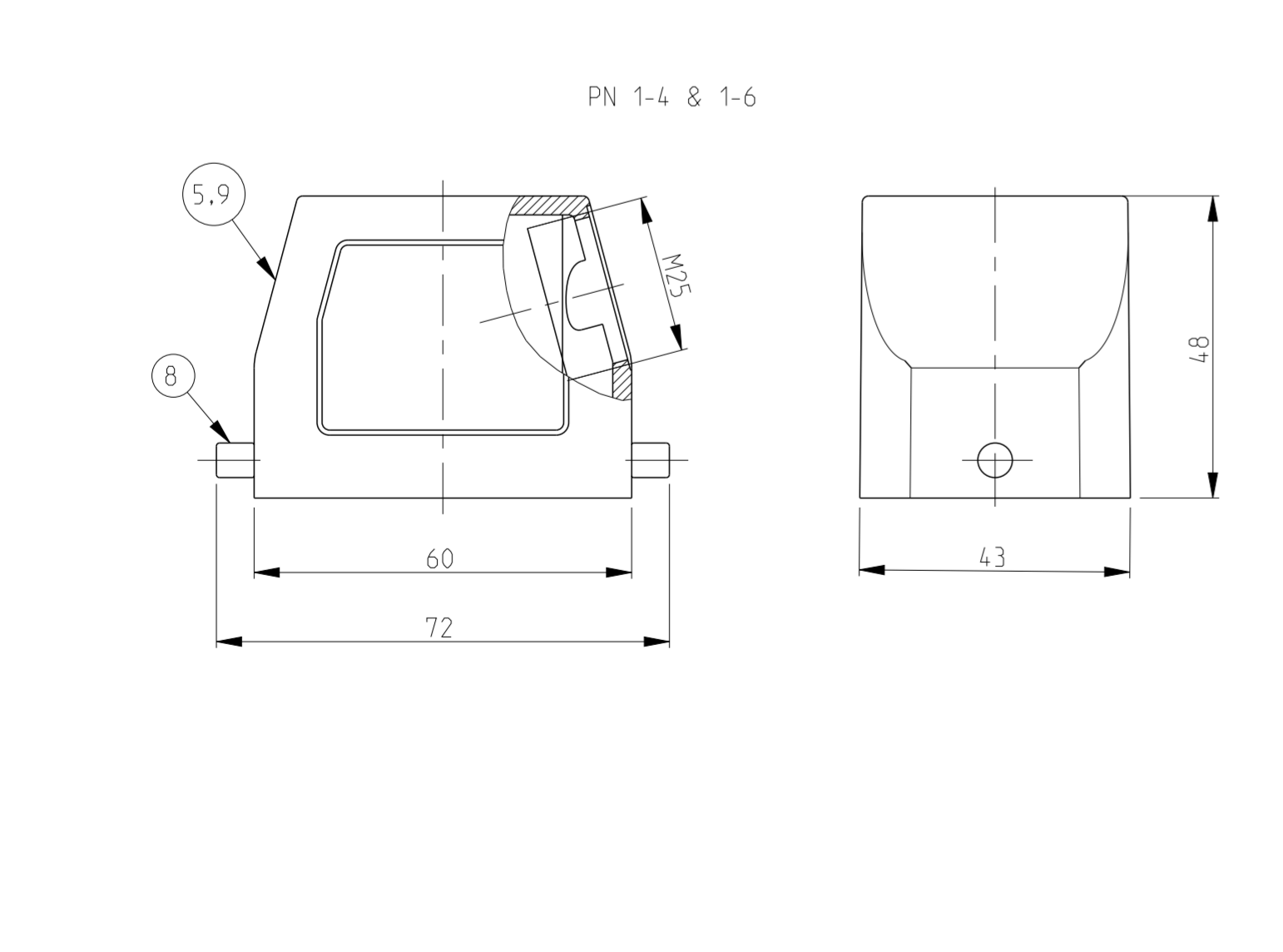
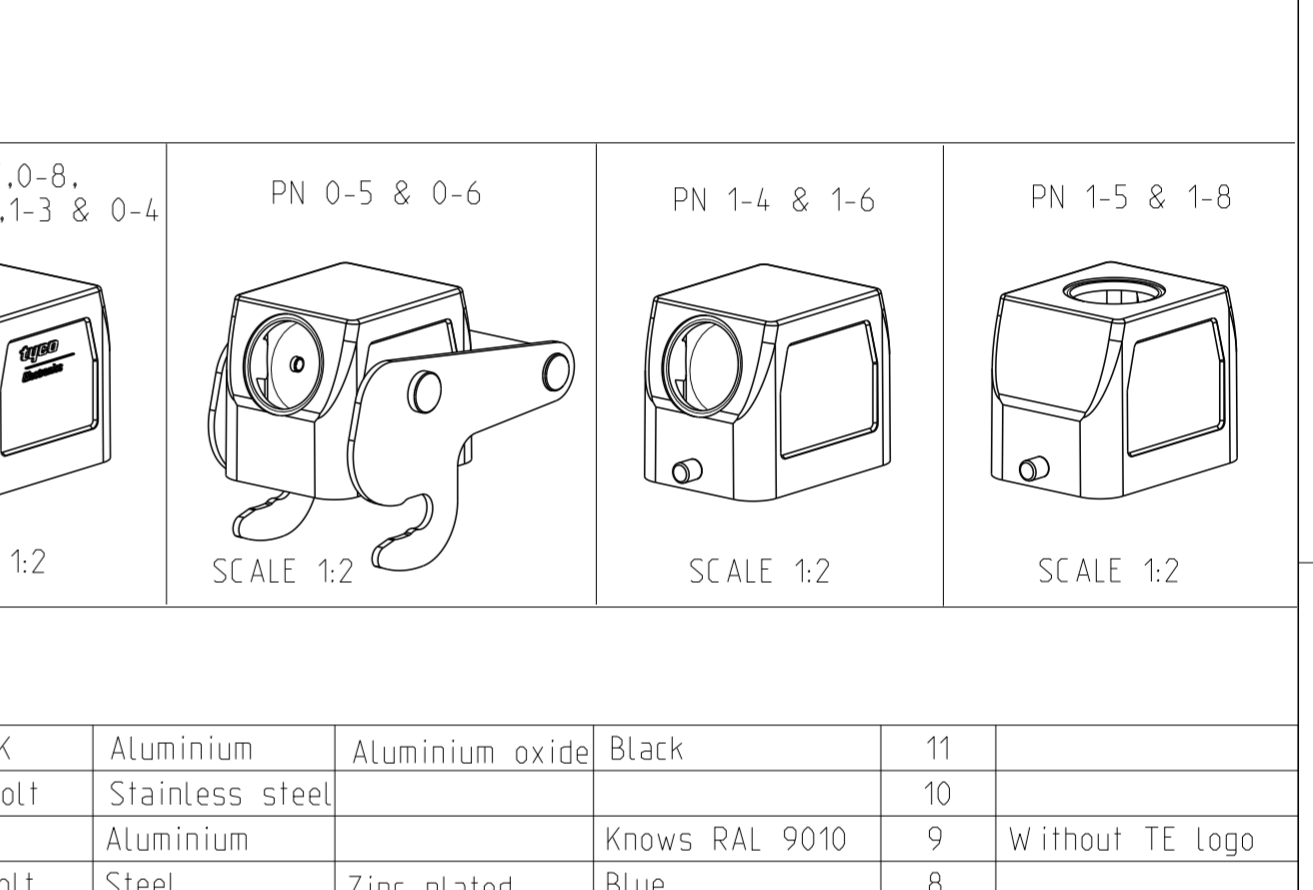


Notes

- 1 Material:Housing: Aluminium diecasting alloy
- 2 Surface:-Powder varnish-grey
-Aluminium oxide+varnish black
-chromit AL TCP passivation
+varnish black
- 3 Varnish on the inside not necessary
- 4 Packaging
Packaging quantity: 5 pieces in a box



1-8	1-7	1-6	1-5	1-4	1-3	1-2	1-1	1-0	0-9	0-8	0-7	0-6	0-5	0-4	0-3	0-2	0-1	DESCRIPTION	MATERIAL	SURFACE	COLOR	ITEM NO	NOTES
																		Hood HB-K	Aluminium	Aluminium oxide	Black	11	
																		LB-Clip bolt	Stainless steel			10	
		1																Hood HB	Aluminium		Knows RAL 9010	9	Without TE Logo
		2	2	2														LB-Clip bolt	Steel	Zinc plated	Blue	8	
					1													Hood HB	Aluminium		Fire red RAL3000	7	
	1																	Hood HB-EMV	Aluminium	SEE NOTE 2	Black	6	
			1	1			1											Hood HB	Aluminium		Grey	5	Without TE logo
													1					ZB-Locking clip	Stainless steel	Blank		4	
													1					ZB-Locking clip	steel	Zinc plated	Blue	3	
													1	1	1			Hood HB-K	Aluminium	Aluminium oxide	Black	2	
															1	1		Hood HB	Aluminium		Grey	1	

THIS DRAWING IS A CONTROLLED DOCUMENT.

DWN Schneider 28.11.02
CHK Schneider 28.11.02
APVD -

NAME: HOOD HB6

PRODUCT SPEC: 108-74001/74003
APPLICATION SPEC: 114-74001/74004/74005

SIZE: A2 CAGE CODE: 00779 DRAWING NO: C-1106419 RESTRICTED TO: -

WEIGHT: -

CUSTOMER DRAWING SCALE: 1:1 SHEET: 1 OF 1 REV: A12

TE Connectivity