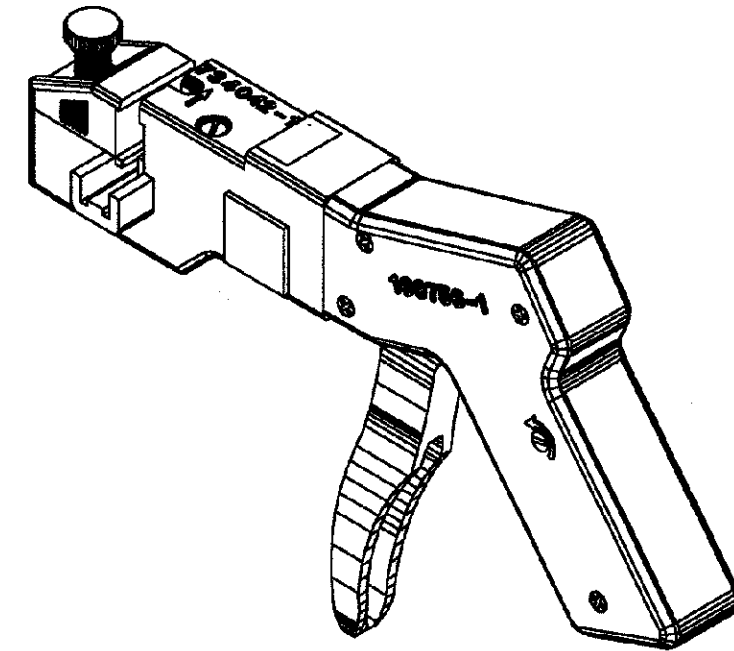
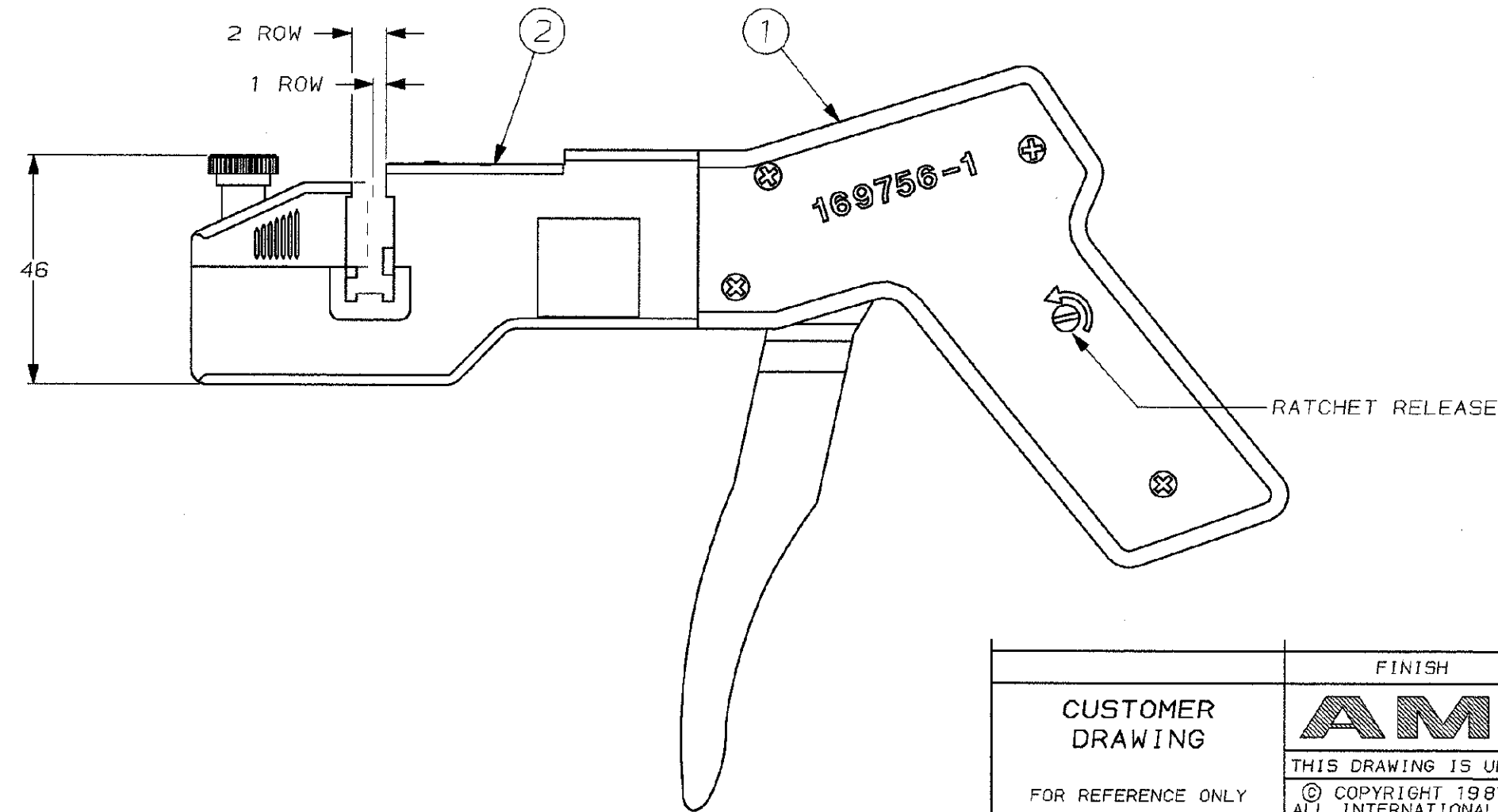
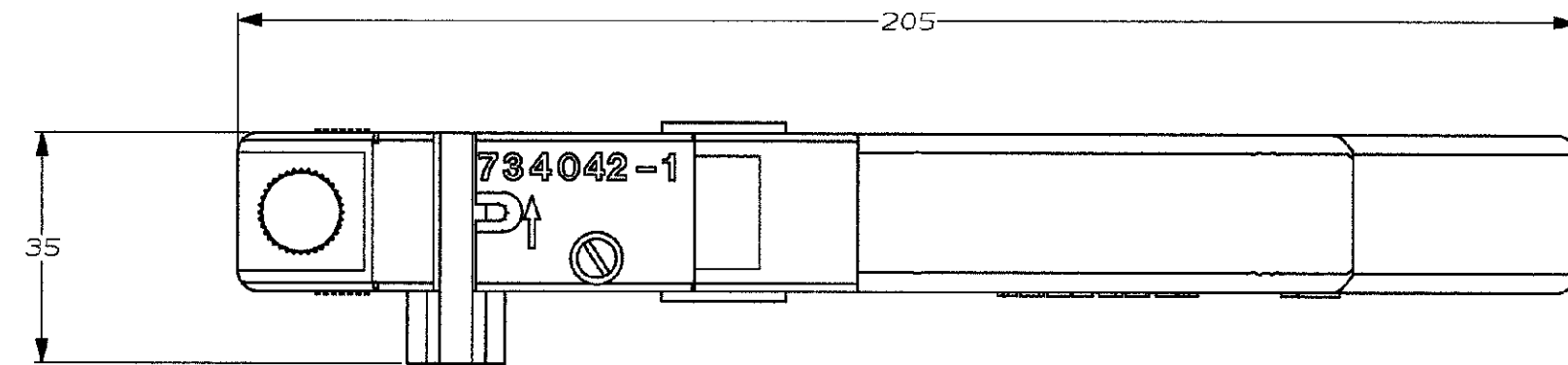


DO NOT SCALE  
DIMENSIONS IN mm

METRIC

THIRD ANGLE  
PROJECTION



1	BOX	734030-1	3	
1	HEAD	734042-1	2	
1	PISTOLGRIP	169756-1	1	
FINISH	-1	NAME	PARTNUMBER	ITEM

CUSTOMER DRAWING		<b>AMP</b>		AMP-HOLLAND B.V. 's-Hertogenbosch, The Netherlands.	
		THIS DRAWING IS UNPUBLISHED RELEASED FOR PUBLICATION 03, 1987			
FOR REFERENCE ONLY WILL NOT BE UPDATED		© COPYRIGHT 1987 BY AMP-HOLLAND B.V. ALL INTERNATIONAL RIGHTS RESERVED. AMP PRODUCTS MAY BE COVERED BY U.S. AND FOREIGN PATENTS AND/OR PATENTS PENDING.			
DR. L.V.D. HEYDEN	DATE 08.04.1988	WIRE RANGE -	NAME PISTOLGRIP HANDTOOL FOR HE 14 180° (2,54mm)		REV. DATE D M Y 08 04 88
CHK. R. VOS	DATE	INSUL. RANGE -	SIZE A3	SHEET 1 OF 1	REV. LTR. 0
APP. L. VAN SOEST	DATE	SIZE A3	SHEET 1 OF 1	DWG. No. 734043	REV. LTR. 0

8 | 7 | 6 | 5 | 4 | 3 | 2 | 1