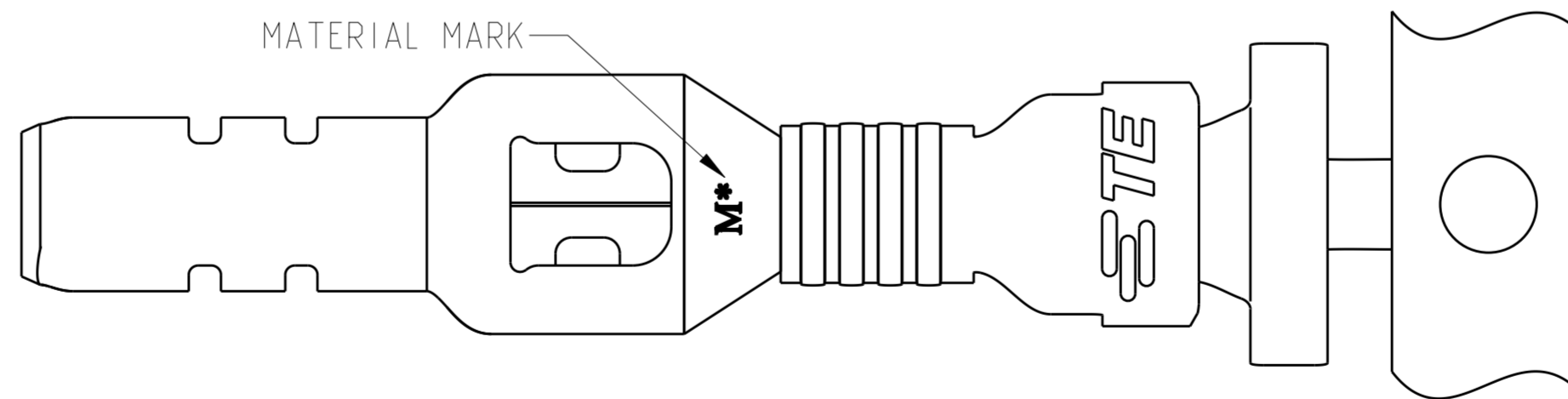
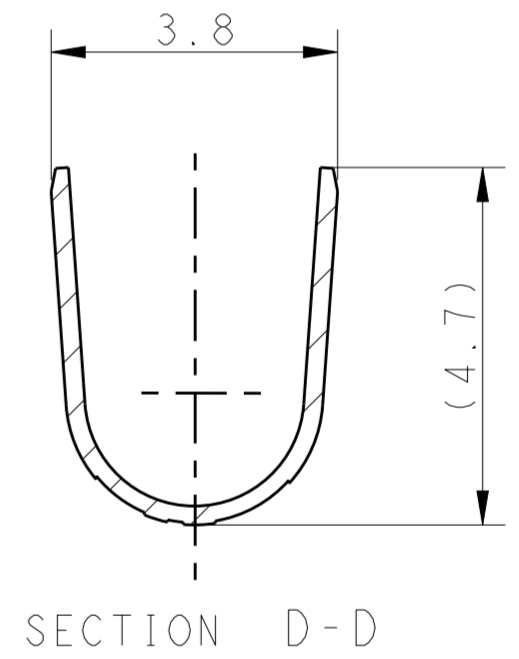
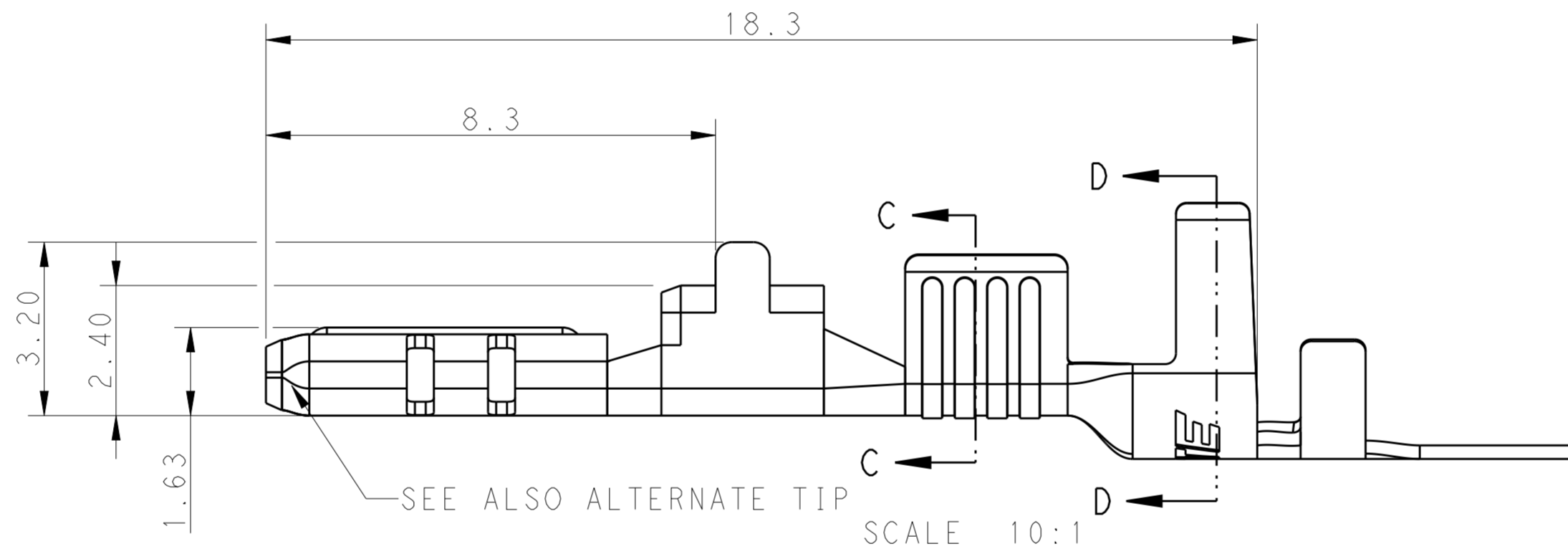
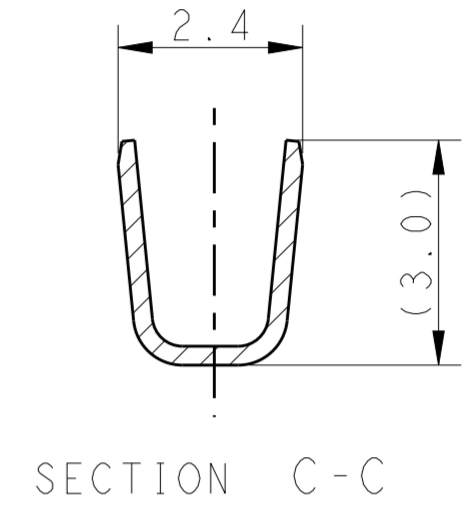
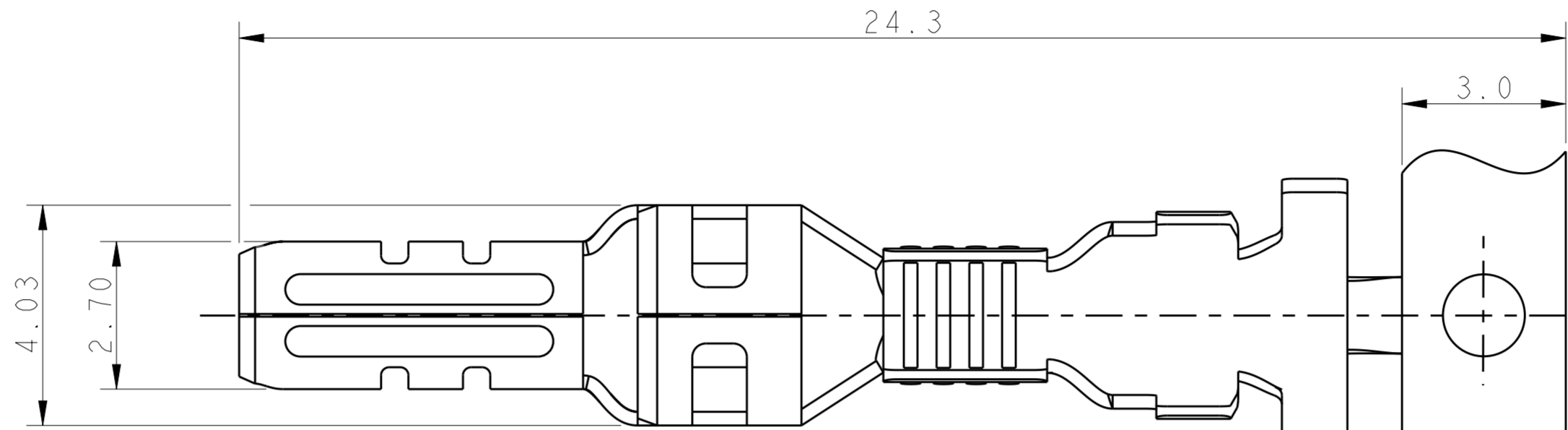
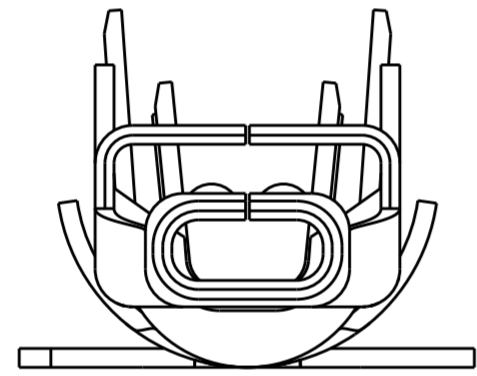
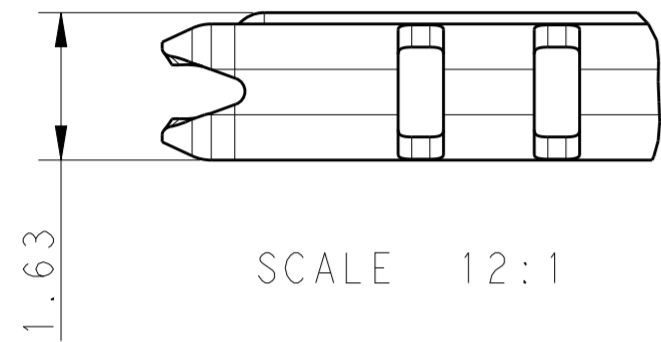


THIS DRAWING IS UNPUBLISHED. RELEASED FOR PUBLICATION 20
 © COPYRIGHT 20 BY - ALL RIGHTS RESERVED.

LOC	DIST	REVISIONS			
P	LTR	DESCRIPTION	DATE	DWN	APVD
ES	00	A3	REVISED PER ECR-14-010857	14AUG2014	NK GJ

ALTERNATE TIP CONFIGURATION



NOTE:

1. APPLICABLE WIRE RANGE: 16~20AWG COPPER STRANDED
2. APPLICABLE INSULATION DIAMETER: 2.40~3.30mm.
2.00~3.30 mm WHEN OVERLAP INSULATION APPLICATOR USED.
3. APPLICABLE MATED CAP HOUSING P/N:
 -1971771-/*-1971774-*/*-1971874-*/
 -1971772-/*-1971775-*/*-1971875-*/
 -2232263-/*-2232264-*/*-2232356-*/
 -2232358-/*-2232359-*/*-2232360-*

4. This product has not completed validation testing.

COPPER ALLOY	HIGH(150°C)	M0	1971784-2
BRASS	STANDARD(105°C)	M8	1971784-1
MATERIAL	TEMP. RATING	MATERIAL MARK	PART NO

DIMENSIONS:		TOLERANCES UNLESS OTHERWISE SPECIFIED:		DWN TOMMY WU 11JUL2011		CHK HAPYE WU 11JUL2011		APVD YUHONG MAO 11JUL2011		STE TE Connectivity	
mm		0 PLC	±	PRODUCT SPEC		108-106118		NAME		TAB CONTACT POWER TRIPLE LOCK	
		1 PLC	±0.5	APPLICATION SPEC		114-106118		SIZE		A200779	
		2 PLC	±0.30	WEIGHT		-		CAGE CODE		C-1971784	
		3 PLC	±	FINISH		PRE-TIN		DRAWING NO		RESTRICTED TO	
		4 PLC	±	MATERIAL		SEE TABLE		SCALE		SHEET 1 OF 1 REV A3	
		ANGLES	±	Customer Drawing							