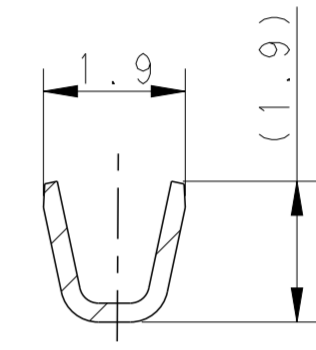
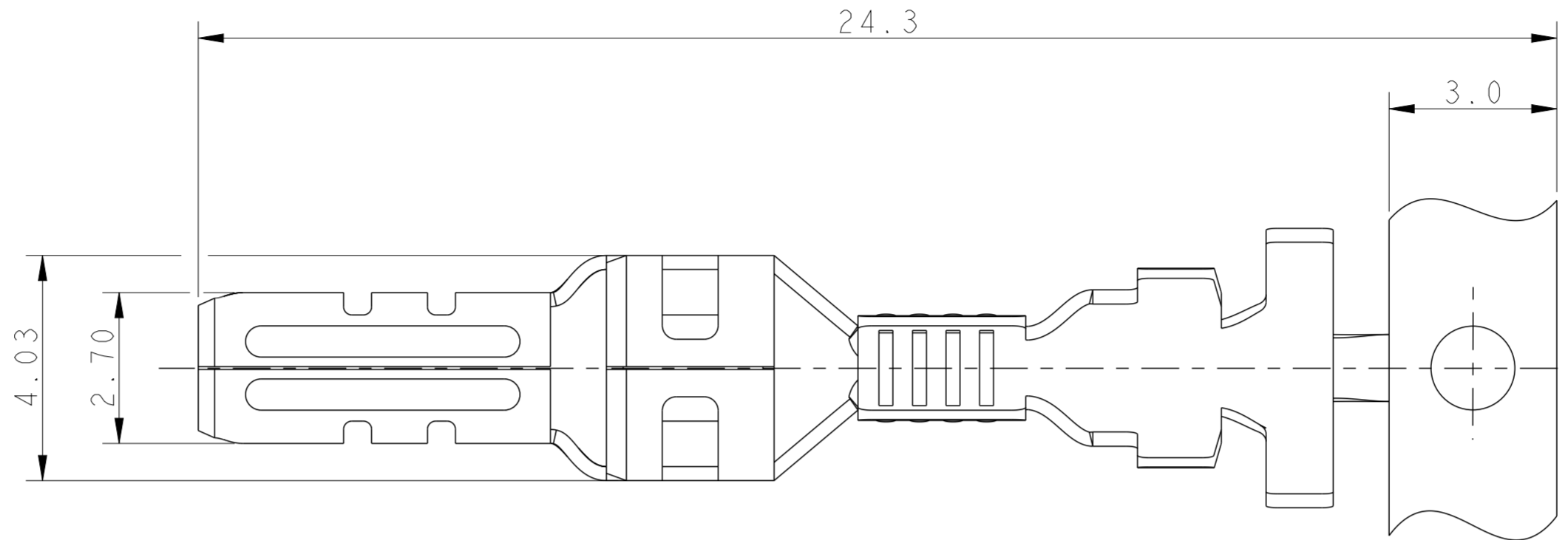
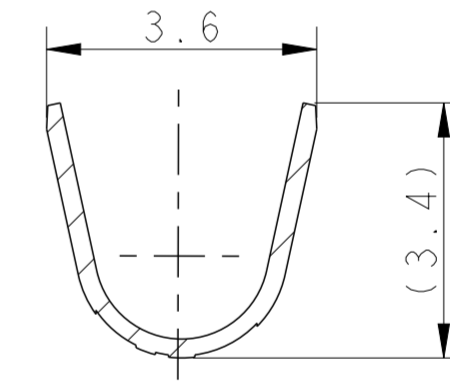
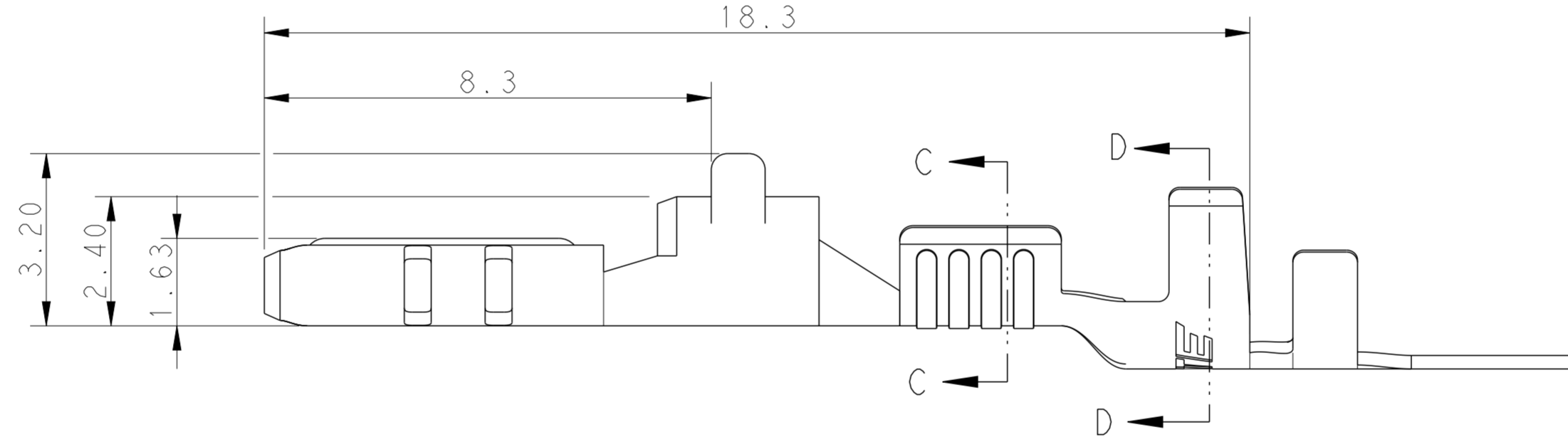


THIS DRAWING IS UNPUBLISHED. RELEASED FOR PUBLICATION 20
 © COPYRIGHT 20 BY - ALL RIGHTS RESERVED.

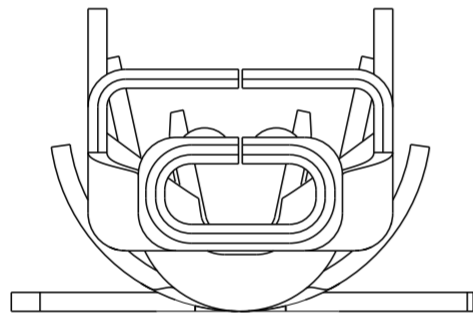
LOC	DIST	REVISIONS					
ES	00	P	LTR	DESCRIPTION	DATE	DWN	APVD
		B1		REVISED PER ECR-14-010857	14AUG2014	NK	GJ



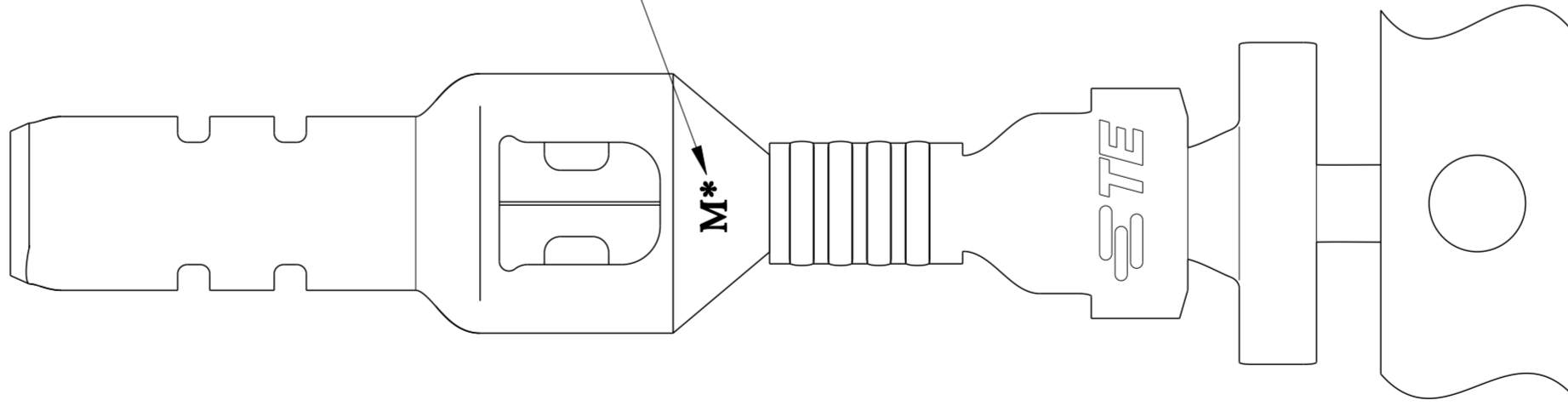
SECTION C-C



SECTION D-D



MATERIAL MARK



- NOTE:
1. APPLICABLE WIRE: 20-22 AWG COPPER STRANDED
 2. APPLICABLE INSULATION DIAMETER: 1.14-2.70mm
 3. APPLICABLE MATED CAP HOUSING P/N:
 -1971771-/*-1971774-*/*-1971874-*/
 -1971772-/*-1971775-*/*-1971875-*/
 -2232263-/*-2232264-*/*-2232357-*/
 -2232358-/*-2232359-*/*-2232360-*

4. THIS PRODUCT HAS NOT COMPLETED VALIDATION TESTING.

COPPER ALLOY	HIGH(150°C)	M0	1971786-2
BRASS	STANDARD(105°C)	M8	1971786-1
MATERIAL	TEMP. RATING	MATERIAL MARK	PART NO

THIS DRAWING IS A CONTROLLED DOCUMENT.		DWN TOMMY WU 11JUL2011	TE Connectivity	
DIMENSIONS: mm		CHK HAPYE WU 11JUL2011		
TOLERANCES UNLESS OTHERWISE SPECIFIED:		APVD YUHONG MAO 11JUL2011	NAME	
0 PLC ±		PRODUCT SPEC	TAB CONTACT	
1 PLC ±0.5		APPLICATION SPEC	POWER TRIPLE LOCK	
2 PLC ±0.30		WEIGHT	SIZE	CAGE CODE
3 PLC ±		Customer Drawing	A2	00779
4 PLC ±		SCALE	DRAWING NO	
ANGLES ±		RESTRICTED TO	1971786	
FINISH		Customer Drawing	SCALE	SHEET 1 OF 1
SEE TABLE		PRE-TIN	REV B1	