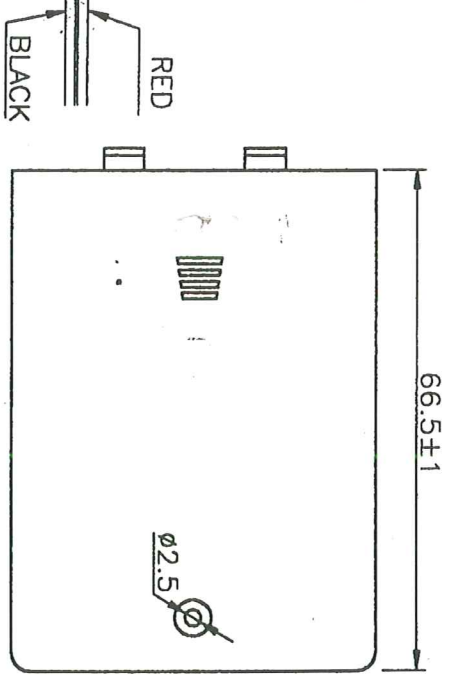
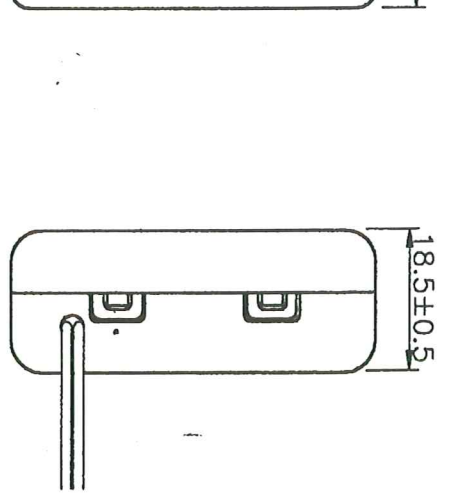


BOTTOM



COVER



GROUP

SPECIFICATION

- (1) ITEM NO.: SBH-331A
- (2) WIRE: UL1007 AWG#26
BLACK & RED 150MM±5MM
STRIP & TIN 5MM±1MM
- (3) MATERIAL: A.B.S. RESIN ,BLACK COLOR
- (4) SPRING: 0.6MM 65C SPRING WIRE

NO.	MODIFICATION	DATE
1		
2		
3		

NAME	BATTERY HOLDER	SBH-331A
SCALE	1:1	
UNIT	MM	
MAT'L	A.B.S.	
DATE	99.OCT.31	
APPD.	Subirgin	
CHKD.	Subirgin	
DWN.	LING	
DR NO.	S3310A-1099	

