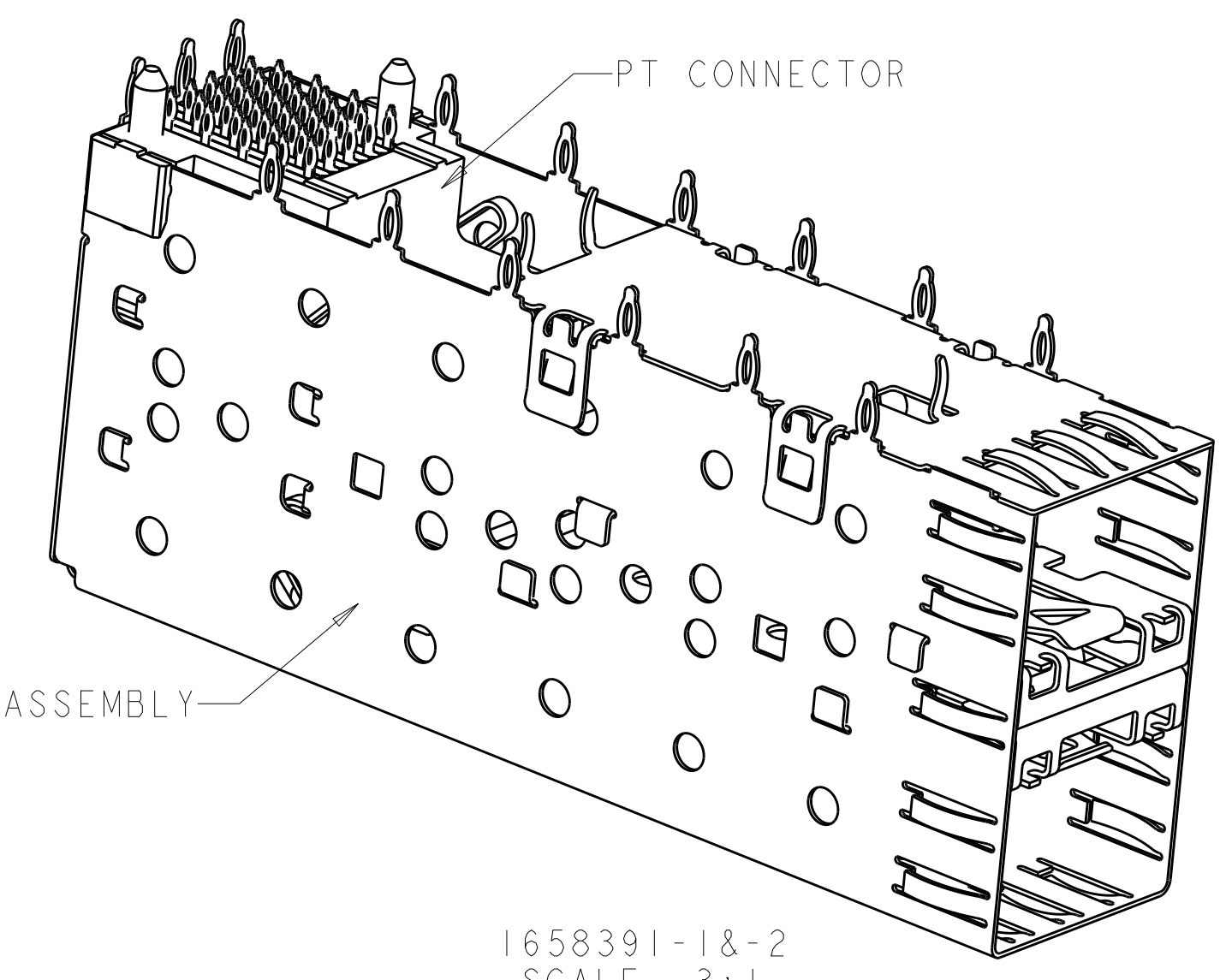
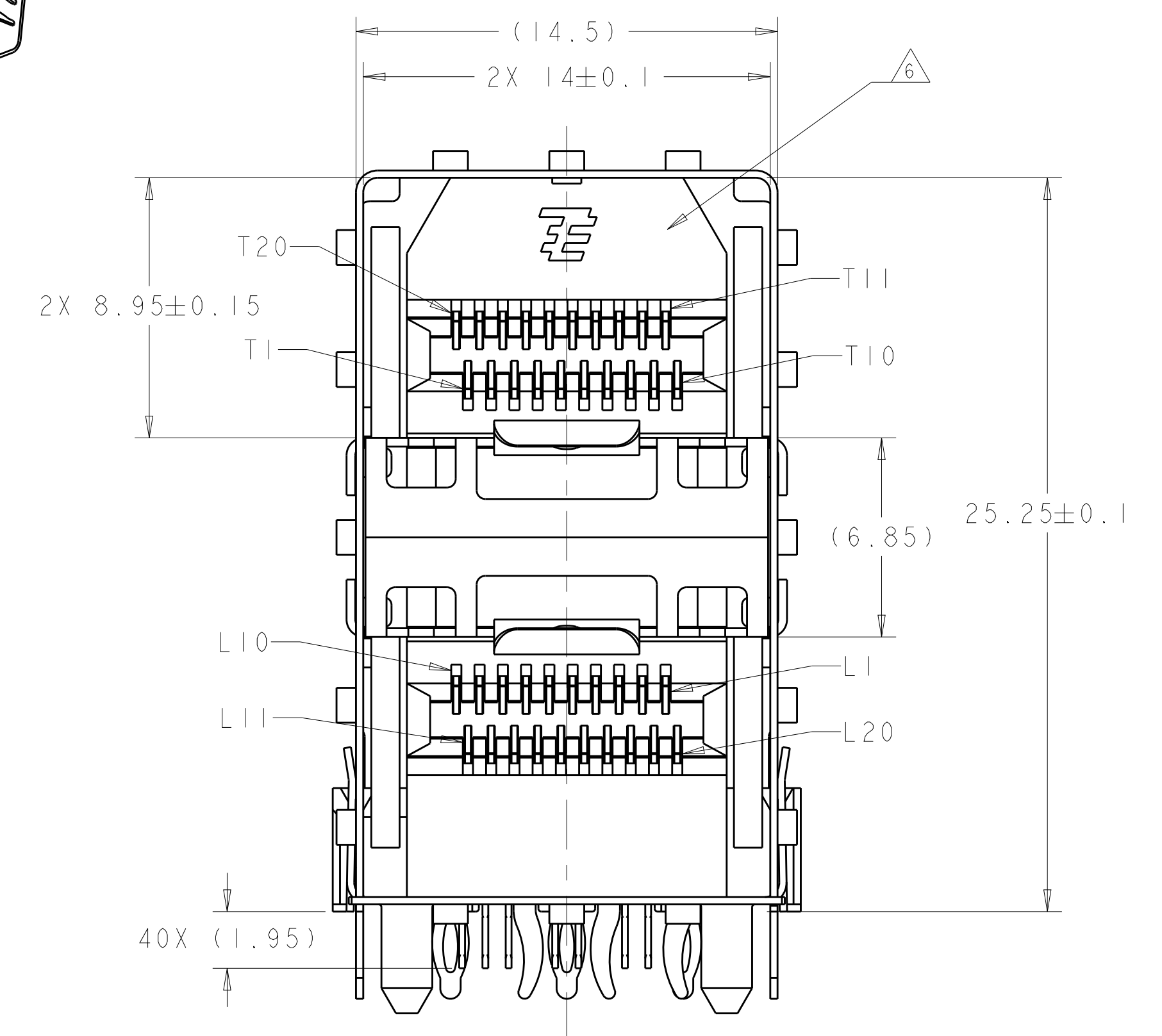
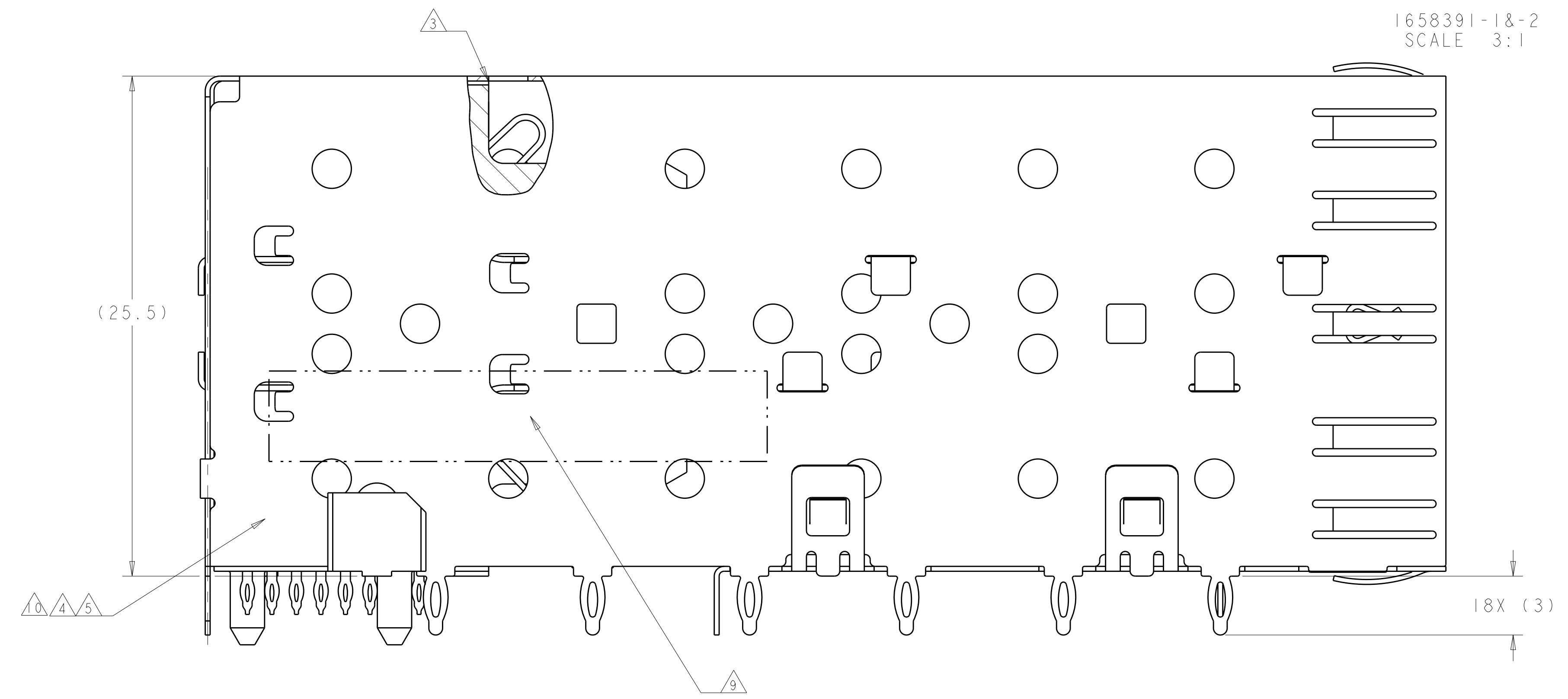


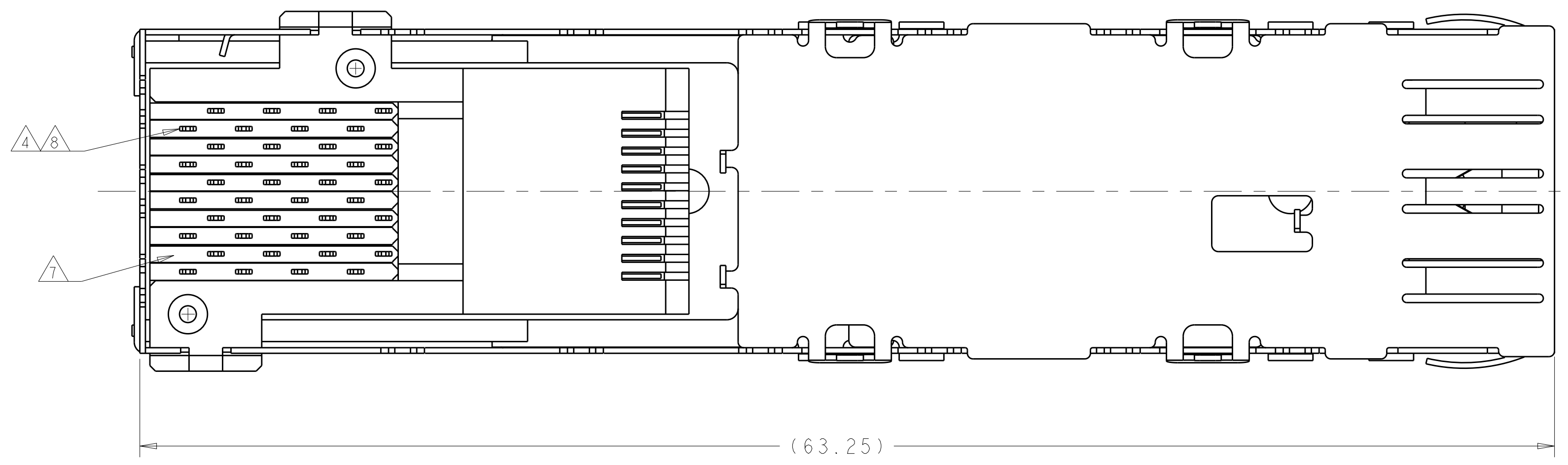
LOC	DIST	REVISIONS					
		P	LTN	DESCRIPTION	DATE	DWN	APVD
ES	00	F1		REVISED PER ECO-11-005033	18MAR2011	RK	HMR
		G		REVISED PER ECO-14-000886	20FEB2014	JW	SH
		G1		REVISED PER ECO-14-010419	11JUL2014	JW	SH



1658391-1&2  
 SCALE 3:1



- △ DATUM AND BASIC DIMENSION TO BE DETERMINED BY CUSTOMER.
- △ INTERPRETATION OF DATUM REFERENCE FRAME IN ACCORDANCE WITH SECT 4.4.1.1 OF ASME Y14.5M-1994.
- △ TOP OF PT CONNECTOR TO BE 0-0.15 FROM INSIDE SURFACE OF CAGE.
- △ COPPER ALLOY.
- △ 1.25umMIN TIN PER ASTM B 545 OVER NICKEL FLASH PER QQ-N-290. NON-PLATED EDGES PERMISSIBLE.
- △ LCP, HIGH TEMPERATURE, UL 94V-0 RATED, BLACK.
- △ POLYESTER, UL 94V-0 RATED, BLACK.
- △ CONTACT MATING AREA: SURFACE TREATMENT OVER 0.76um MIN GOLD PER ASTM B 488 OVER 1.27um MIN NICKEL PER QQ-N-290. NEEDLE EYE: 1.25um MIN TIN PER ASTM B 545 OVER 1.27um MIN NICKEL PER QQ-N-290. REMAINDER OF CONTACT: 0.76um MIN NICKEL PER QQ-N-290.
- △ DATE CODE AND PART NUMBER IN APPROXIMATE AREA SHOWN.
- △ MATERIAL: NICKEL SILVER ALLOY(NO PLATING)



THIS DRAWING IS A CONTROLLED DOCUMENT.		DWN	25MAR03	NO	1658391-2
DIMENSIONS:		CHK	M. COWHER	CONNECTOR FINISH	1658391-1
mm	0 PLC ±	APVD	J. KOPPENHEFFER	CONNECTOR MATERIAL	PART NUMBER
	2 PLC ±0.1	M. WALMSLEY 23JAN04		CAGE FINISH	
	3 PLC ±	NAME		CAGE MATERIAL	
	4 PLC ±	CAGE AND PT CONNECTOR ASSEMBLY,			
	ANGLES ±	2x1, PRESS FIT, STANDARD PROFILE,			
MATERIAL	FINISH	PRODUCT SPEC	108-2161		
		APPLICATION SPEC	114-13103		
		WEIGHT			
		CUSTOMER DRAWING			

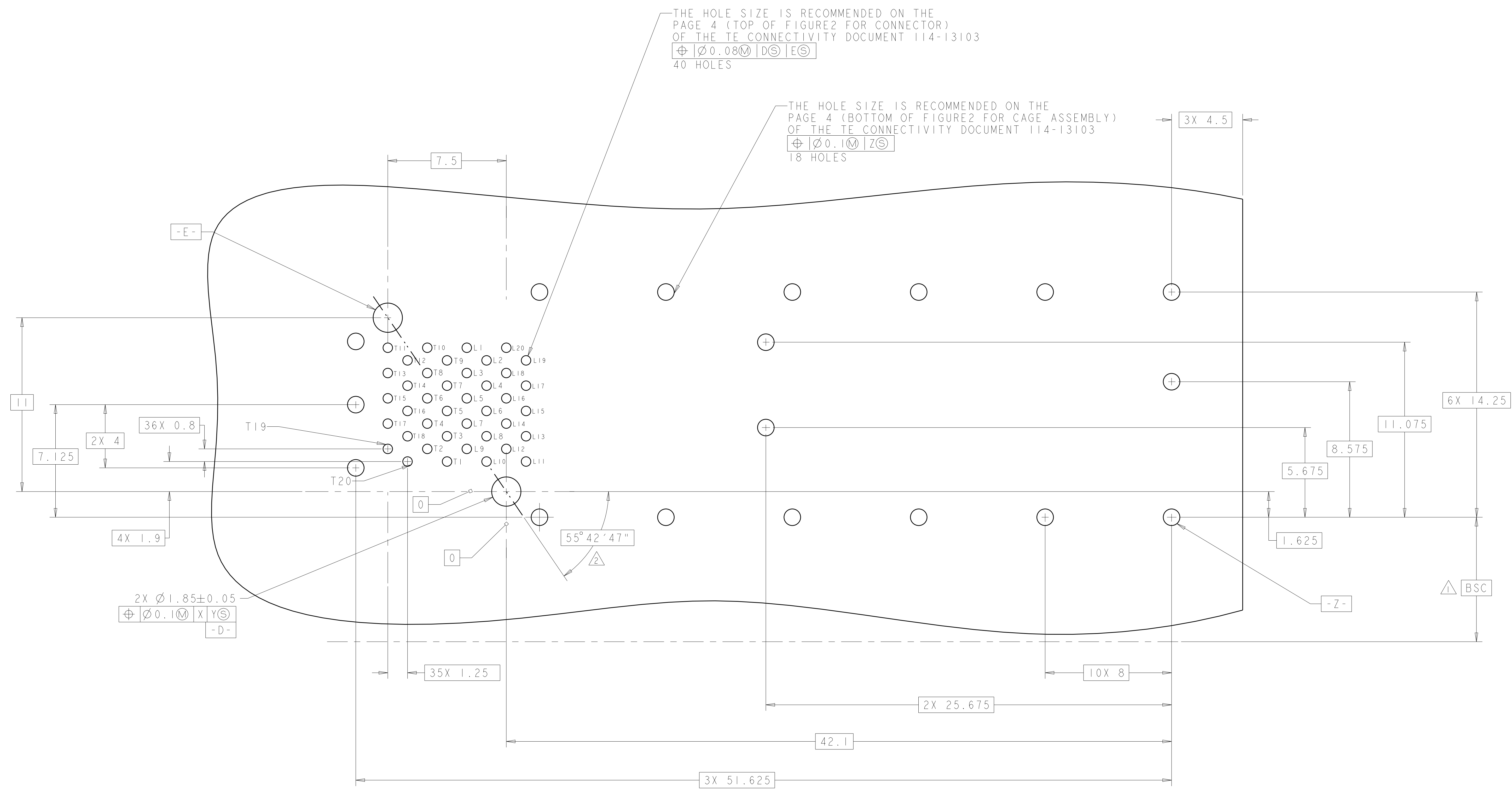
TE Connectivity

SIZE CAGE CODE DRAWING NO RESTRICTED TO

A100779C=1658391

SCALE 6:1 SHEET 1 OF 3 REV G1

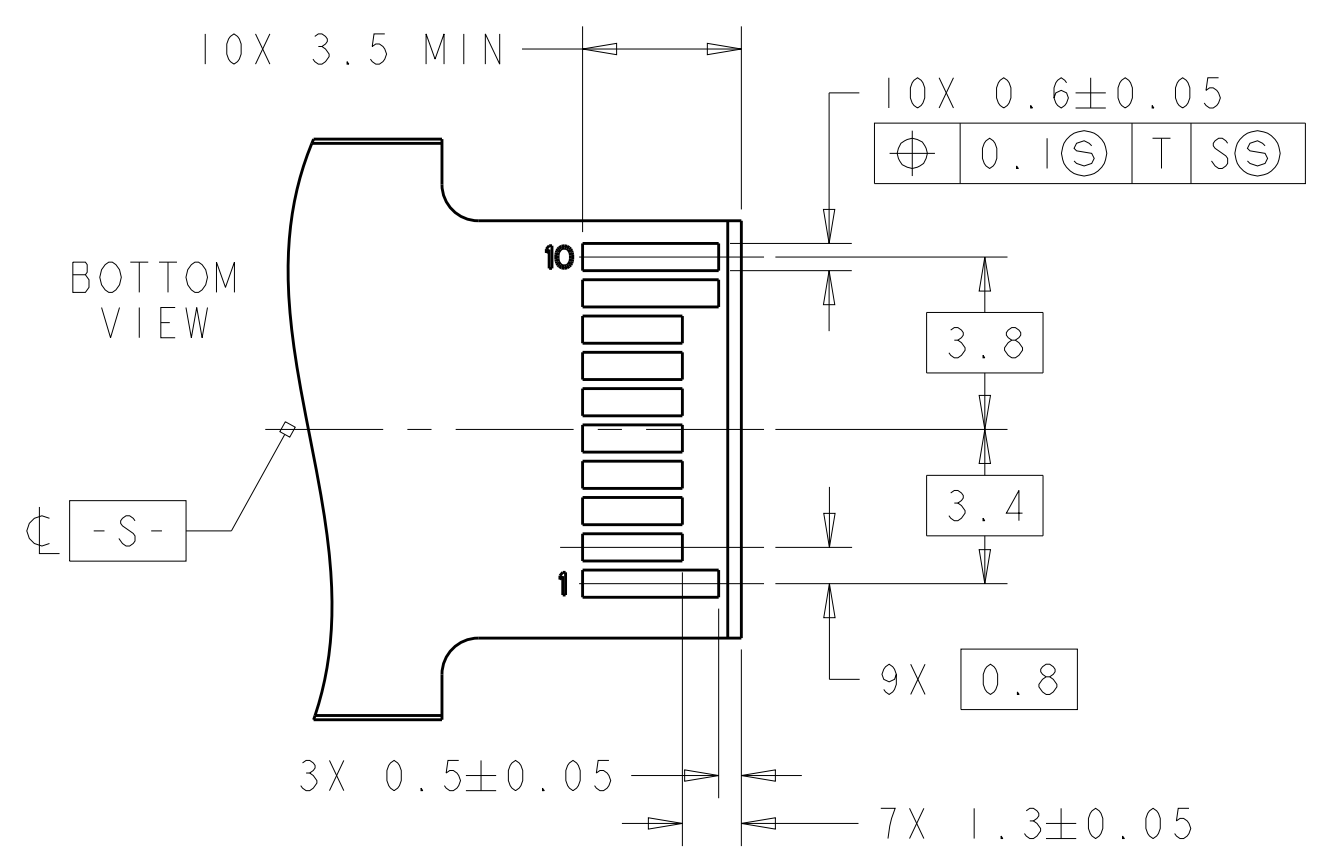
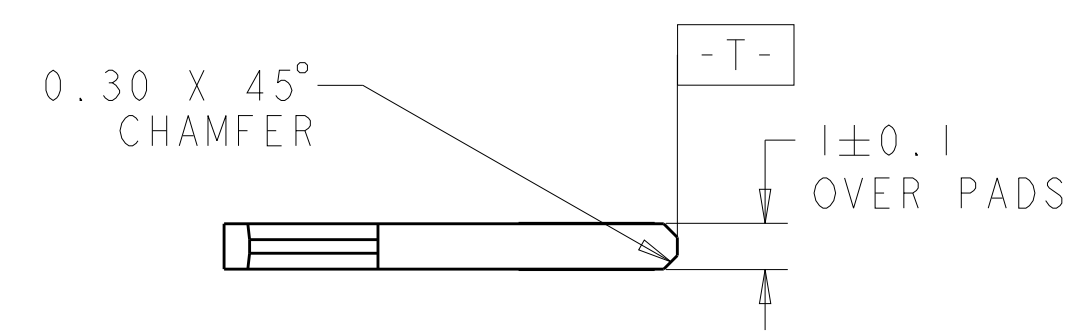
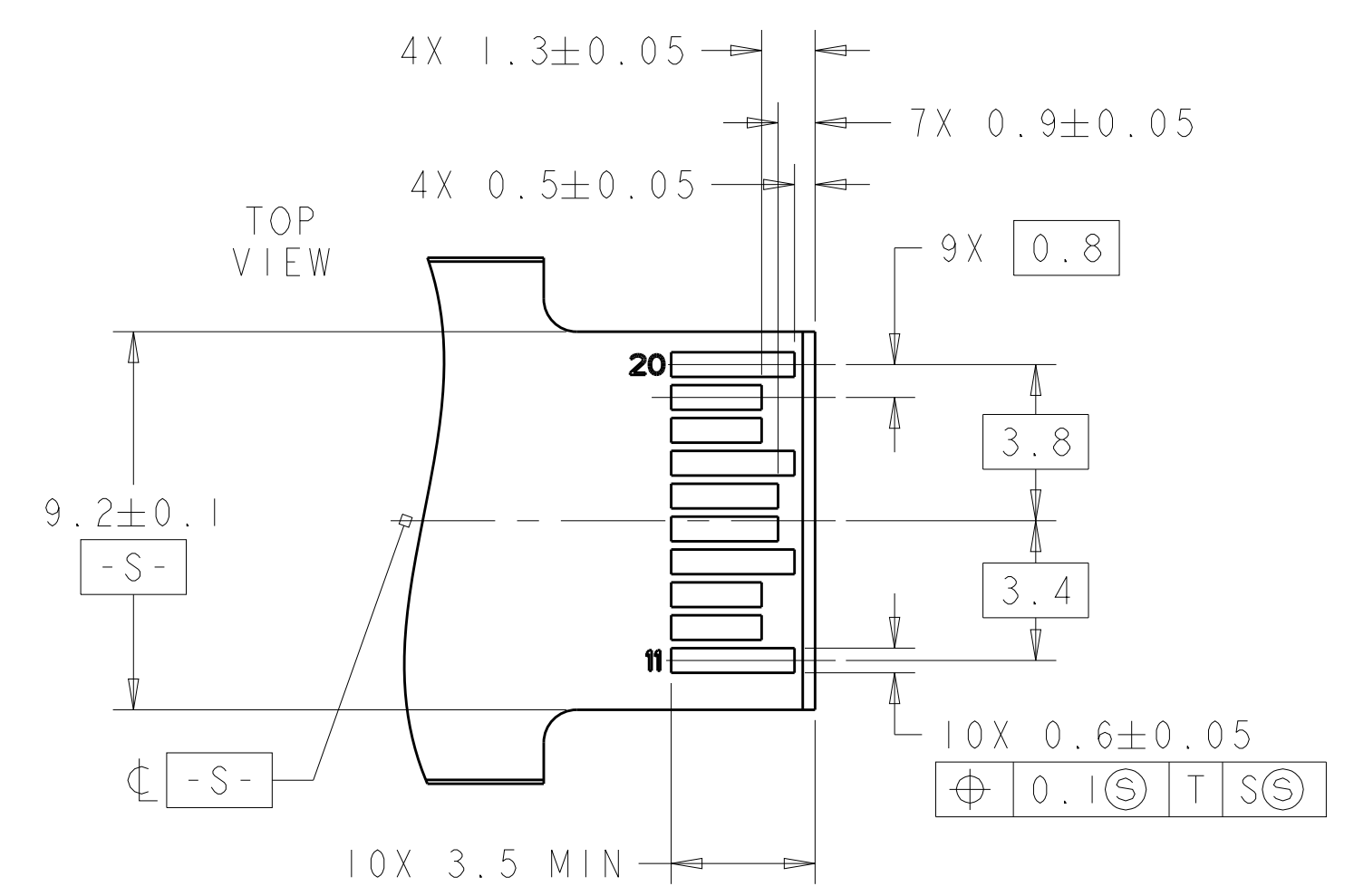
LOC		DIST		REVISIONS				
ES	00	P	LTN	DESCRIPTION	DATE	DMN	APVD	
		-		SEE SHEET 1				



SFP HOST BOARD  
 MECHANICAL LAYOUT  
 SCALE 8:1

THIS DRAWING IS A CONTROLLED DOCUMENT.		DMN: M. COWHER 25MAR03	TE Connectivity
DIMENSIONS: mm		CHK: J. KOPPENHEFFER 23JAN04	
TOLERANCES UNLESS OTHERWISE SPECIFIED:		APVD: M. WALMSLEY 23JAN04	NAME: CAGE AND PT CONNECTOR ASSEMBLY, 2x1, PRESS FIT, STANDARD PROFILE, SFP PRODUCT SPEC: 108-2161 APPLICATION SPEC: 114-13103 SIZE: CAGE CODE DRAWING NO: A100779 WEIGHT: C=1658391
0 PLC ±		RESTRICTED TO:	
1 PLC ±0.1		SCALE: 6:1	
2 PLC ±		SHEET 2 OF 3	
3 PLC ±		REV: G1	
4 PLC ±			
ANGLES ±			
FINISH			
MATERIAL		CUSTOMER DRAWING	

LOC		DIST		REVISIONS				
ES	00	P	LTN	DESCRIPTION	DATE	DWN	APVD	
		-		SEE SHEET 1				



RECOMMENDED LAYOUT FOR  
 MATING TRANSCEIVER PCB  
 SCALE 6:1

THIS DRAWING IS A CONTROLLED DOCUMENT.		DWN	M. COWHER	25MAR03	TE Connectivity
DIMENSIONS:		CHK	J. KOPPENHEFFER	23JAN04	
mm	TOLERANCES UNLESS OTHERWISE SPECIFIED:	APVD	M. WALMSLEY	23JAN04	NAME CAGE AND PT CONNECTOR ASSEMBLY, 2x1, PRESS FIT, STANDARD PROFILE, SFP
0 PLC ±	1 PLC ±	PRODUCT SPEC			
2 PLC ±0.1	3 PLC ±	APPLICATION SPEC	108-2161		SIZE CAGE CODE DRAWING NO RESTRICTED TO
4 PLC ±	ANGLES ±	114-13103			
MATERIAL	FINISH	WEIGHT			A100779C=1658391
		CUSTOMER DRAWING	SCALE 1:1	SHEET 3 OF 3	REV G1