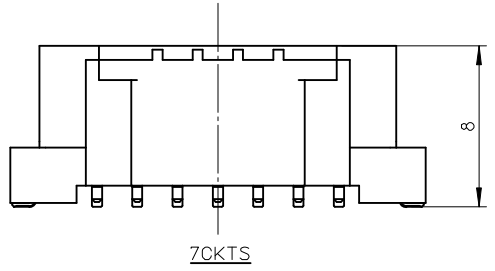
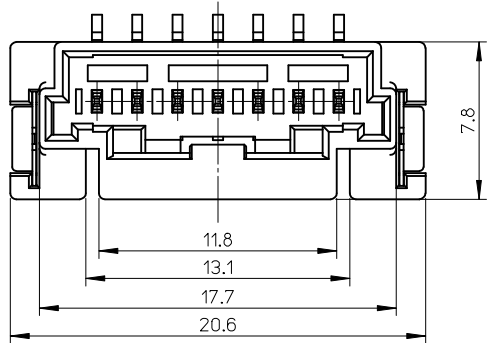
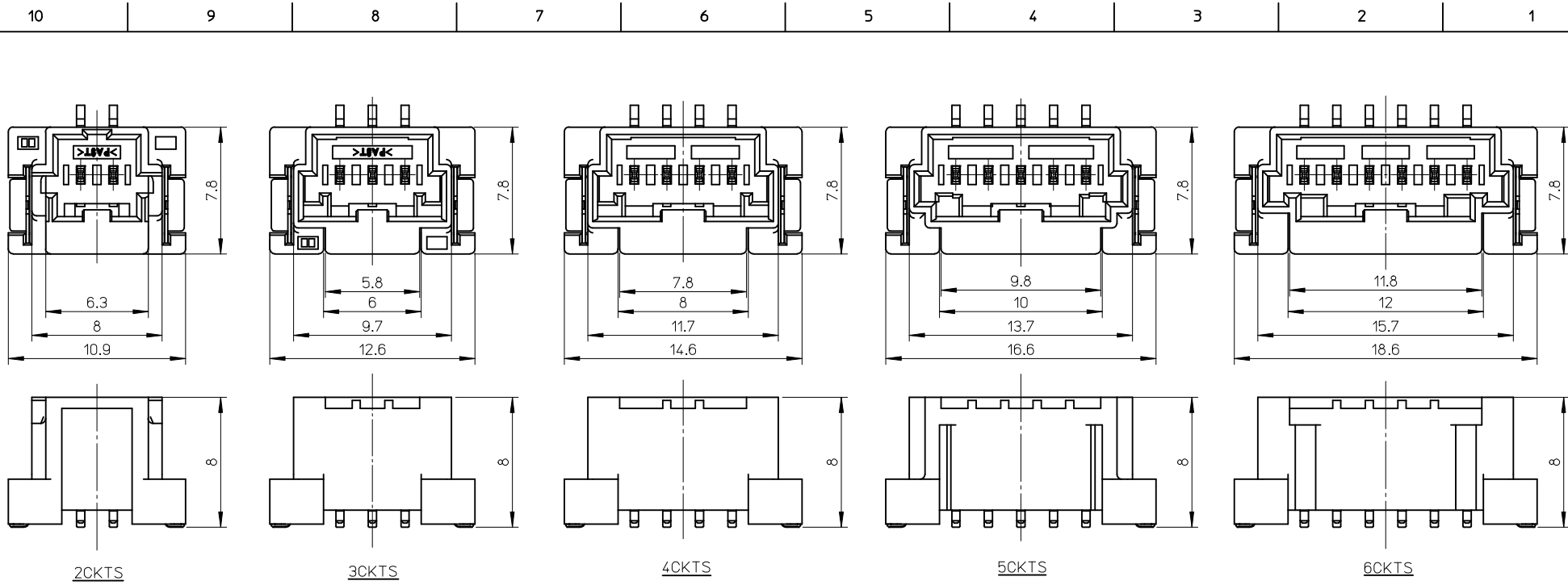


注記
NOTES

- 材質
ウエハー: 耐熱性ナイロン UL94V-0
ピン: 銅合金、ニッケル下地、錫メッキ、金メッキ
フィッティングネイル: 銅合金、ニッケル下地、錫メッキ
MATERIAL
WAFER: POLYAMIDE UL94V-0
PIN: COPPER ALLOY, GOLD OR TIN OVER NICKEL PLATE.
FINNTING NAIL: COPPER ALLOY, TIN OVER NICKEL PLATE.
- 色: ナチュラル
COLOR: NATURAL
- 嵌合相手:
ハウジング: 502351-*x00
錫メッキ端子: 50212-8*x00, 50372-8*x00, 560085-0101
金メッキ端子: 56161-8*x81
MATES WITH
HOUSING: 502351-*x00
SN PLATING TERMINAL: 50212-8*x00, 50372-8*x00, 560085-0101
AU PLATING TERMINAL: 56161-8*x81
- エンボス梱包品の詳細はSD-560020-002参照
DETAILED TAPING PACKAGE, SEE SD-560020-002
- ELV及びRoHS適合
ELV AND RoHS COMPLIANT
- 半田付け面のコプラナリティ: 0.1mm MAX.
CO-PLANARITY OF SOLDER TAILS TO BE 0.1mm MAX.

REVISED EC NO.: JTR2015-0031 DRW: KINAGA102 2014/10/02 CHKD: HKOMATSU 2014/10/02 APPR: MAYAMOTO 2014/10/15	DESCRIPTION	GENERAL TOLERANCES (UNLESS SPECIFIED)		DIMENSION STYLE MM ONLY		SCALE 5:1	DESIGN UNITS METRIC	THIRD ANGLE PROJECTION		
		10 UNDER	±0.2	DRAWN BY SHSHIBATA	DATE 2009/02/18	TITLE 2.0MM PITCH W/B CONN. WAFER ASSY ST. SMT				
		10 OVER 30 UNDER	±0.25	CHECKED BY HKOMATSU	DATE 2009/02/18					
		30 OVER	±0.3	APPROVED BY AKANESHI GE	DATE 2009/02/18					
REV		ANGULAR	±1 °	MATERIAL NO. SEE CHART		DOCUMENT NO. SD-560020-001	SHEET NO. 1 OF 3			
		DRAFT WHERE APPLICABLE MUST REMAIN WITHIN DIMENSIONS		THIS DRAWING CONTAINS INFORMATION THAT IS PROPRIETARY TO MOLEX INCORPORATED AND SHOULD NOT BE USED WITHOUT WRITTEN PERMISSION						




REVISED EC NO: JTR2015-0031 DRWN:KAGAI02 2014/10/02 CHKD:HKOMATSU 2014/10/02 APPR: MAYAMOTO 2014/10/15	GENERAL TOLERANCES (UNLESS SPECIFIED)		DIMENSION STYLE MM ONLY	SCALE 4:1	DESIGN UNITS METRIC	THIRD ANGLE PROJECTION
	10 UNDER	±0.2	DRAWN BY SHSHIBATA	DATE 2009/02/18	TITLE 2.0MM PITCH W/B CONN. WAFER ASSY ST. SMT	
	10 OVER 30 UNDER	±0.25	CHECKED BY HKOMATSU	DATE 2009/02/18		
	30 OVER	±0.3	APPROVED BY AKANESHIGE	DATE 2009/02/18	molex DOCUMENT NO. SD-560020-001 SHEET NO. 2 OF 3	
ANGULAR ±1°		MATERIAL NO. SEE CHART				
DRAFT WHERE APPLICABLE MUST REMAIN WITHIN DIMENSIONS		SIZE A3		THIS DRAWING CONTAINS INFORMATION THAT IS PROPRIETARY TO MOLEX INCORPORATED AND SHOULD NOT BE USED WITHOUT WRITTEN PERMISSION		

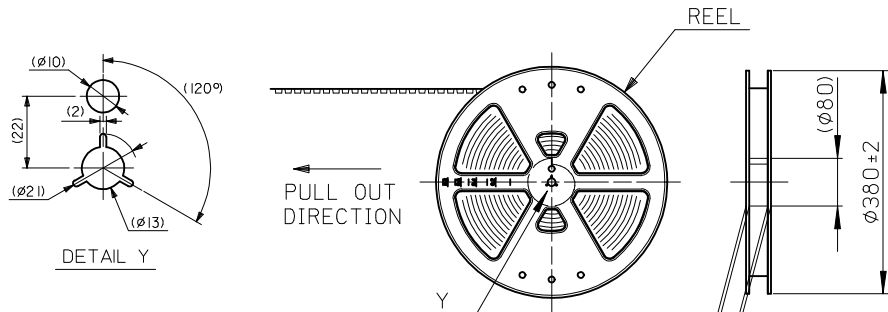
	10	9	8	7		
F	Sn					
	11.8	15.1	19.7	22.6	560020-0800/-0820	8
	11.8	13.1	17.7	20.6	560020-0700/-0720	7
	11.8	12	15.7	18.6	560020-0600/-0620	6
	9.8	10	13.7	16.6	560020-0500/-0520	5
	7.8	8	11.7	14.6	560020-0400/-0420	4
	5.8	6	9.7	12.6	560020-0300/-0320	3
	6.3		8.0	10.9	560020-0200/-0220	2
PLATING	D	C	B	A	EMBOSSED PACKAGE ORDER NO.	CKTS
CONNECTOR SERIES NO. 560020-**08						

	6	5	4	3	2	1
F	Au					
	11.8	15.1	19.7	22.6	560020-0830	8
	11.8	13.1	17.7	20.6	560020-0730	7
	11.8	12	15.7	18.6	560020-0630	6
	9.8	10	13.7	16.6	560020-0530	5
	7.8	8	11.7	14.6	560020-0430	4
	5.8	6	9.7	12.6	560020-0330	3
	6.3		8.0	10.9	560020-0230	2
PLATING	D	C	B	A	EMBOSSED PACKAGE ORDER NO.	CKTS
CONNECTOR SERIES NO. 560020-**18						

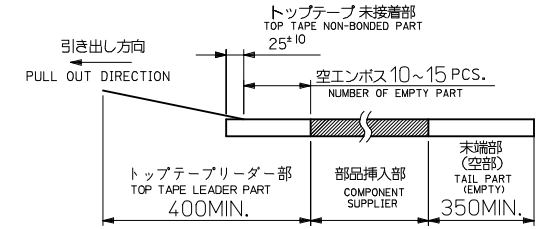
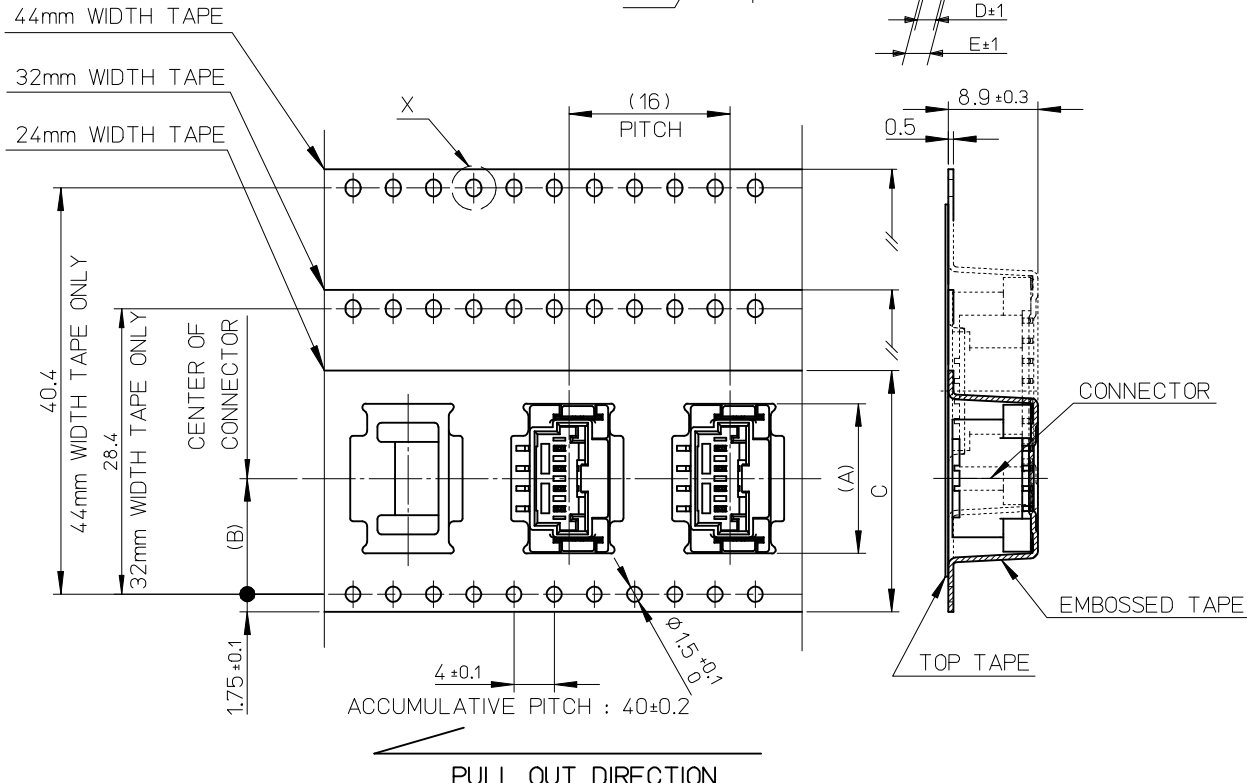
D						
C						
B						
A						

D						
C						
B						
A						

REVISED EC NO: JTR2015-0031 DRW:KNAGA 102 2014/10/02 CHKD:HKOMATSU 2014/10/02 APPR: MAYAMOTO 2014/10/15	GENERAL TOLERANCES (UNLESS SPECIFIED)		DIMENSION STYLE MM ONLY		SCALE 5:1	DESIGN UNITS METRIC	THIRD ANGLE PROJECTION	
	10 UNDER	±0.2	DRAWN BY SHSHIBATA	DATE 2009/02/18	TITLE 2.0MM PITCH W/B CONN. WAFER ASSY ST. SMT			
	10 OVER 30 UNDER	±0.25	CHECKED BY HKOMATSU	DATE 2009/02/18				
	30 OVER	±0.3	APPROVED BY AKANESHIGE	DATE 2009/02/18	 DOCUMENT NO. SD-560020-001 SHEET NO. 3 OF 3			
	ANGULAR ±1 °		MATERIAL NO. SEE CHART					
DRAFT WHERE APPLICABLE MUST REMAIN WITHIN DIMENSIONS		THIS DRAWING CONTAINS INFORMATION THAT IS PROPRIETARY TO MOLEX INCORPORATED AND SHOULD NOT BE USED WITHOUT WRITTEN PERMISSION						



- NOTES
- 製品番号: 560020-**20, 560020-**30
 詳細寸法については、製品単体図面を参照ください。
 PART NO. 560020-**20, 560020-**30
 SEE SALES DRAWING FOR CONNECTOR
 - 梱包数量: 650個/REEL
 NUMBER OF CONNECTORS 650 PCS/REEL
 - リードテープ長さ
 LEAD TAPE LENGTH



4. 材料
 MATERIAL
 キャリアテープ: ポリスチレン
 CARRIER TAPE: POLYSTYRENE
 トップテープ: PET, PE, PEF
 TOP TAPE
 リール: ポリスチレン
 REEL: POLYSTYRENE

PULL OUT DIRECTION
 DIRECTION OF CONNECTOR
 IN EMBOSSED TAPE

REVISED EC NO: JTR2015-0031 DRWN:YTAMAKI 2014/09/19 CHKD:HKOMATSU 2014/09/19 APPR: MAYAMOTO 2014/10/15	DESCRIPTION A	GENERAL TOLERANCES (UNLESS SPECIFIED)		DIMENSION STYLE MM ONLY	SCALE 2:1	DESIGN UNITS METRIC	THIRD ANGLE PROJECTION	
		10 UNDER	±0.2	DRAWN BY YTAMAKI	DATE 2014/05/23	TITLE 2.0MM PITCH W/B ST. WAFER ASSY EMBOSSED TAPE PACKAGE		
		10 OVER 30 UNDER	±0.25	CHECKED BY HKOMATSU	DATE 2014/05/23	molex		
		30 OVER	±0.3	APPROVED BY MAYAMOTO	DATE 2014/06/30			
ANGULAR ±1° DRAFT WHERE APPLICABLE MUST REMAIN WITHIN DIMENSIONS		MATERIAL NO. SEE CHART	DOCUMENT NO. SD-560020-003		SHEET NO. 1 OF 2			
THIS DRAWING CONTAINS INFORMATION THAT IS PROPRIETARY TO MOLEX INCORPORATED AND SHOULD NOT BE USED WITHOUT WRITTEN PERMISSION								

