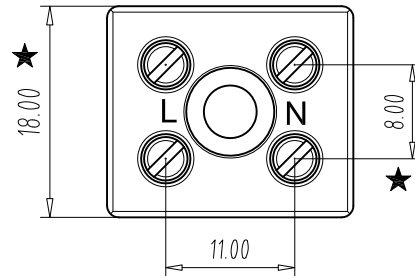


| REV | E.C.N NO. | CONTENT | CHK | DATE |
|------|-----------|----------------------------------|-----|----------|
| V0.0 | | ORIGINAL | WG | 13.10.26 |
| V0.1 | | TOLERANCE ACCORDING TO DIN 40680 | WG | 14.03.18 |



技术参数/technical data :

额定电压/Rated voltage: 450V (IEC) , 300V (UL)

额定电流/Rated current: 32A (IEC) , 20A (UL)

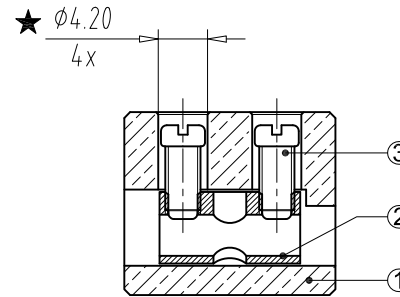
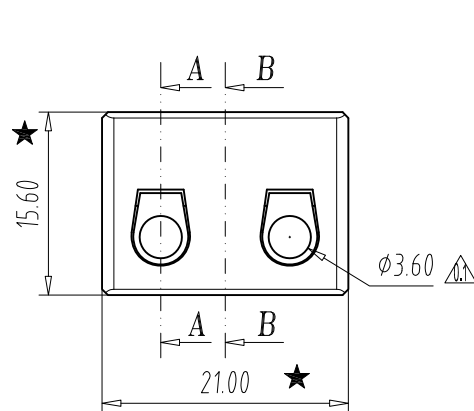
接线容量/Wire range: 1.5mm²-4mm² MAX 6mm²Sol, 22-12AWG

剥线长度/Strip length: 5.0-6.0mm

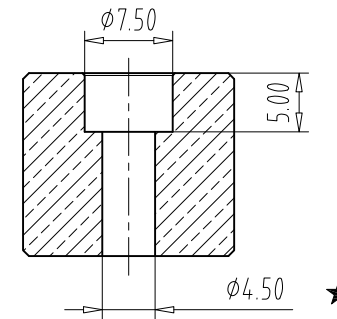
螺纹及扭力/Screw&torque: M3 screw ; Torque 0.5Nm /4.5lbf-in

工作温度/Operating temp. : -40°C ~ +200°C

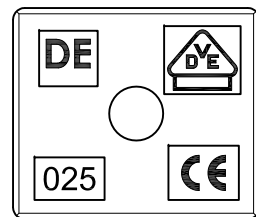
RoHS compliance



Section A--A



Section B--B



| 3 | Screw | TLS00054 | 4 | Steel | Zn plated |
|------|--------------|-------------|----------|------------|-----------|
| 2 | Block | TL010B0019 | 2 | Brass | Ni plated |
| 1 | HOUSING | TLB34A0002 | 1 | Porcelain | |
| ITEM | NAME OF PART | NO. OF PART | Q'TY | MATERIAL | NOTE |
| DWG. | WG | DATE | 13.10.26 | UNITS | MM |
| CHK. | | DATE | | SCALE | 1:1 |
| APP. | | DATE | | | |
| | | | NAME | | |
| | | | DWGNO. | DESTB-0252 | |

| Nominal dimension range in mm | | | | | | | | | | | | | | | | | | ⊥ | ≡ | - | // | | |
|-------------------------------|--------|--------|--------|---------|---------|---------|---------|---------|---------|---------|---------|---------|---------|----------|----------|----------|----------|--------|---------|----------|----------|-----|-----|
| over 0 | over 4 | over 6 | over 8 | over 10 | over 13 | over 16 | over 20 | over 25 | over 30 | over 40 | over 50 | over 60 | over 80 | over 100 | over 120 | over 150 | over 200 | over 0 | over 10 | over 100 | over 150 | | |
| to 4 | to 6 | to 8 | to 10 | to 13 | to 16 | to 20 | to 25 | to 30 | to 40 | to 50 | to 60 | to 80 | to 100 | to 120 | to 150 | to 200 | to 500 | to 10 | to 100 | to 150 | to 150 | | |
| ±0.15 | ±0.20 | ±0.25 | ±0.3 | ±0.35 | ±0.40 | ±0.45 | ±0.50 | ±0.55 | ±0.60 | ±0.70 | ±0.90 | ±1.20 | ±1.60 | ±2.00 | ±2.50 | ±3.00 | ±4.20 | 0.3 | 0.5 | 0.4 | 0.4 | 0.6 | 0.9 |