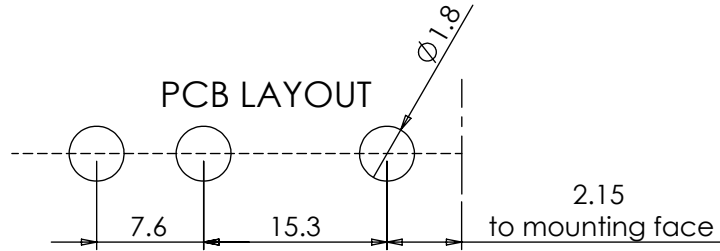
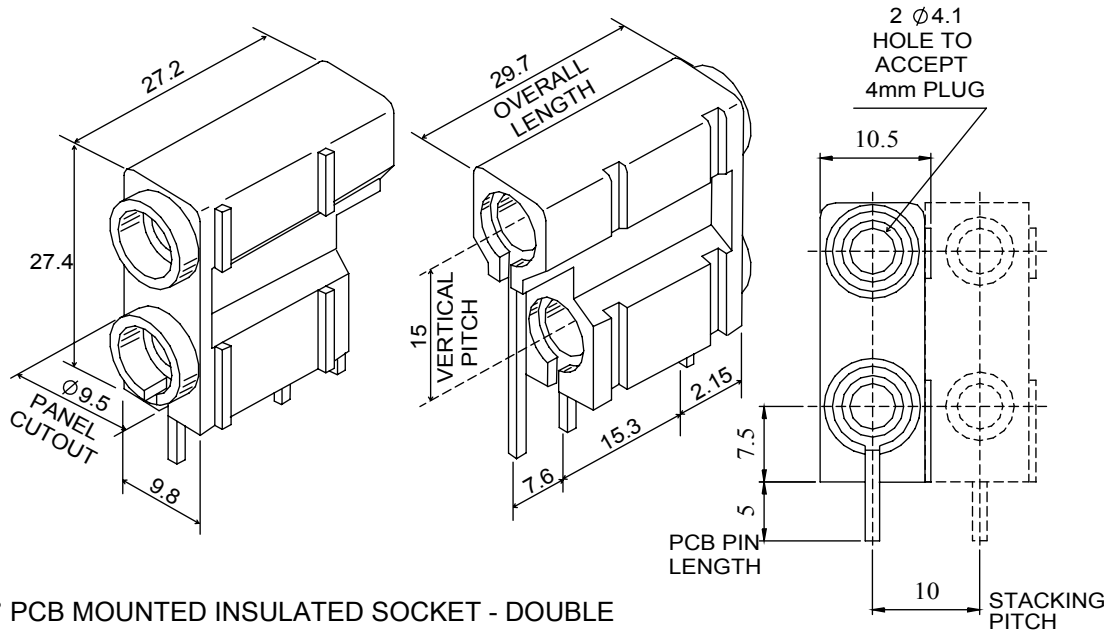


A double insulated 4mm socket, for direct mounting onto printed circuit boards. Has grooves in the outer acetal housing which provide side stacking alignment.

Component complies with 260° deg J-STD-075
Non-IC Electronic Components Standard



Dimensions



90° PCB MOUNTED INSULATED SOCKET - DOUBLE

Product information and Ratings - 572 Range = 4mm PCB Double Socket

Insulant	Acetal-LG chemical LUCCEL N127-LD/DN127-LD	Acetal - C27021 R
Pin	Brass silver plate	Brass Micron Silver Plated Deltron Spec 09-001
Bush	Brass silver plate	Brass Micron Silver Plated Deltron Spec 10-001
Amps	10A	
Nominal working Voltage	250 V RMS	
Contact Resistance	10mΩ	
Maximum Temperature RTI	+ 110°C	
Minimum temperature	- 25°C	
Recommended Temperature	10A'@55°C	
Voltage Breakdown	5000v	
Conductor size	1.5mm ²	
Colours	ORDER CODE	
Black	572-0100	
Blue	572-0200	
Brown	572-0300	
Green	572-0400	
Red	572-0500	
White	572-0600	
Yellow	572-0700	

Tel No. +44(0)1724 273200 Website www.dem-uk.com

PROPRIETARY AND CONFIDENTIAL
THE INFORMATION CONTAINED IN THIS DRAWING IS THE SOLE PROPERTY OF
ALPHA 3 MANUFACTURING.
ANY REPRODUCTION IN PART OR AS A WHOLE WITHOUT THE WRITTEN PERMISSION OF
ALPHA 3 MANUFACTURING IS PROHIBITED.

UNLESS OTHERWISE SPECIFIED:
DIMENSIONS ARE IN MILLIMETRES
LINEAR TOLERANCE:
NO DECIMAL PLACES ±0.5mm
1 DECIMAL PLACE ±0.25mm
2 DECIMAL PLACES ±0.125mm
ANGULAR TOLERANCE: ±1°

FINISH -
DEBURR AND BREAK SHARP EDGES -
IF IN DOUBT ASK
DO NOT SCALE DRAWING

THIRD ANGLE PROJECTION

DRAWN BY SPB
APPROVED BY WC

SHEET 1 OF 1
SCALE 1:1
A4

TITLE GENERAL SPECIFICATION
FOR
572 SERIES

DRAWING NO. 572 SERIES

ISSUE **08**
Release



DEM Manufacturing, Deltron Emcon House
Hargreaves Way, Sawcliffe Ind. Park,
Scunthorpe, North Lincolnshire, DN15 8RF, UK