

THIS DRAWING IS UNPUBLISHED. RELEASED FOR PUBLICATION 20
 © COPYRIGHT 20 BY - ALL RIGHTS RESERVED.

LOC	DIST	REVISIONS					
CM	00	P	LTR	DESCRIPTION	DATE	DWN	APVD
			A1	REVISED PER ECR-12-003555	19APR2012	RS	DD
			A2	REVISED PER ECR-12-016877	20OCT2012	RS	DD
			A3	REVISED PER ECR-12-019505	25JAN2013	RS	DD
			A4	REVISED PER ECR-13-007047	16MAY2013	RS	DD

1 MATERIALS AND FINISH:
 - HOUSING: LCP, COLOR: NATURAL
 - CONTACTS: COPPER ALLOY, FINISH: Sn OVER Ni

2. COMPLY WITH DIRECTIVE 2002/95/EC (ROHS).

3. 18-22AWG SOLID OR STRANDED WIRE, PRE-BONDED,
 19 STRANDS OR LESS:
 18AWG MAX INSULATION OD: 2.20
 20AWG MAX INSULATION OD: 1.90
 22AWG MAX INSULATION OD: 1.70
 24AWG MAX INSULATION OD: 1.45

4. PACKAGE IN TAPE AND REEL. PER EIA-481 SPECIFICATION;
 (EXCEPT 1 POSITION CONNECTOR).

5 WIRE SIZE MARKING IN APPROXIMATE LOCATION SHOWN.


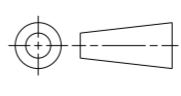
6 DATUMS AND BASIC DIMENSIONS ESTABLISHED BY CUSTOMER.

7 COLOR CODE MARKING, STRAIGHT LINE.

8 1 POSITION ASSEMBLY DOES NOT COMPLY WITH EIA 481 SPECIFICATION.

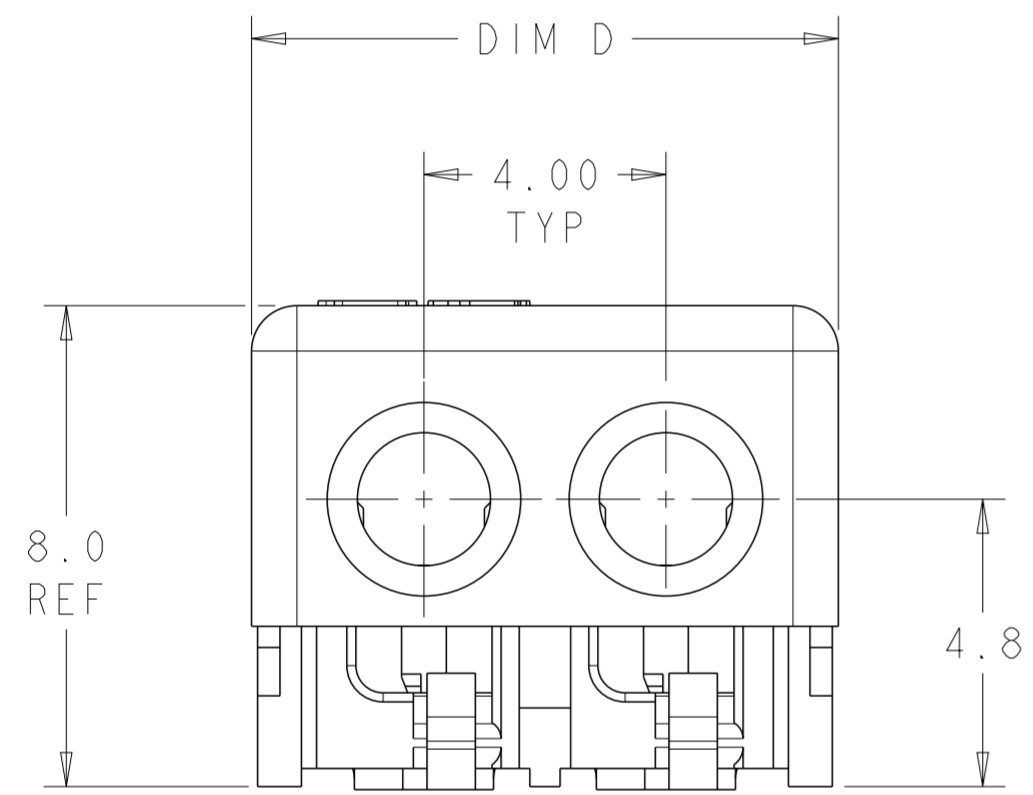
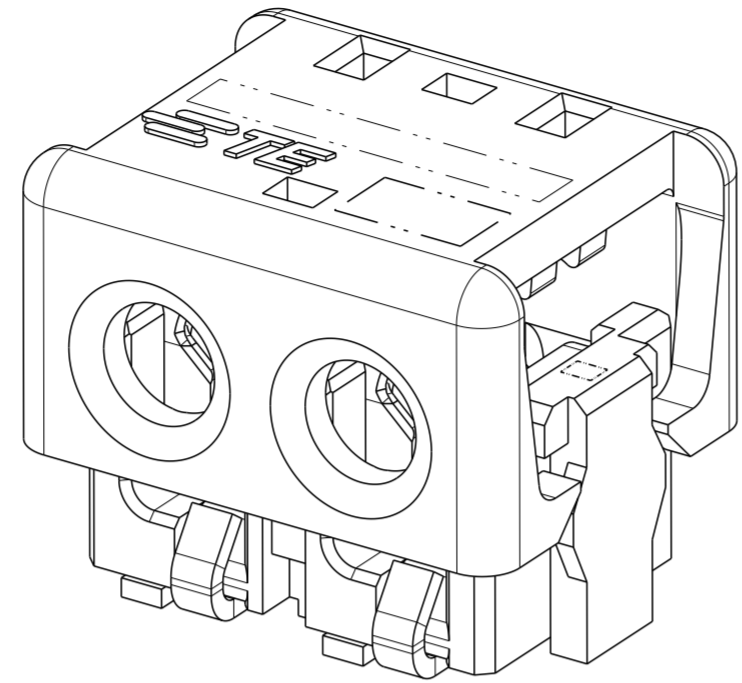
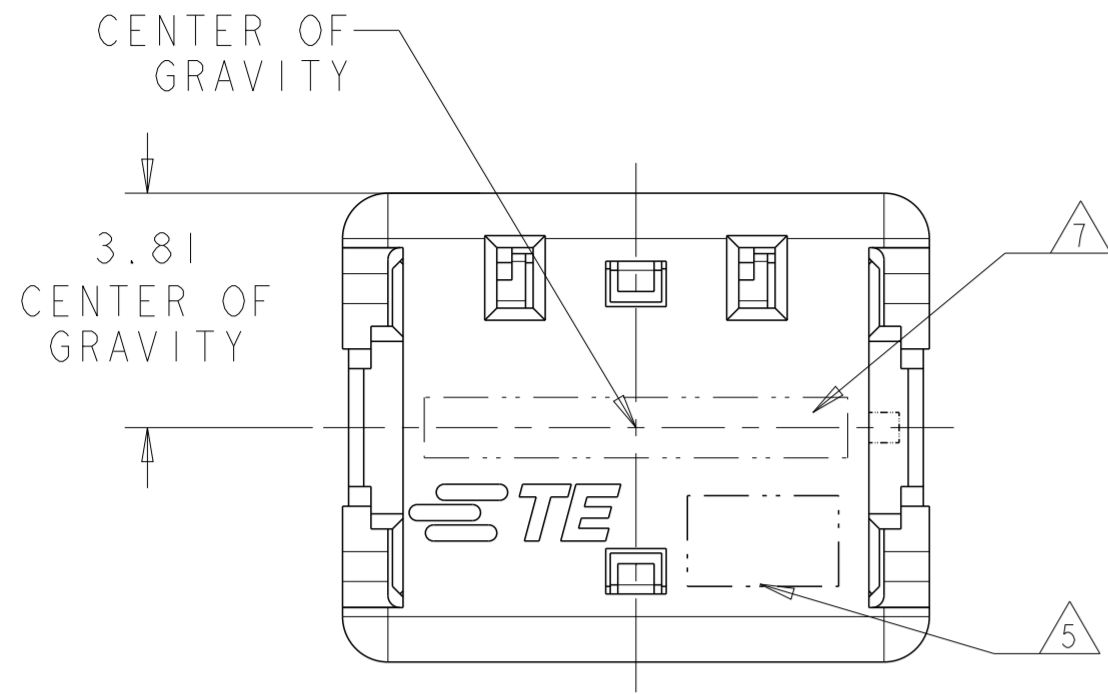
9 PART NUMBER, NOT UL RECOGNIZED

BLUE	9.70	20 AWG	2	BLACK	5-2106003-2	9
RED	17.70	24 AWG	4	NATURAL	3-2106003-4	
	13.70	24 AWG	3	NATURAL	3-2106003-3	
	9.70	24 AWG	2	NATURAL	3-2106003-2	
GREEN	5.70	24 AWG	1	NATURAL	3-2106003-1	
	17.70	22 AWG	4	NATURAL	2-2106003-4	8
	13.70	22 AWG	3	NATURAL	2-2106003-3	
BLUE	9.70	22 AWG	2	NATURAL	2-2106003-2	
	5.70	22 AWG	1	NATURAL	2-2106003-1	8
	17.70	20 AWG	4	NATURAL	1-2106003-4	
BLUE	13.70	20 AWG	3	NATURAL	1-2106003-3	
	9.70	20 AWG	2	NATURAL	1-2106003-2	
	5.70	20 AWG	1	NATURAL	1-2106003-1	8
YELLOW	17.70	18 AWG	4	NATURAL	2106003-4	
	13.70	18 AWG	3	NATURAL	2106003-3	
	9.70	18 AWG	2	NATURAL	2106003-2	
	5.70	18 AWG	1	NATURAL	2106003-1	8
COLOR CODE	DIM D	WIRE SIZE	POSN	COLOR	PART NUMBER	

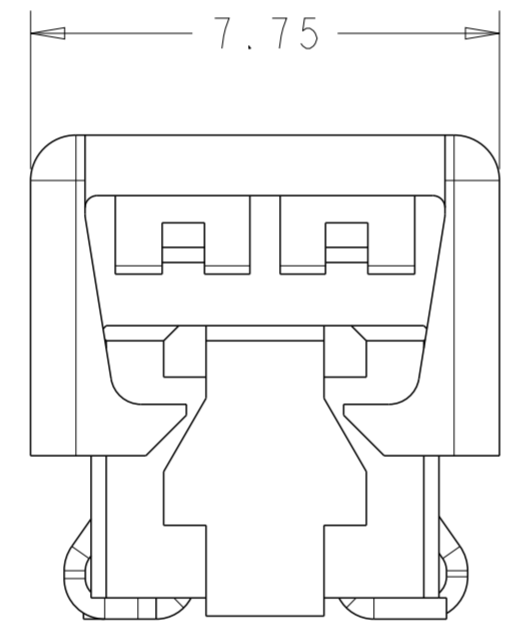
THIS DRAWING IS A CONTROLLED DOCUMENT.		DWN C DAILY 09DEC2008	 TE Connectivity			
		CHK J DYER 09DEC2008				
DIMENSIONS: mm	TOLERANCES UNLESS OTHERWISE SPECIFIED:	APVD	NAME			
	0 PLC ± 1 PLC ±0.5 2 PLC ±0.13 3 PLC ± 4 PLC ± ANGLES ± FINISH ±	PRODUCT SPEC 108-2404	ASSEMBLY, IDC SSL CONNECTOR, SMT, CLOSED END			
MATERIAL		APPLICATION SPEC 114-13266	SIZE A2	CAGE CODE 00779	DRAWING NO C-2106003	RESTRICTED TO
		WEIGHT	SCALE 9:1		SHEET 1 OF 4	REV A4
		Customer Drawing				

THIS DRAWING IS UNPUBLISHED. RELEASED FOR PUBLICATION 20
 © COPYRIGHT 20 BY - ALL RIGHTS RESERVED.

LOC	DIST	REVISIONS					
CM	00	P	LTR	DESCRIPTION	DATE	DWN	APVD
		-		SEE SHEET 1			



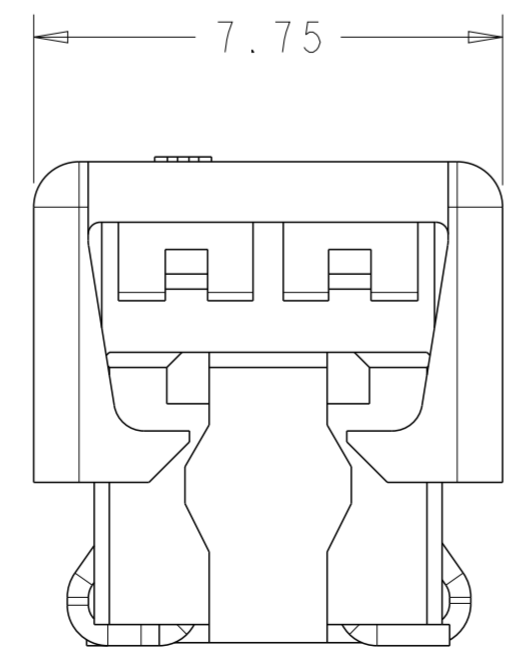
2 POSITION
 SHOWN AS SHIPPED



FOR 1 POSITION ONLY



2 POSITION
 SHOWN CLOSED
 SCALE 8:1

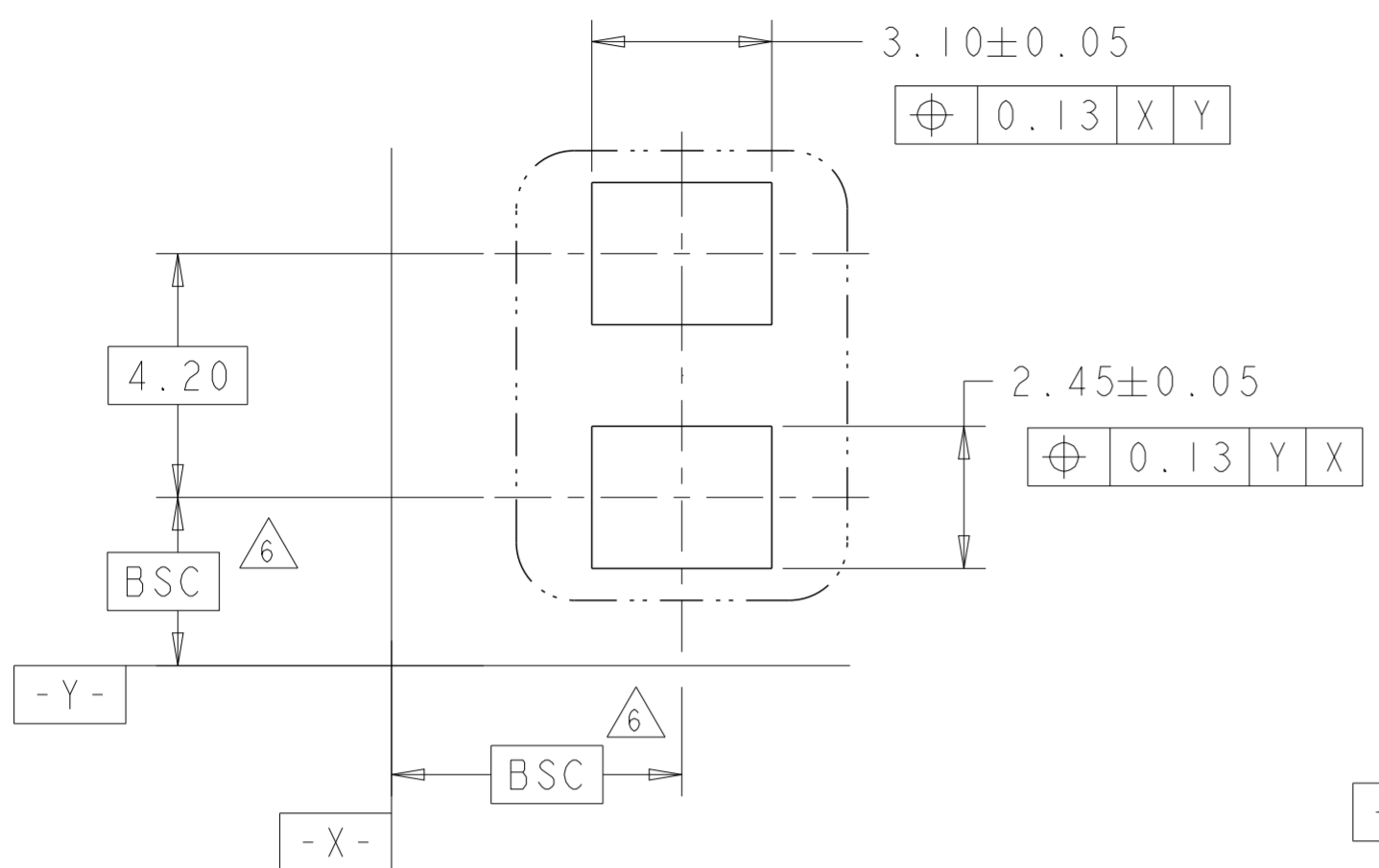


FOR 2, 3 AND 4 POSITIONS

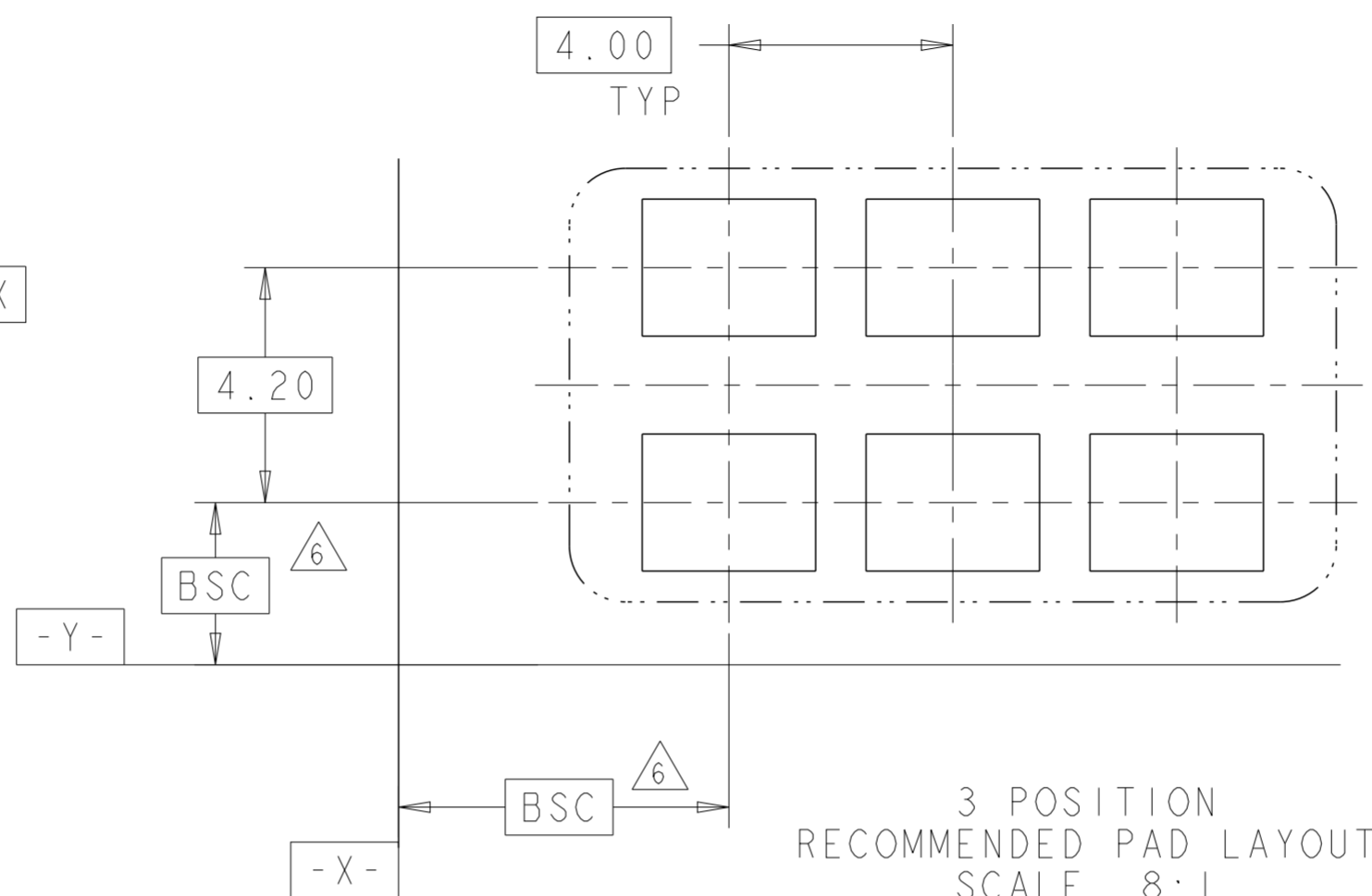
THIS DRAWING IS A CONTROLLED DOCUMENT.		DWN C DAILY 09DEC2008	TE Connectivity	
		CHK J DYER 09DEC2008		
DIMENSIONS:		APVD -	NAME	
mm		PRODUCT SPEC 108-2404	ASSEMBLY, IDC SSL CONNECTOR, SMT, CLOSED END	
TOLERANCES UNLESS OTHERWISE SPECIFIED:		APPLICATION SPEC 114-13266	SIZE A200779	CAGE CODE C-2106003
0 PLC ±		WEIGHT -	DRAWING NO	
1 PLC ±0.5		RESTRICTED TO		
2 PLC ±0.13		Customer Drawing		
3 PLC ±		SCALE 9:1	SHEET 2	OF 4
4 PLC ±		REV A4		
ANGLES ±				
FINISH				

THIS DRAWING IS UNPUBLISHED. RELEASED FOR PUBLICATION 20
 © COPYRIGHT 20 BY - ALL RIGHTS RESERVED.

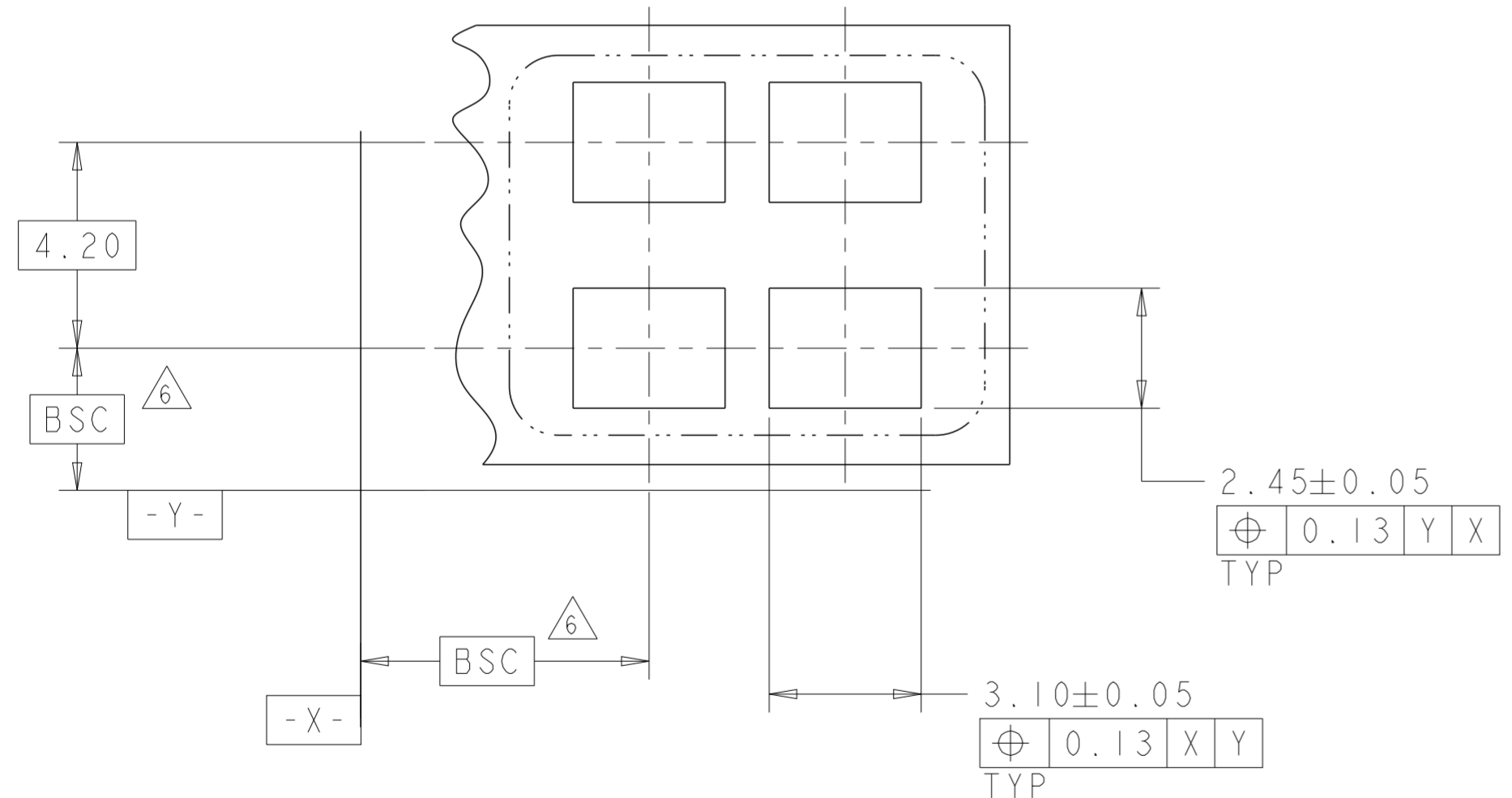
LOC	DIST	REVISIONS					
CM	00	P	LTR	DESCRIPTION	DATE	DWN	APVD
		-		SEE SHEET 1	-	-	-



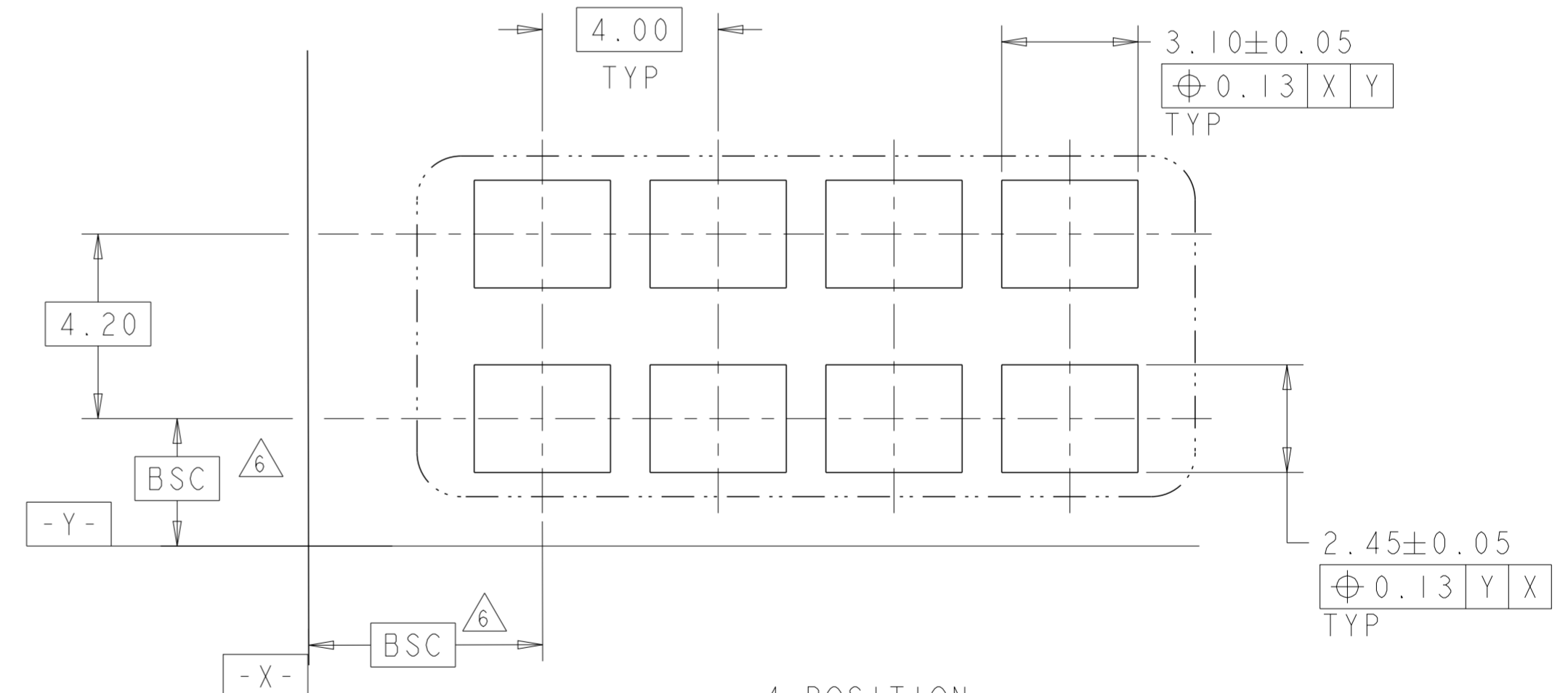
1 POSITION
RECOMMENDED PAD LAYOUT
SCALE 8:1



3 POSITION
RECOMMENDED PAD LAYOUT
SCALE 8:1



2 POSITION
RECOMMENDED PAD LAYOUT
SCALE 8:1

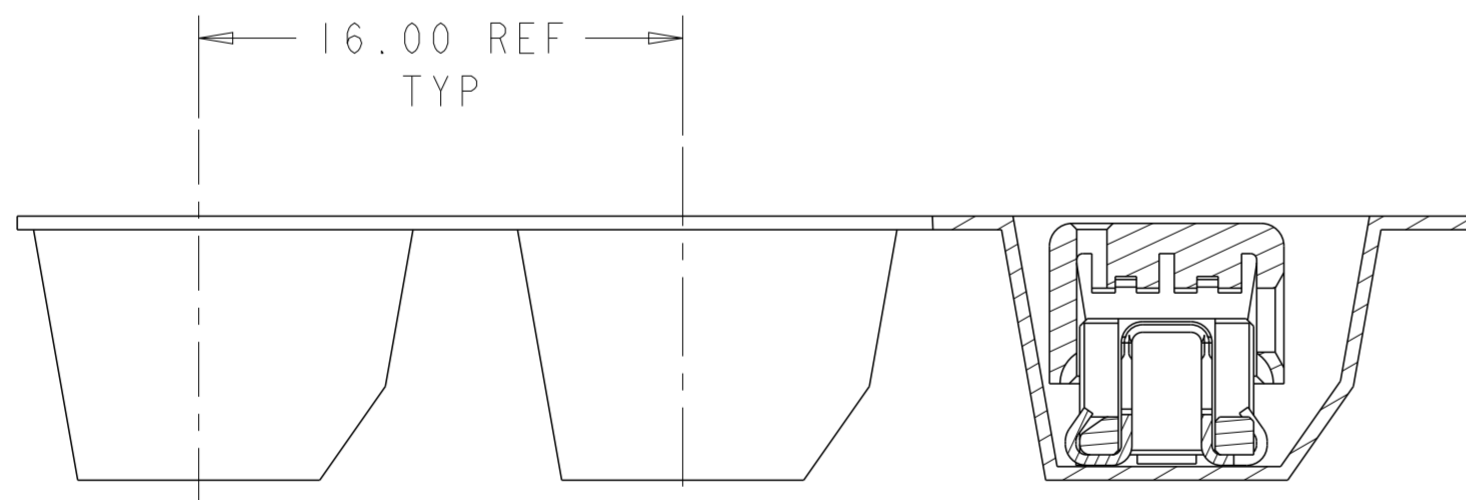
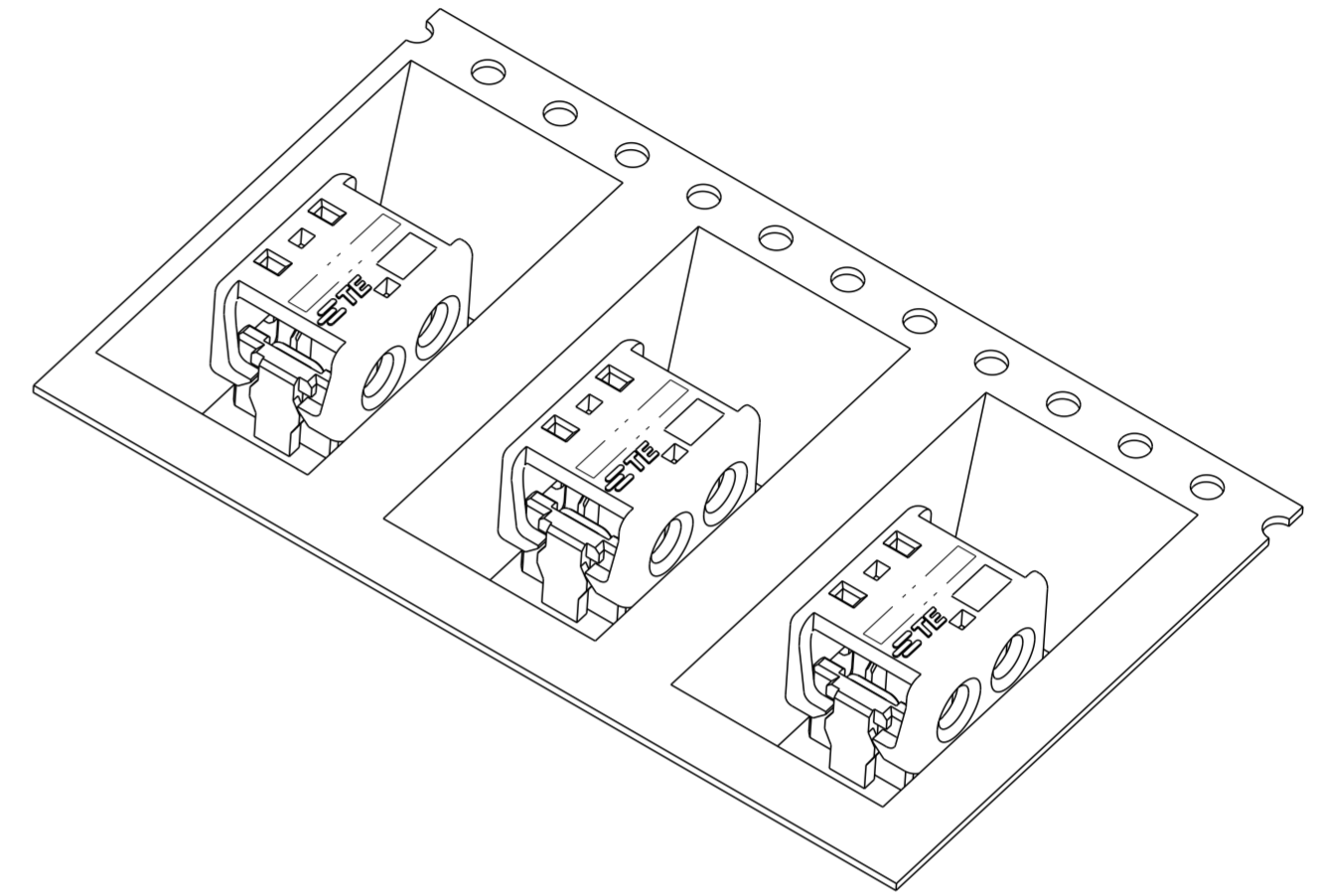
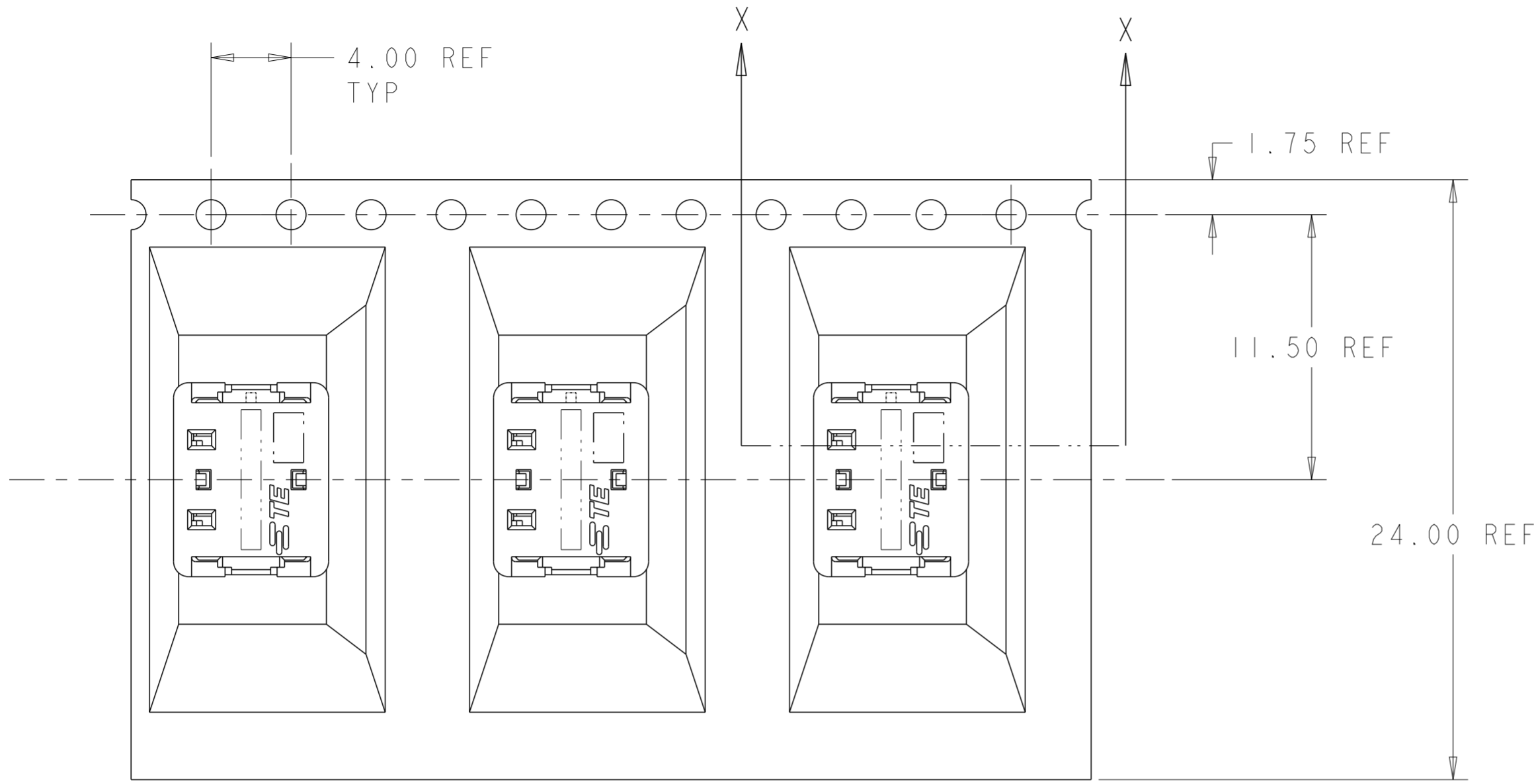


4 POSITION
RECOMMENDED PAD LAYOUT
SCALE 8:1

THIS DRAWING IS A CONTROLLED DOCUMENT.		DWN C DAILY 09DEC2008	TE Connectivity	
		CHK J DYER 09DEC2008		
DIMENSIONS:	TOLERANCES UNLESS OTHERWISE SPECIFIED:	APVD	NAME	
mm	0 PLC ±0.5 1 PLC ±0.5 2 PLC ±0.13 3 PLC ± 4 PLC ±	-	ASSEMBLY, IDC SSL CONNECTOR, SMT, CLOSED END	
MATERIAL	FINISH	PRODUCT SPEC 108-2404	SIZE	CAGE CODE
-	-	APPLICATION SPEC 114-13266	A2	00779
		WEIGHT	DRAWING NO	RESTRICTED TO
		-	C-2106003	-
		Customer Drawing	SCALE 9:1	SHEET 3 OF 4
				REV A4


THIS DRAWING IS UNPUBLISHED. RELEASED FOR PUBLICATION 20
 © COPYRIGHT 20 BY - ALL RIGHTS RESERVED.

LOC	DIST	REVISIONS					
CM	00	P	LTR	DESCRIPTION	DATE	DWN	APVD
		-		SEE SHEET 1	-	-	-



SECTION X-X

2106003-2 SHOWN IN POCKET TAPE

THIS DRAWING IS A CONTROLLED DOCUMENT.		DWN C DAILY 09DEC2008	 TE Connectivity	
		CHK J DYER 09DEC2008		
DIMENSIONS:	TOLERANCES UNLESS OTHERWISE SPECIFIED:	APVD -	NAME	
mm	0 PLC ± 1 PLC ±0.5 2 PLC ±0.13 3 PLC ± 4 PLC ± ANGLES ± FINISH	PRODUCT SPEC 108-2404	ASSEMBLY, IDC SSL CONNECTOR, SMT, CLOSED END	
MATERIAL	-	APPLICATION SPEC 114-13266	SIZE A200779	CAGE CODE C-2106003
		WEIGHT -	DRAWING NO	RESTRICTED TO
		Customer Drawing	SCALE 9:1	SHEET 4 OF 4 REV A4