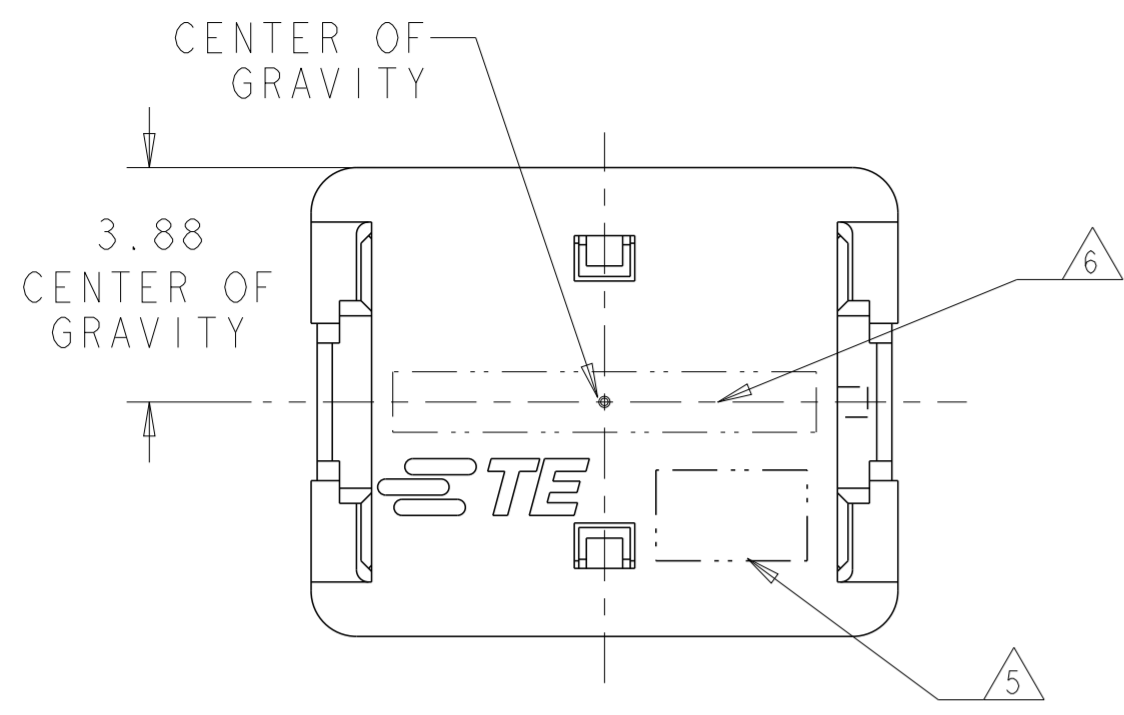
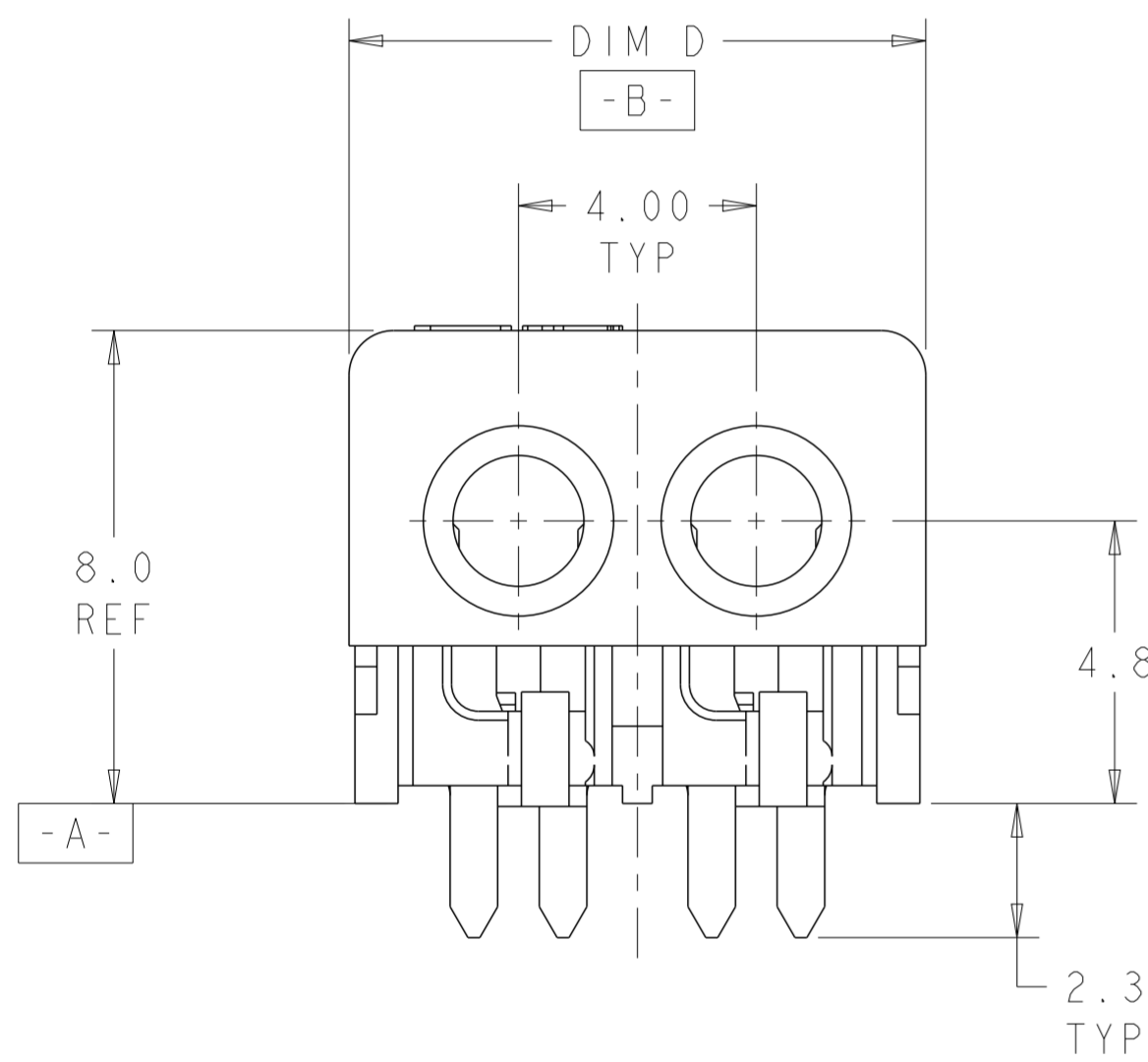


THIS DRAWING IS UNPUBLISHED. RELEASED FOR PUBLICATION 20
 © COPYRIGHT 20 BY - ALL RIGHTS RESERVED.

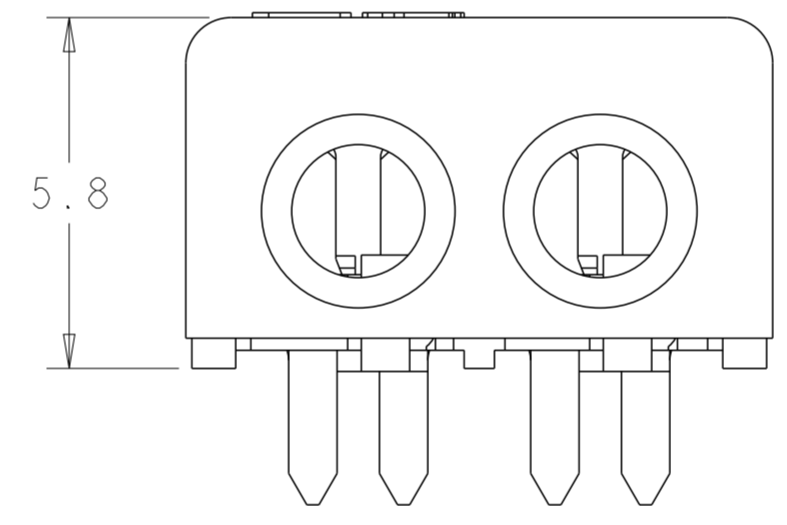
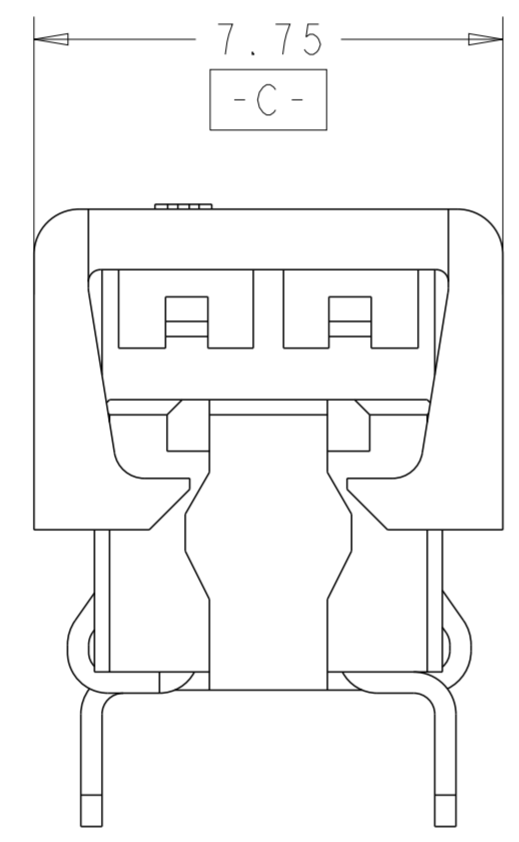
| LOC | | DIST | | REVISIONS | | | |
|-----|-----|---------------------------|--|-----------|-----|------|--|
| P | LTR | DESCRIPTION | | DATE | DWN | APVD | |
| | A | REVISED PER ECR-10-025509 | | 15DEC2010 | HMR | DD | |
| | A1 | REVISED PER ECR-12-003555 | | 19APR2012 | RS | DD | |
| | A2 | REVISED PER ECR-12-016877 | | 20OCT2012 | RS | DD | |



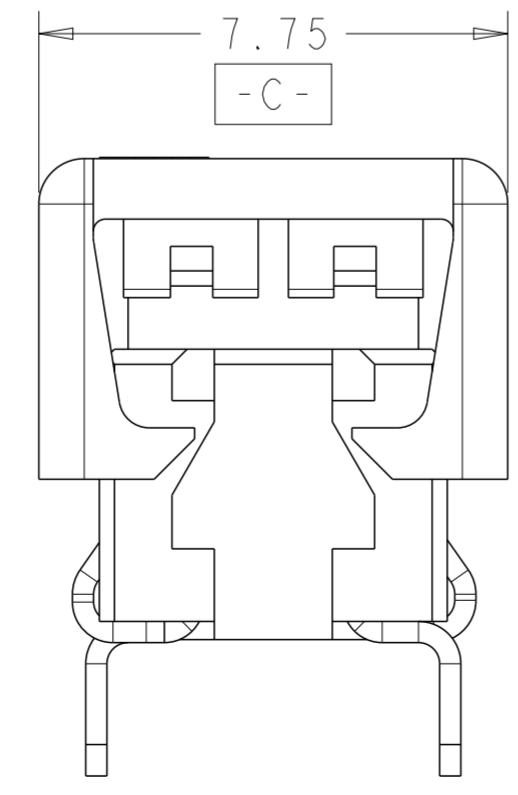
- 1. MATERIALS AND FINISH:
 - HOUSING: LCP, COLOR: NATURAL
 - CONTACTS: COPPER ALLOY, FINISH: Sn OVER Ni
 - 2. COMPLY WITH DIRECTIVE 2002/95/EC (ROHS)
 - 3. 18AWG SOLID OR STRANDED WIRE, PRE-BONDED, 19 STRANDS OR LESS:
 - 18 AWG MAX INSULATION OD 2.20
 - 20 AWG MAX INSULATION OD 1.90
 - 22 AWG MAX INSULATION OD 1.70
 - 24 AWG MAX INSULATION OD 1.45
 - 4. PACKAGE IN TAPE AND REEL PER EIA-481 SPECIFICATION
5. WIRE SIZE MARKING IN APPROXIMATE LOCATION SHOWN.
6. COLOR CODE MARKING, STRAIGHT LINE.
7. ONE POSITION ASSEMBLY DOES NOT COMPLY WITH EIA 481 SPECIFICATION.



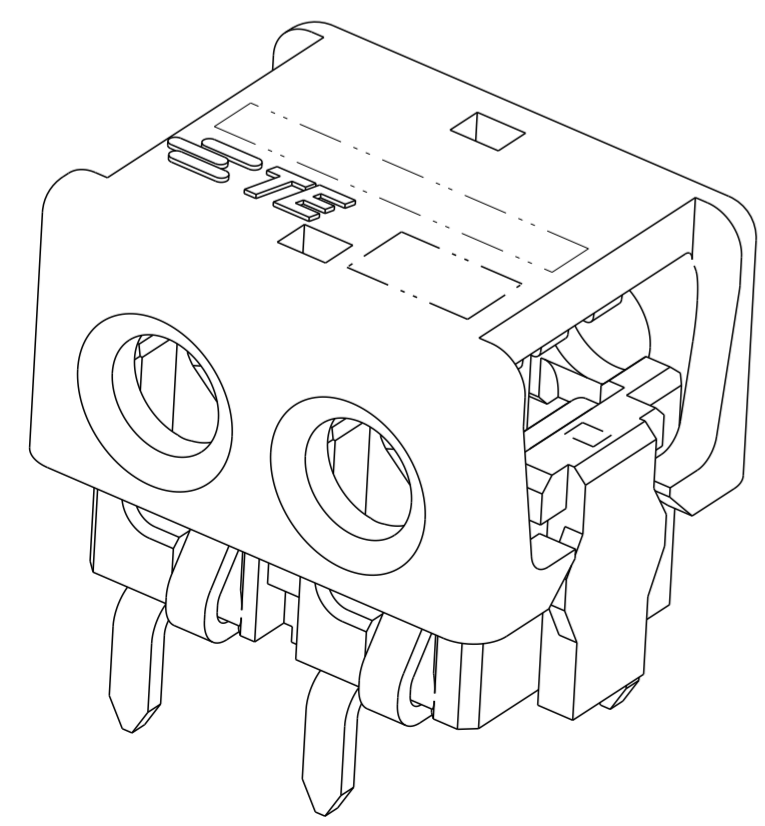
2 POSITION SHOWN AS SHIPPED



| COLOR CODE | DIM D | WIRE SIZE | POSN | PART NUMBER |
|------------|-------|-----------|------|-------------|
| RED | 17.70 | 24 AWG | 4 | 3-2106751-4 |
| | 13.70 | 24 AWG | 3 | 3-2106751-3 |
| | 9.70 | 24 AWG | 2 | 3-2106751-2 |
| | 5.70 | 24 AWG | 1 | 3-2106751-1 |
| GREEN | 17.70 | 22 AWG | 4 | 2-2106751-4 |
| | 13.70 | 22 AWG | 3 | 2-2106751-3 |
| | 9.70 | 22 AWG | 2 | 2-2106751-2 |
| | 5.70 | 22 AWG | 1 | 2-2106751-1 |
| BLUE | 17.70 | 20 AWG | 4 | 1-2106751-4 |
| | 13.70 | 20 AWG | 3 | 1-2106751-3 |
| | 9.70 | 20 AWG | 2 | 1-2106751-2 |
| | 5.70 | 20 AWG | 1 | 1-2106751-1 |
| YELLOW | 17.70 | 18 AWG | 4 | 2106751-4 |
| | 13.70 | 18 AWG | 3 | 2106751-3 |
| | 9.70 | 18 AWG | 2 | 2106751-2 |
| | 5.70 | 18 AWG | 1 | 2106751-1 |



FOR 1 POSITION ONLY



THIS DRAWING IS A CONTROLLED DOCUMENT.

DWN: WM VAN SCYOC 26AUG2009
 CHK: O. OSAGIE 26AUG2009

APVD: -

NAME: -

PRODUCT SPEC: 108-2404

APPLICATION SPEC: 114-13266

WEIGHT: -

Customer Drawing

SCALE: 6:1

SHEET 1 OF 3

REV A2

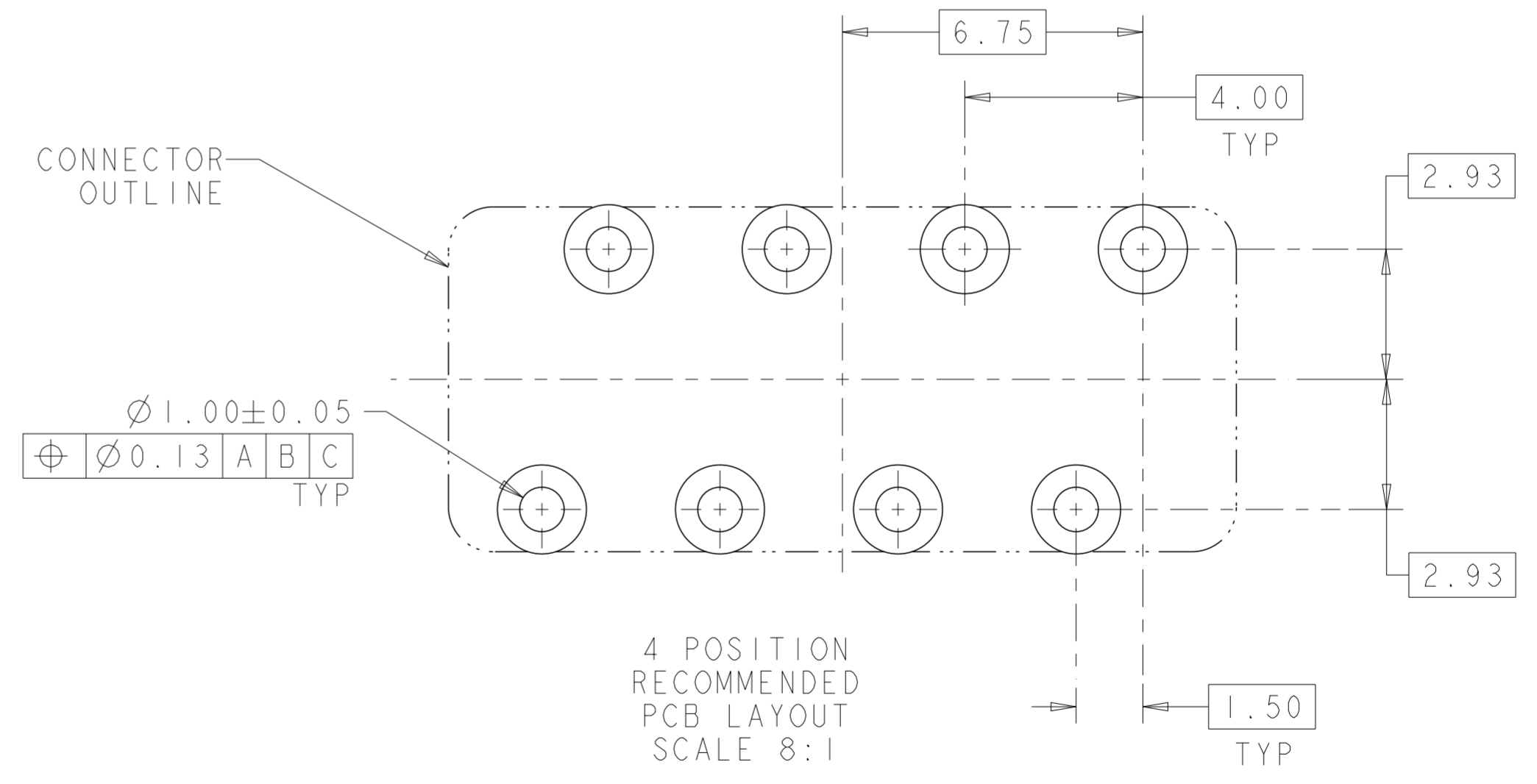
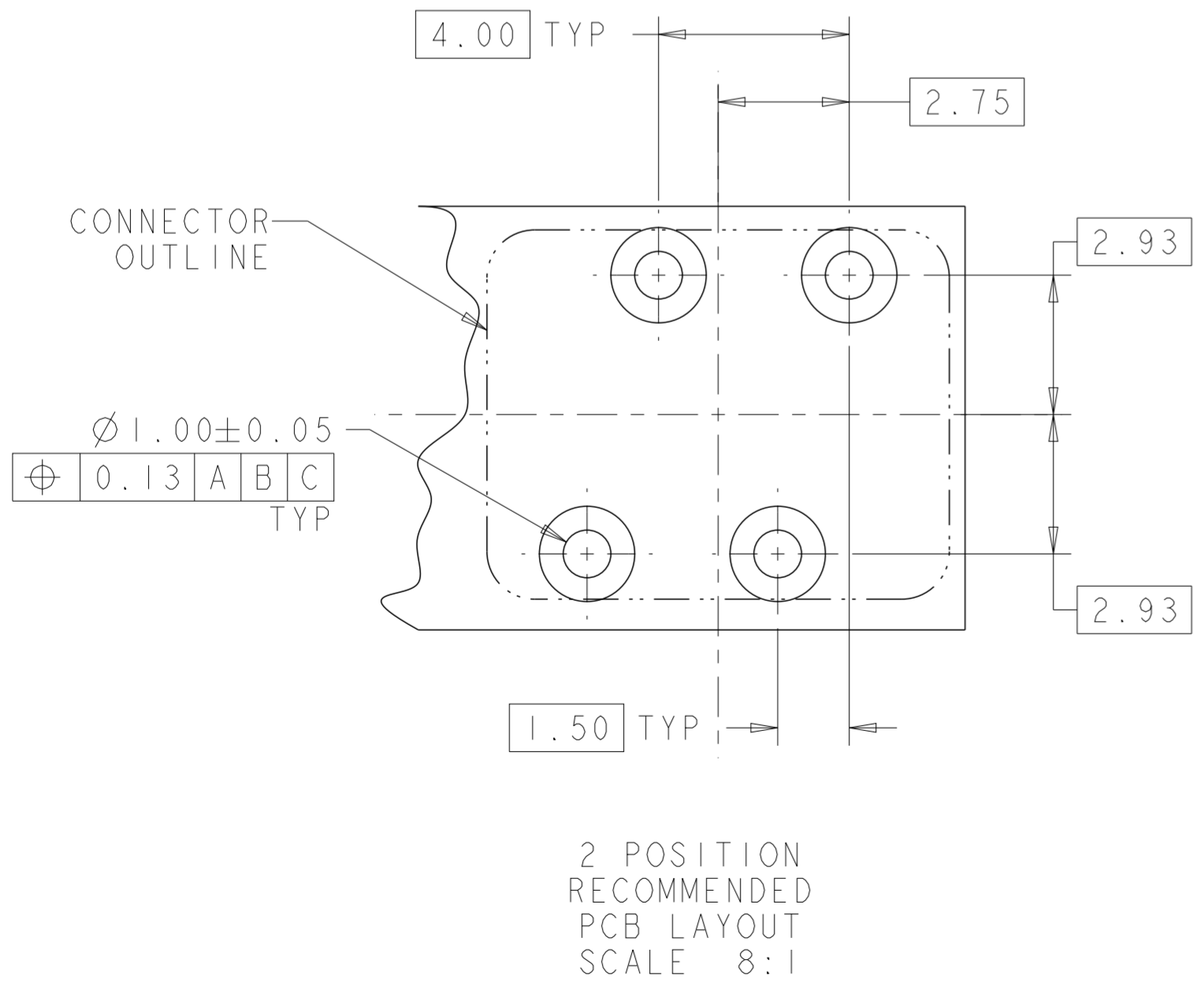
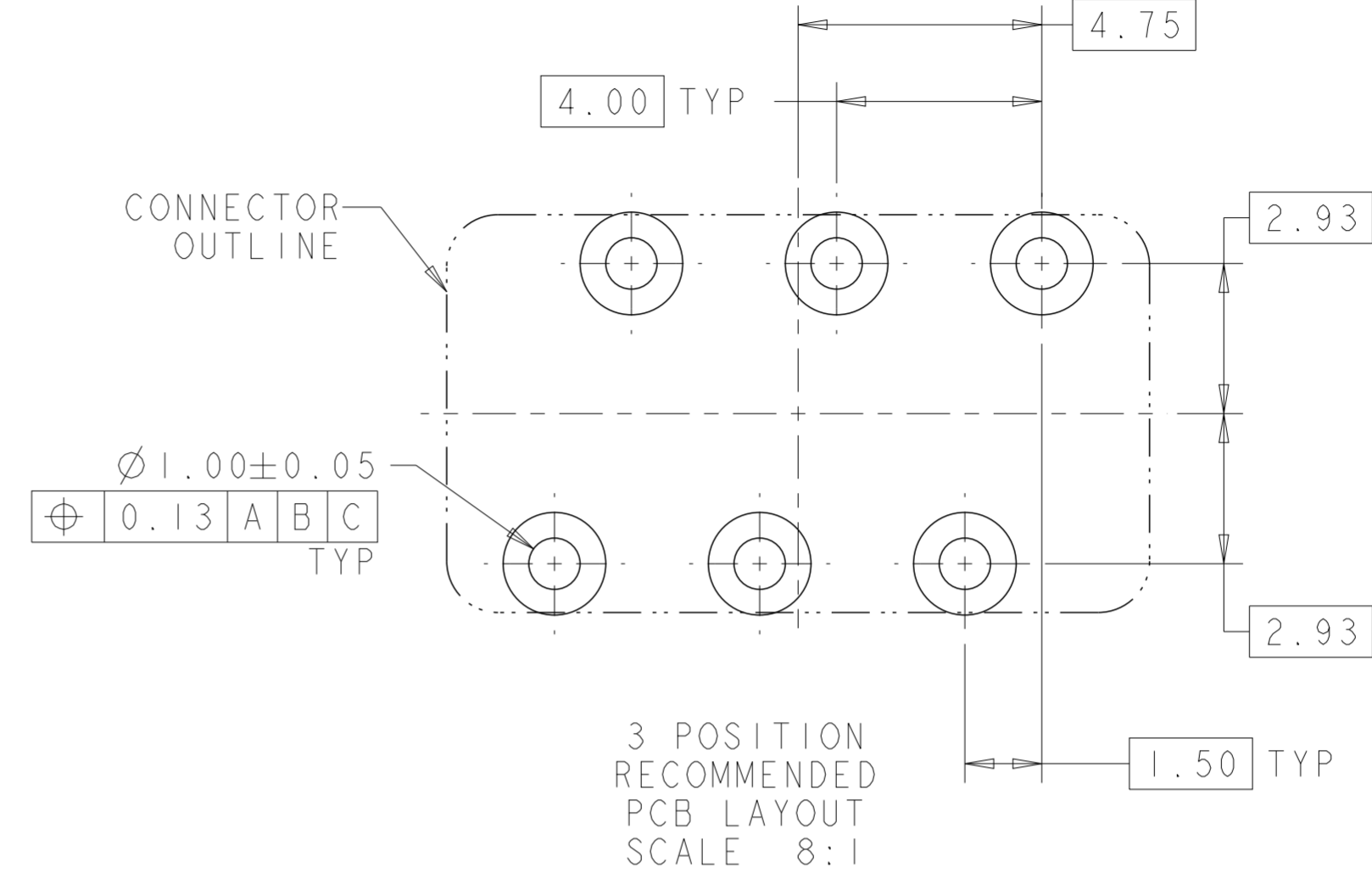
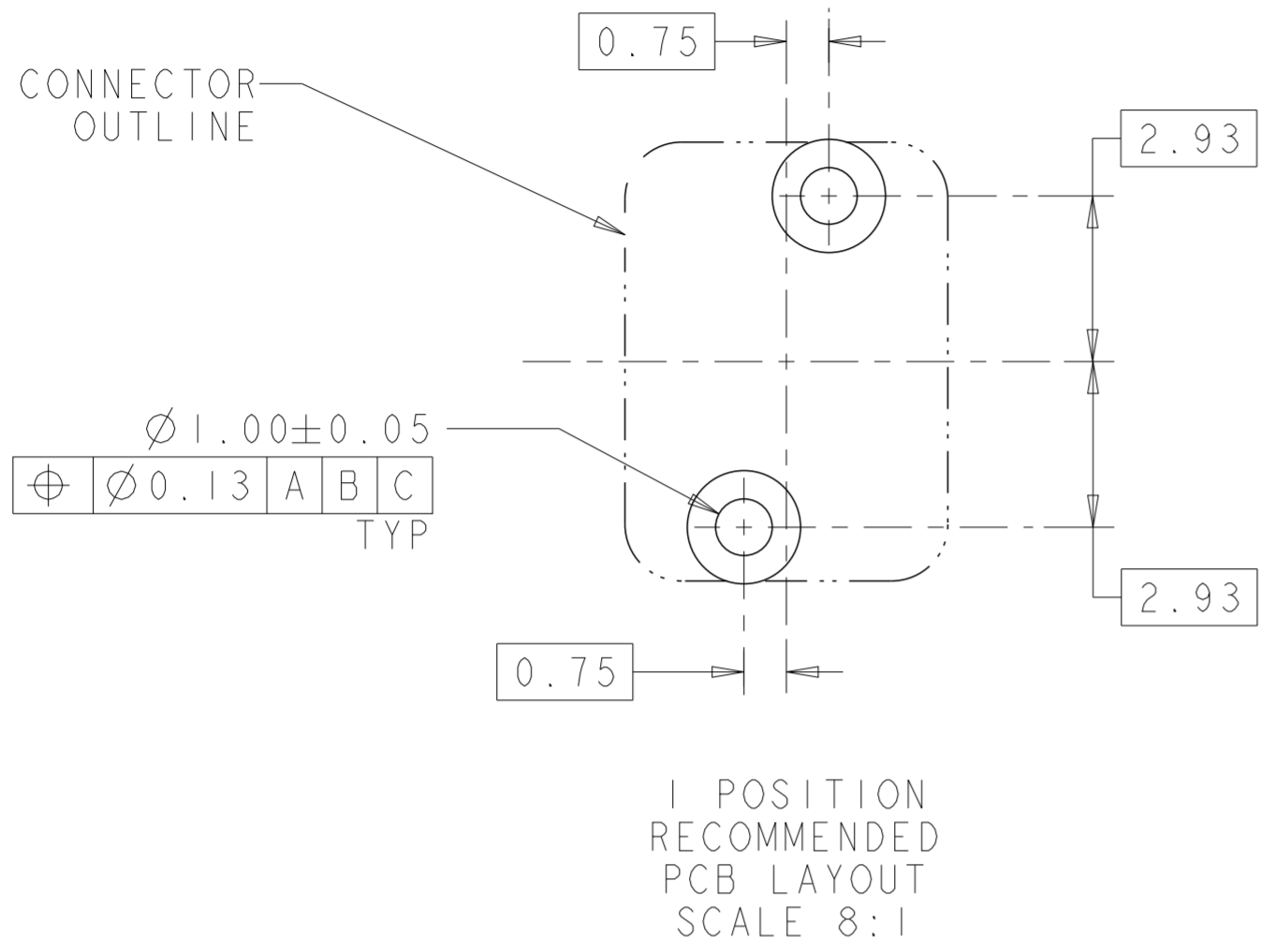
STE TE Connectivity

ASSEMBLY, IDC SSL CONNECTOR, THROUGH HOLE, PASS THRU

SIZE: A2 CAGE CODE: 00779 DRAWING NO: C-2106751

THIS DRAWING IS UNPUBLISHED. RELEASED FOR PUBLICATION 20
 © COPYRIGHT 20 BY - ALL RIGHTS RESERVED.

| LOC | DIST | REVISIONS | | | |
|-----|------|-------------|------|-----|------|
| P | LTR | DESCRIPTION | DATE | DWN | APVD |
| CM | 00 | SEE SHEET 1 | - | - | - |
| | | | | | |
| | | | | | |



THIS DRAWING IS A CONTROLLED DOCUMENT.

DWN: 26AUG2009
 CHK: WM VAN SCYOC
 APVD: O. OSAGIE

TE Connectivity

ASSEMBLY, IDC SSL CONNECTOR, THROUGH HOLE, PASS THRU

108-2404

114-13266

Customer Drawing

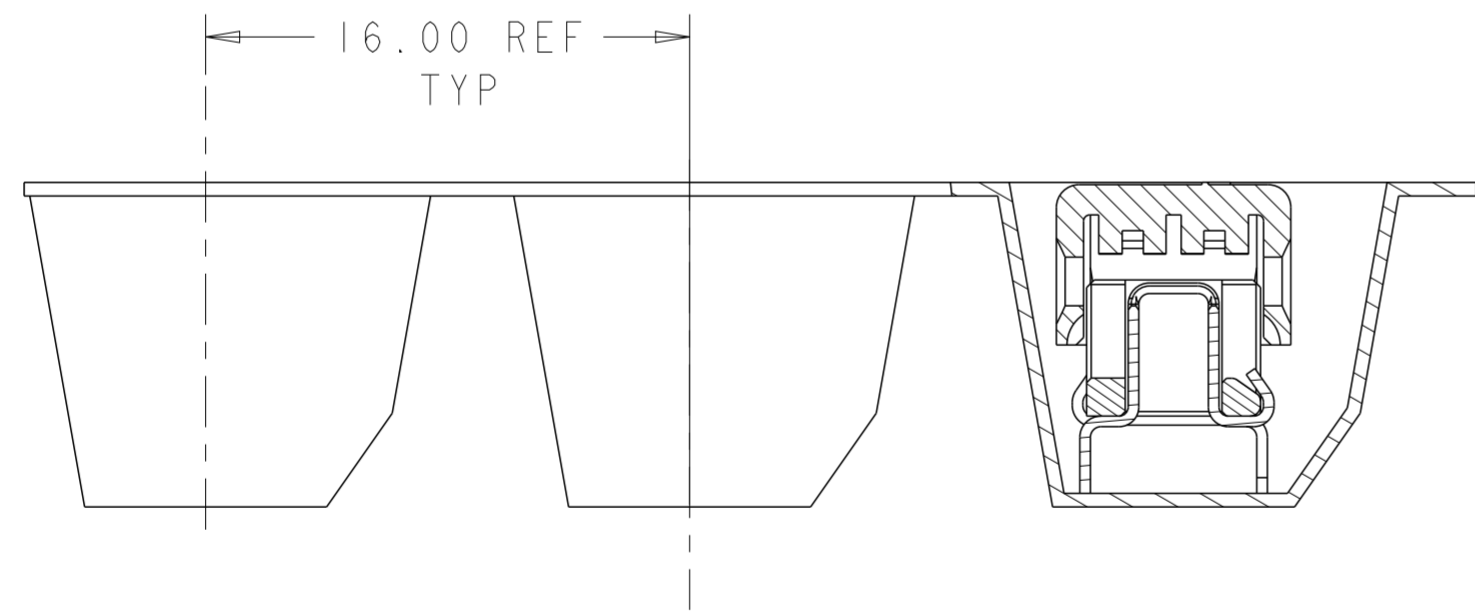
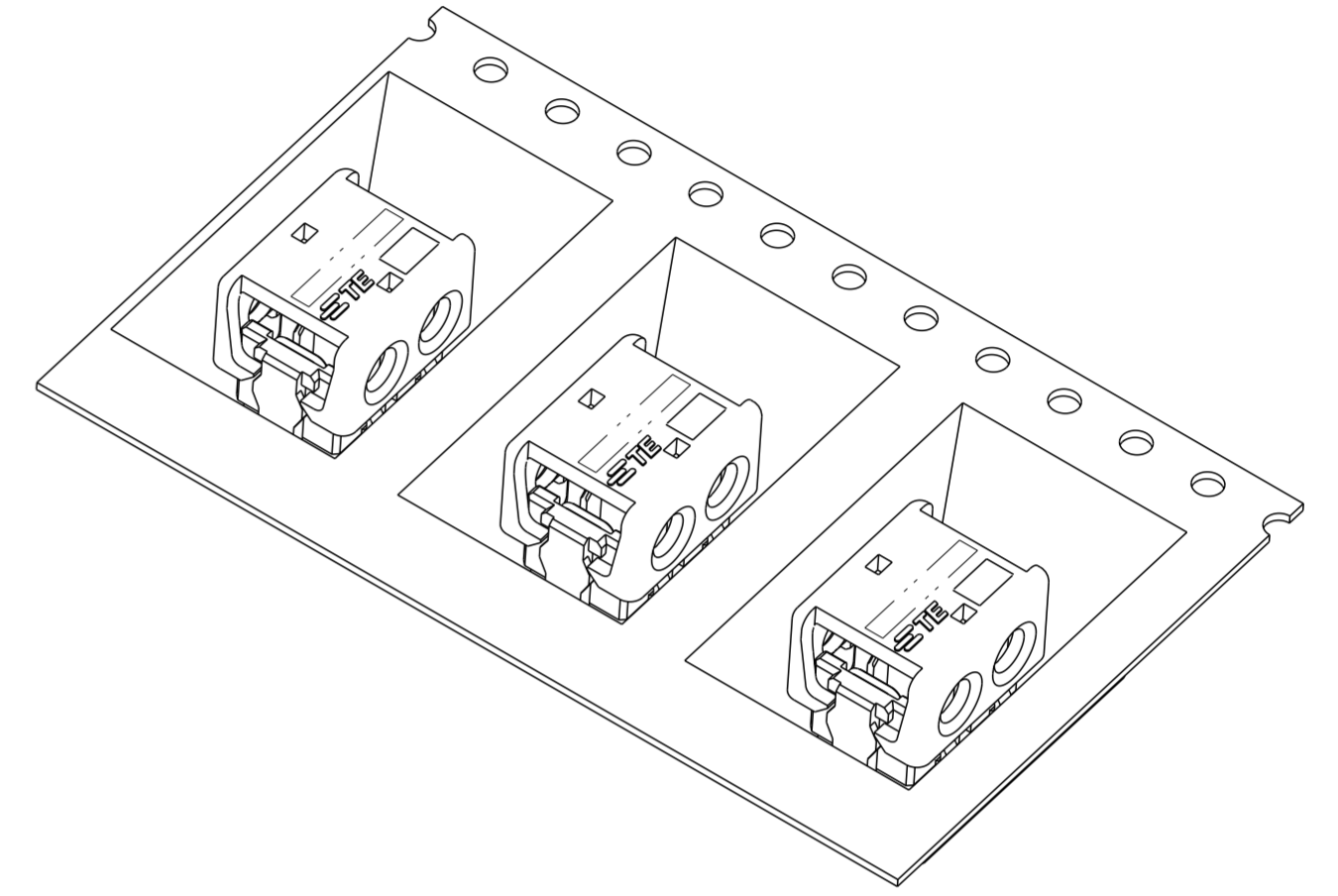
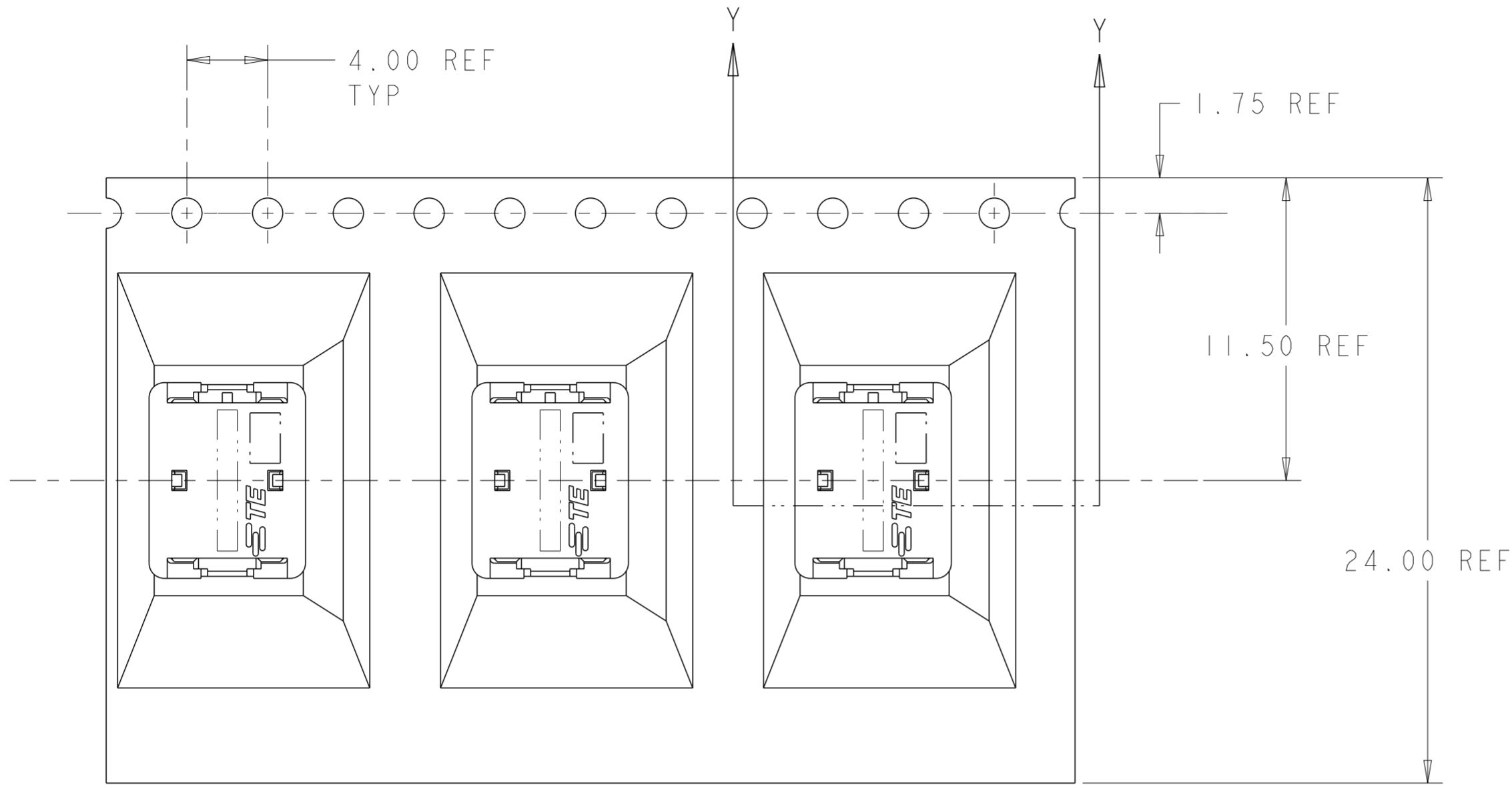
SCALE: 6:1

SHEET 2 OF 3

REV A2


THIS DRAWING IS UNPUBLISHED. RELEASED FOR PUBLICATION 20
 © COPYRIGHT 20 BY - ALL RIGHTS RESERVED.

| LOC | DIST | REVISIONS | | | | | |
|-----|------|-----------|-----|-------------|------|-----|------|
| CM | 00 | P | LTR | DESCRIPTION | DATE | DWN | APVD |
| | | - | | SEE SHEET 1 | - | - | - |
| | | | | | | | |
| | | | | | | | |



SECTION Y-Y

2106751-2 SHOWN IN POCKET TAPE

| | | | | |
|--|--|---|---|--|
| THIS DRAWING IS A CONTROLLED DOCUMENT. | | DWN 26AUG2009 WM VAN SCYOC |  TE Connectivity | |
| DIMENSIONS: mm | | CHK 26AUG2009 O. OSAGIE | | |
| TOLERANCES UNLESS OTHERWISE SPECIFIED: | | PRODUCT SPEC | | NAME ASSEMBLY, IDC SSL CONNECTOR, THROUGH HOLE, PASS THRU |
| 0 PLC ± 1 PLC ±0.5 2 PLC ±0.13 3 PLC ± 4 PLC ± ANGLES ± FINISH ± | | APPLICATION SPEC 108-2404 114-13266 | | |
| MATERIAL | | WEIGHT | | SIZE CAGE CODE DRAWING NO A200779 C-2106751 |
| | | Customer Drawing | | RESTRICTED TO SCALE 6:1 SHEET 3 OF 3 REV A2 |