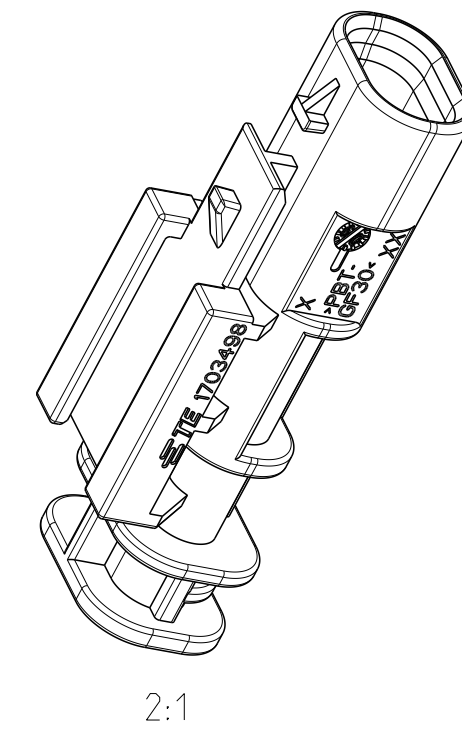
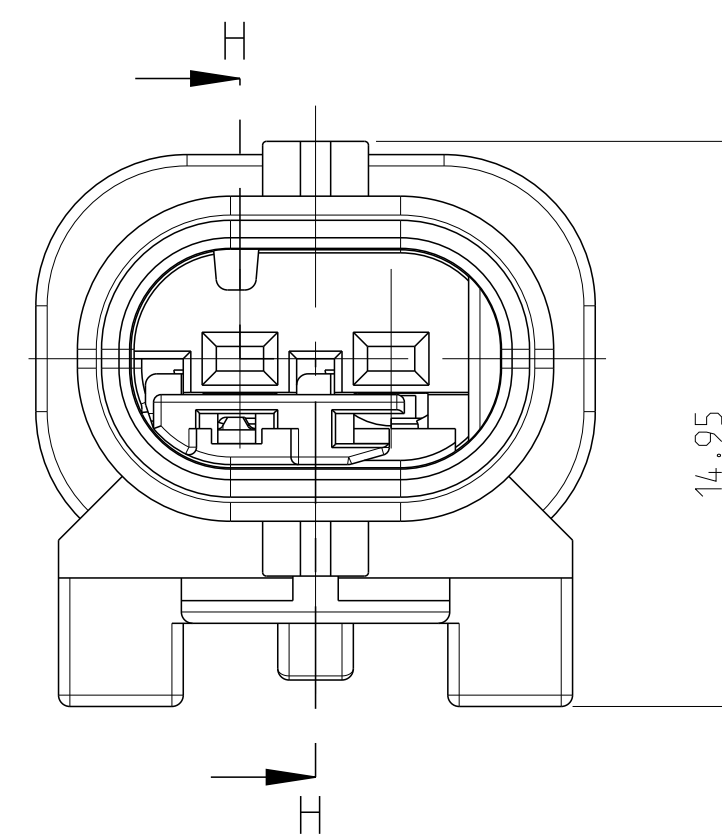
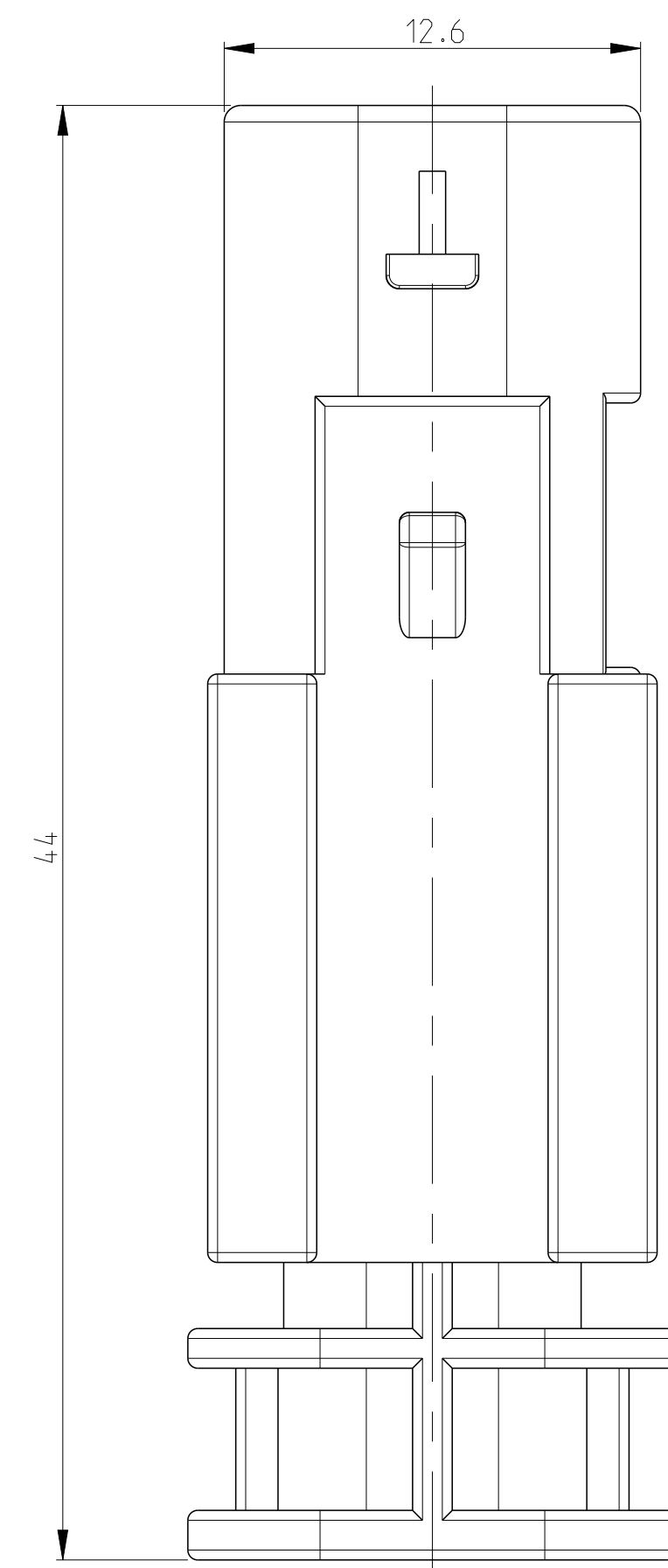
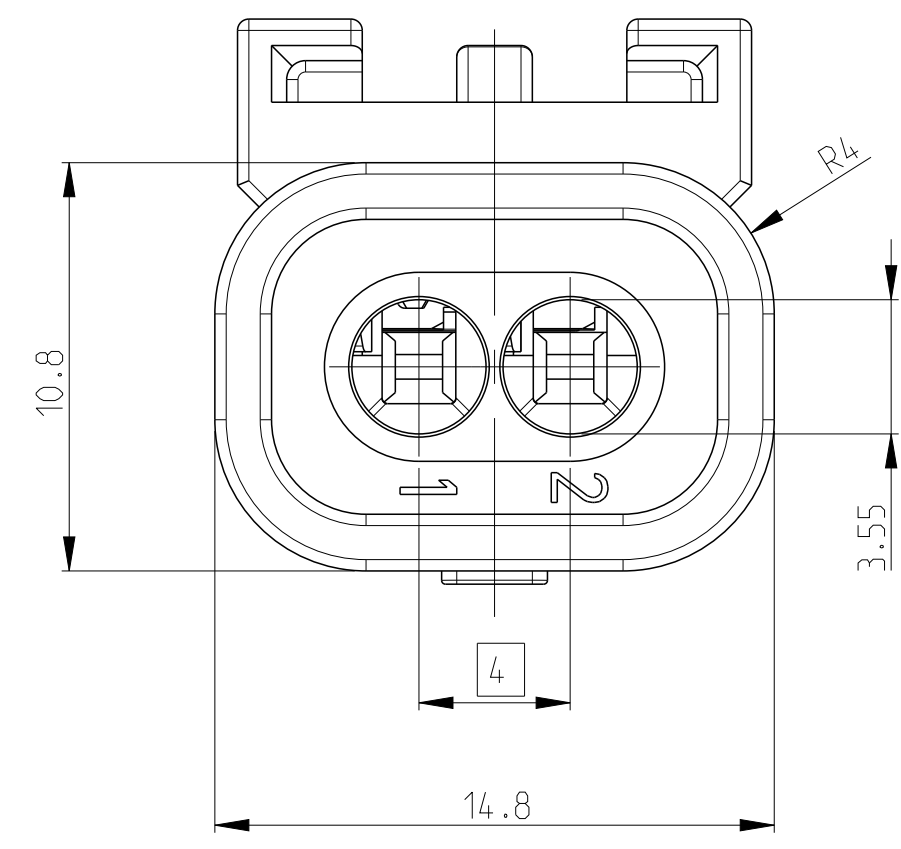
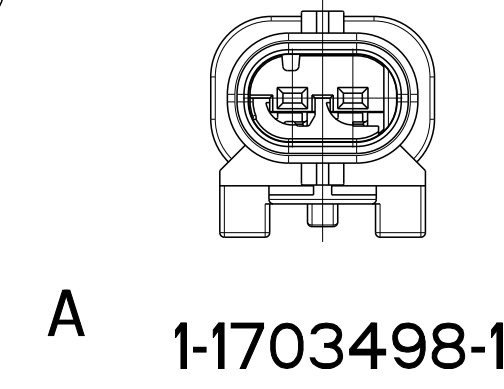


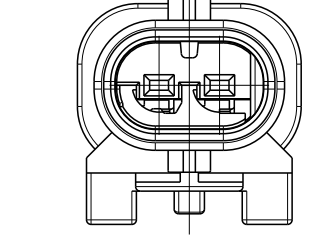
# SHOWN 1-1703498-1



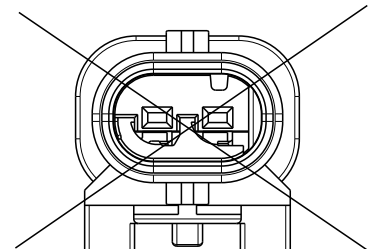
CODINGS  
2:1



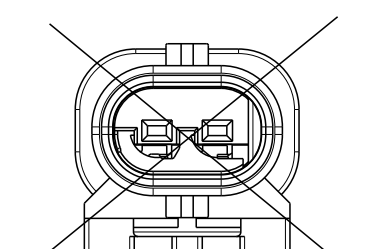
A  
1-1703498-1



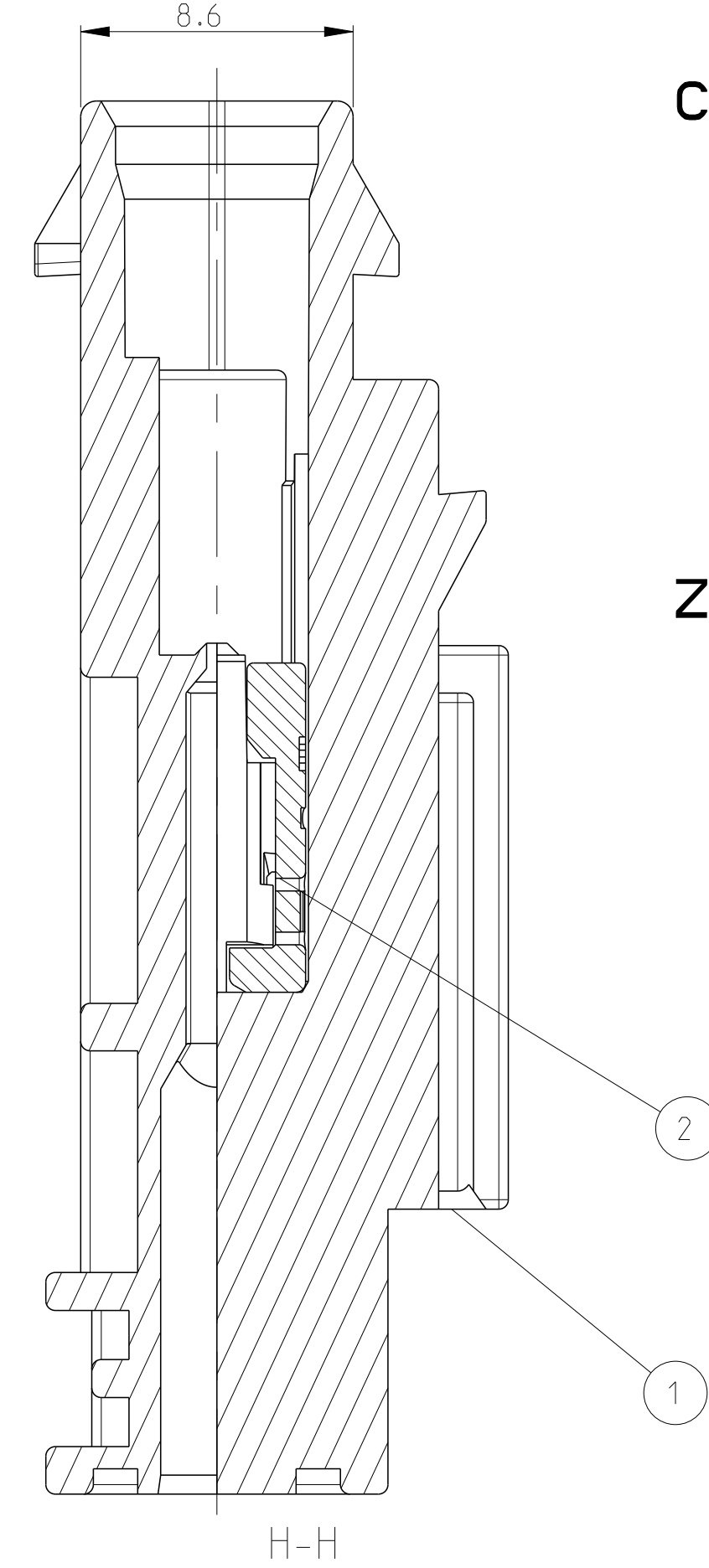
B  
2-1703498-1



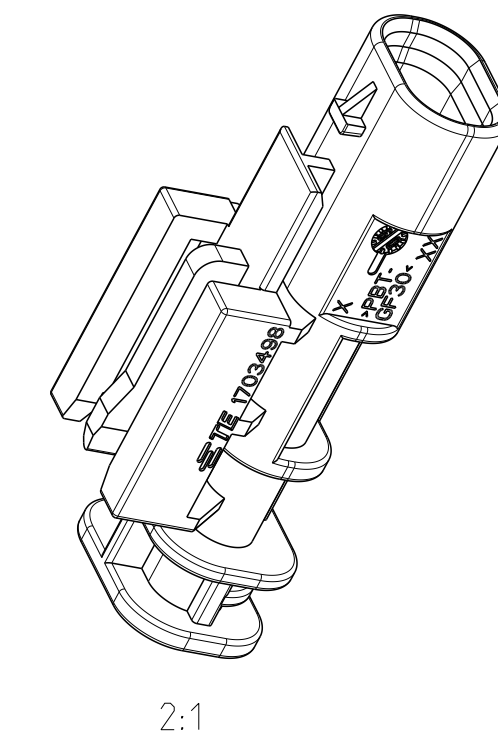
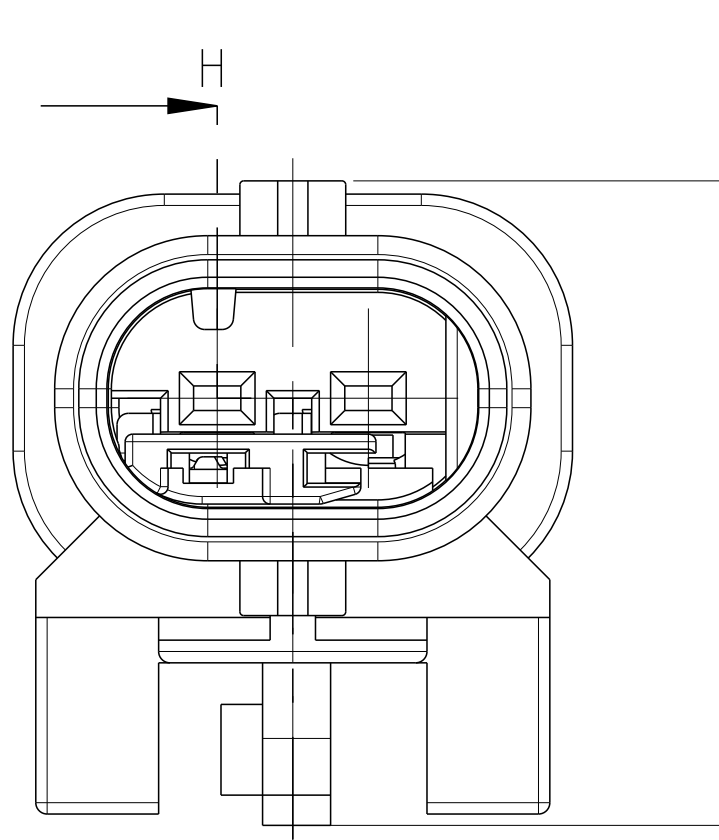
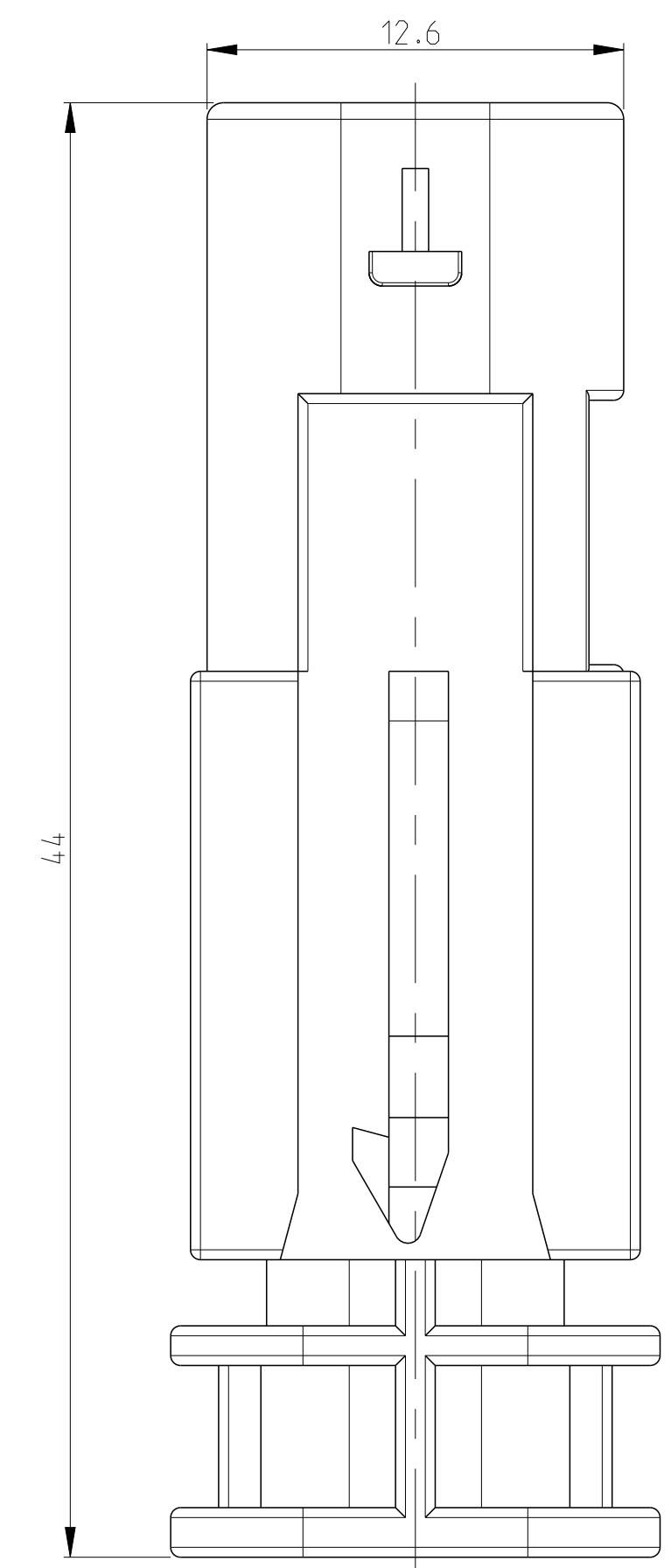
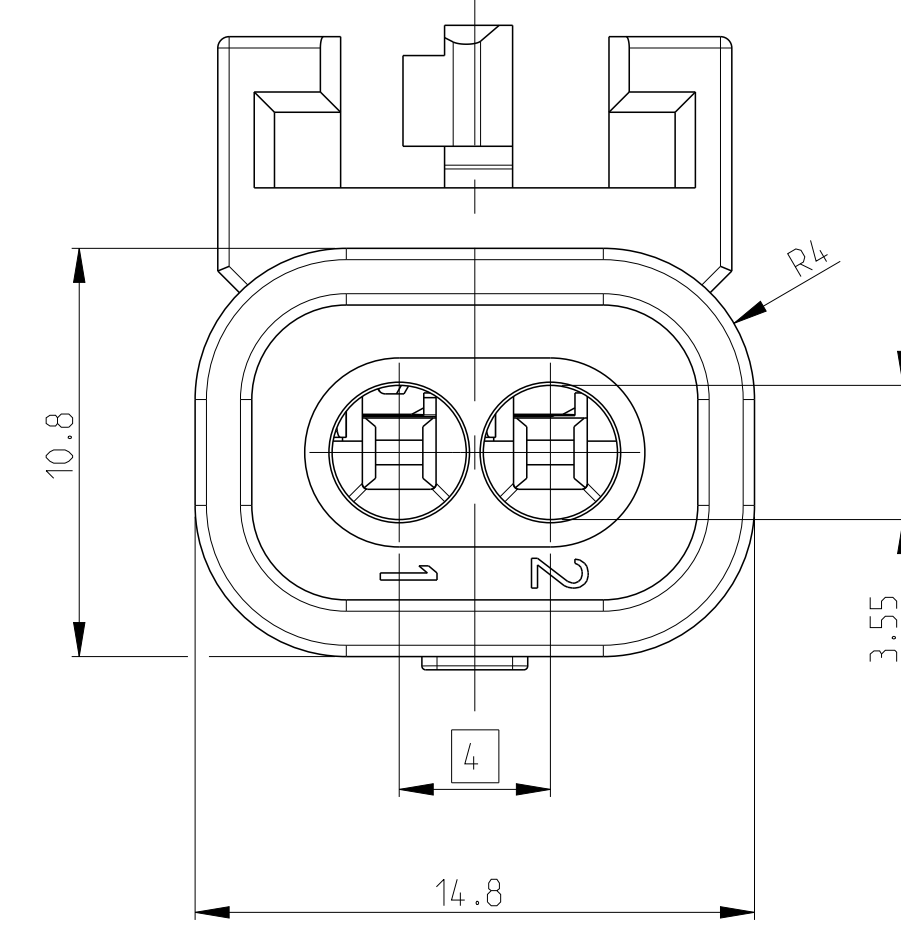
C  
3-1703498-1



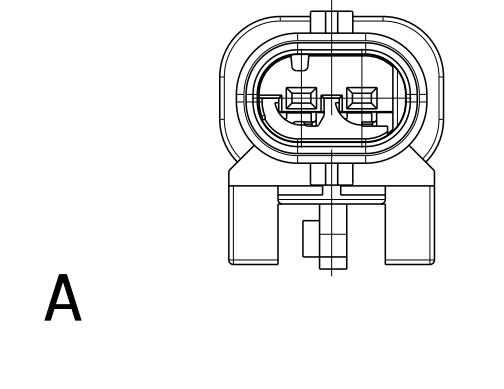
Z  
4-1703498-1



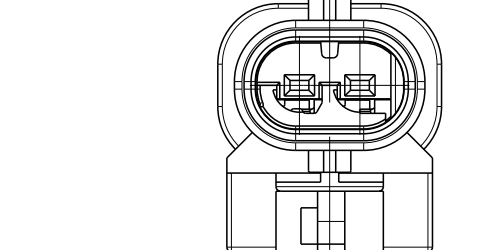
# SHOWN 1-1703498-2



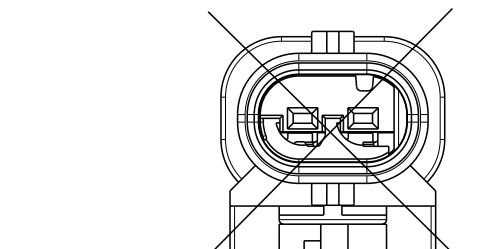
CODINGS  
2:1



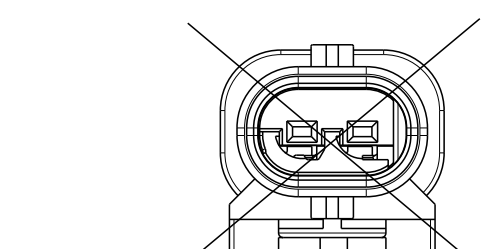
A  
1-1703498-2  
1-1703498-5



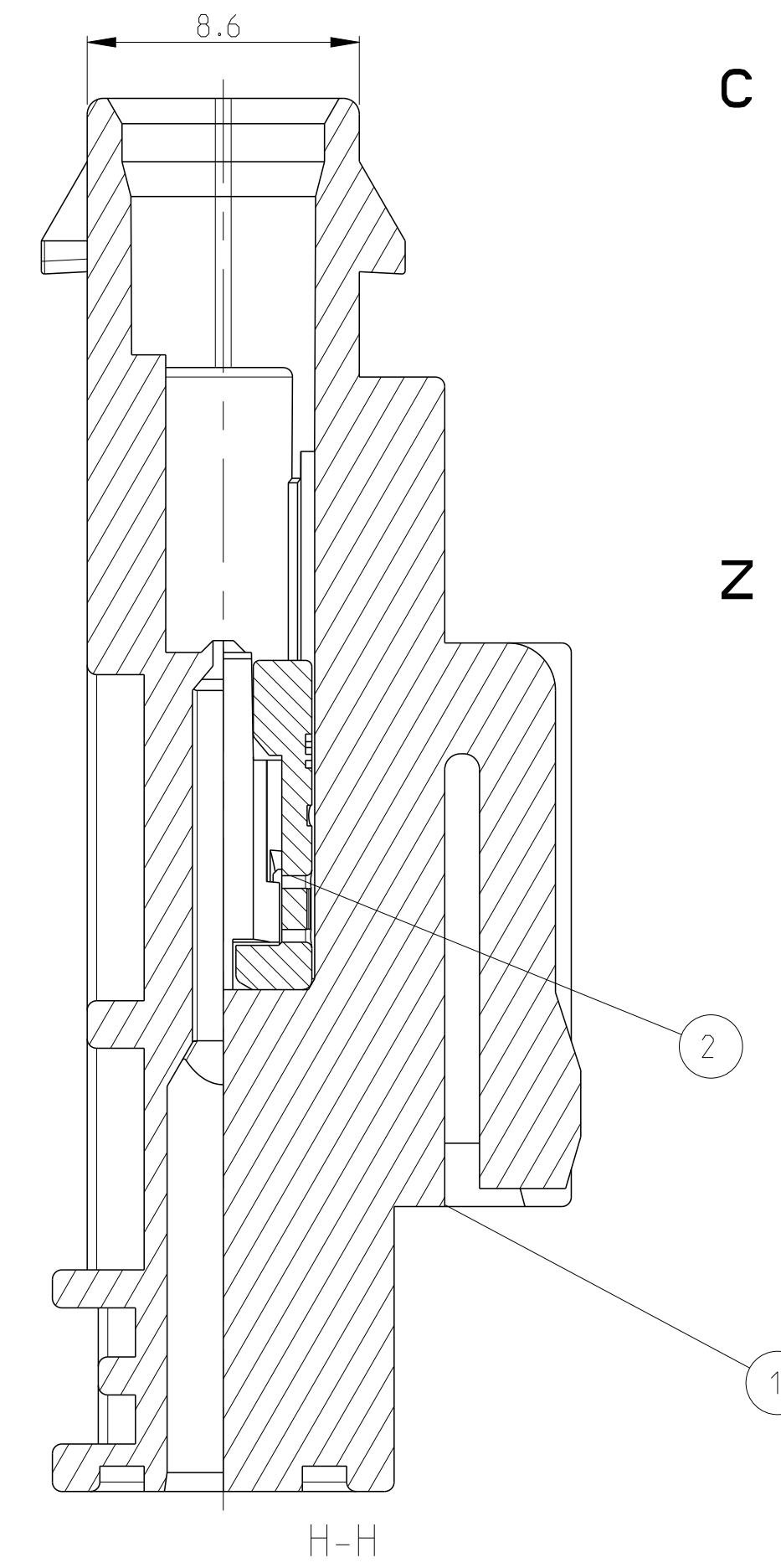
B  
2-1703498-2



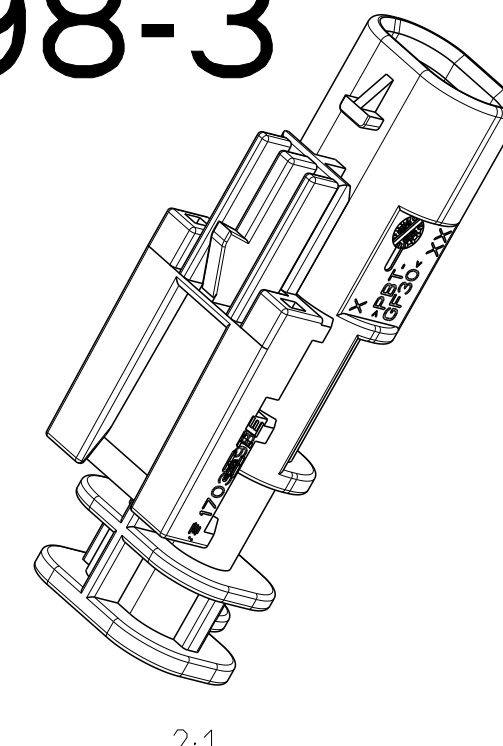
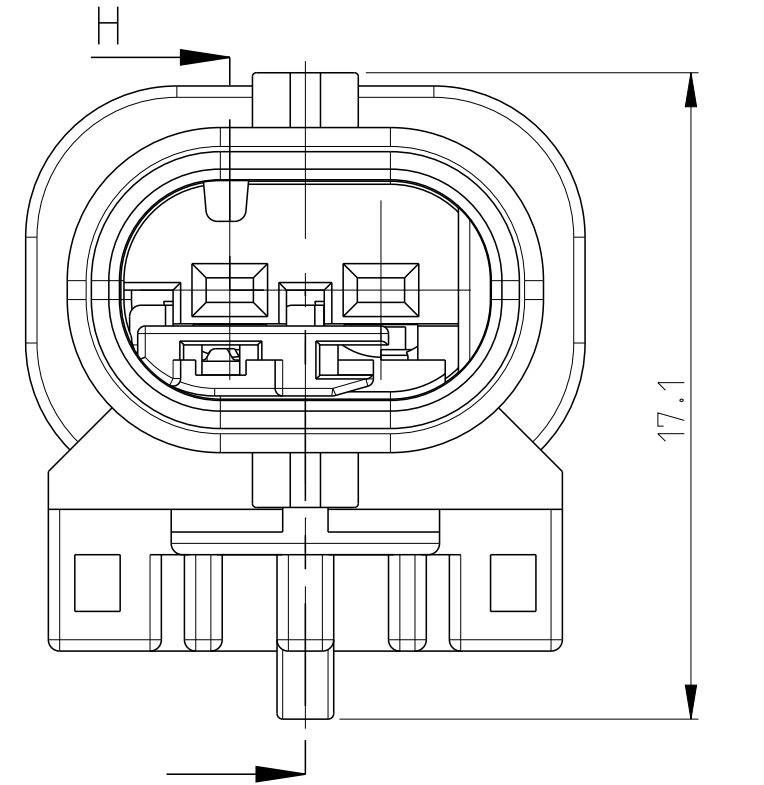
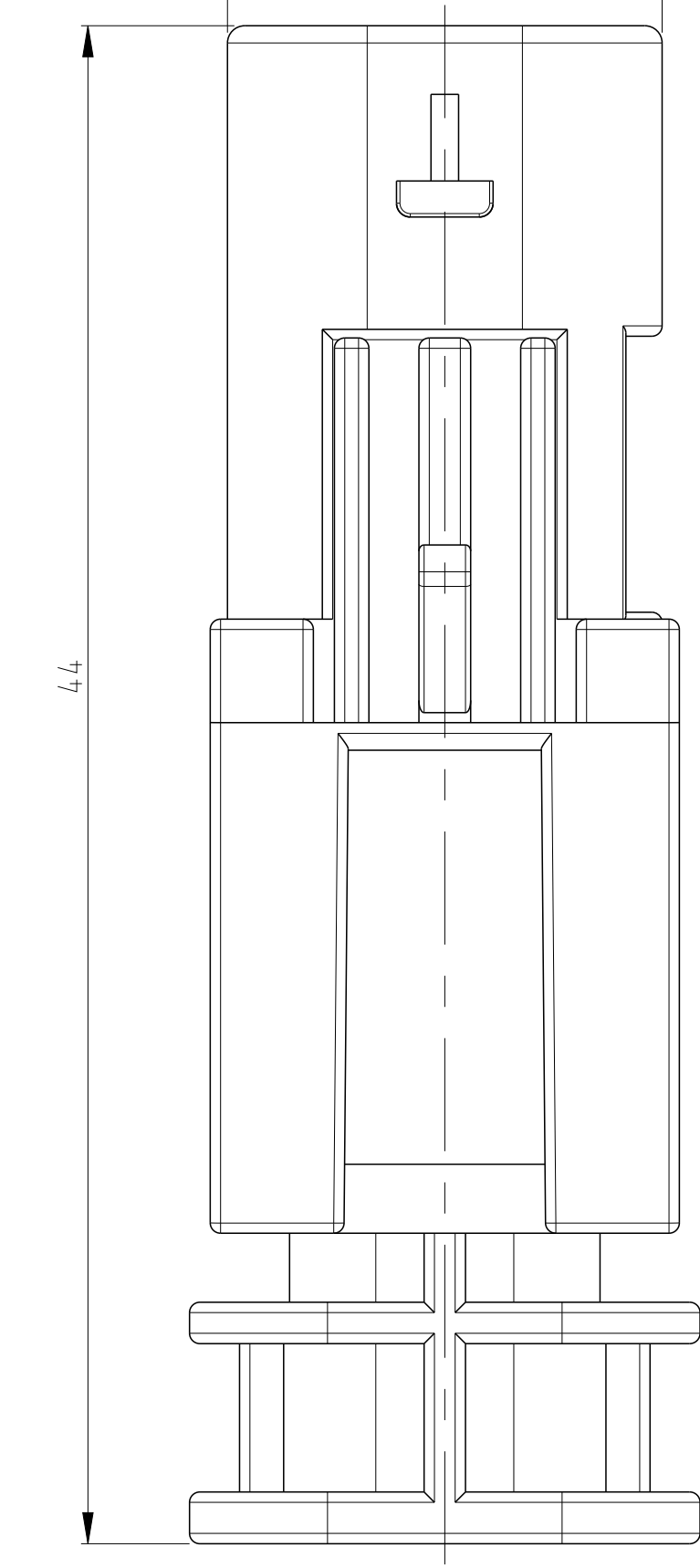
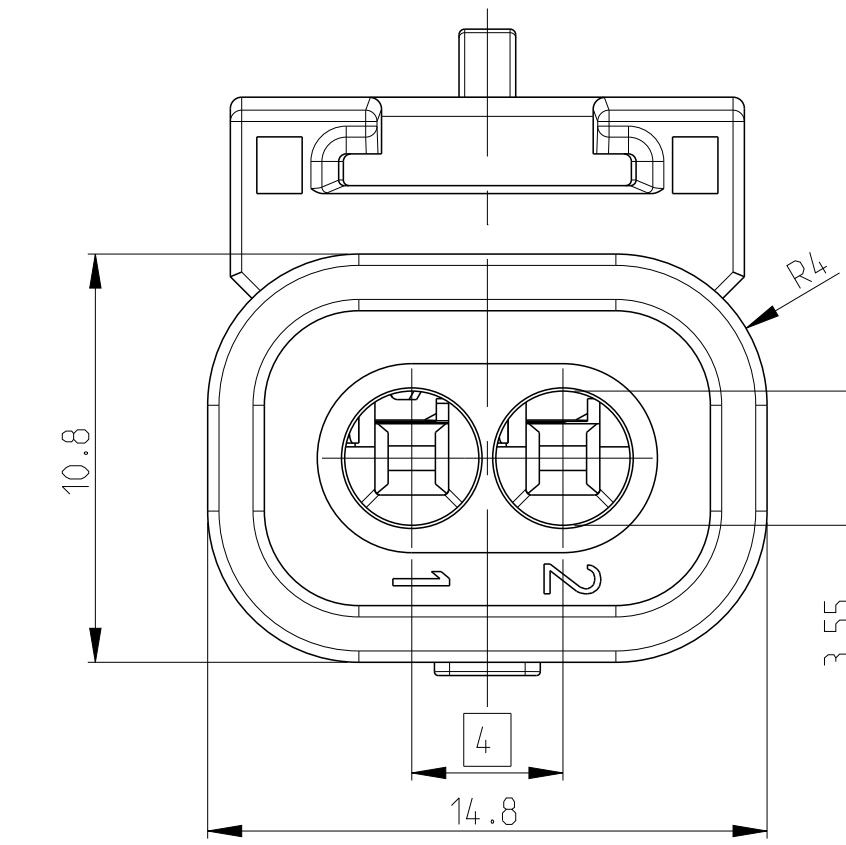
C  
3-1703498-2



Z  
4-1703498-2



# SHOWN 1-1703498-3



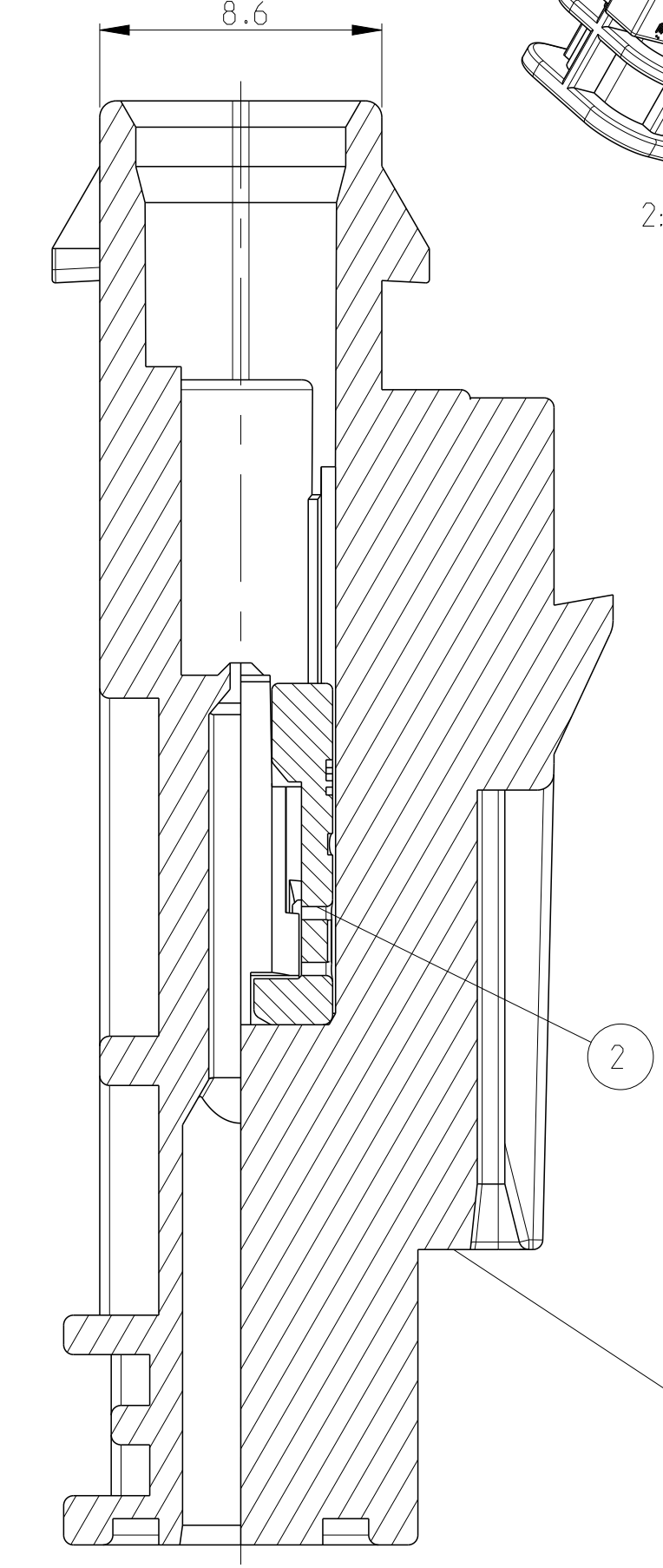
CODINGS  
2:1

A  
1-1703498-3  
(BLACK)  
1-1703498-4  
(YELLOW)

B  
2-1703498-3  
(BLACK)  
2-1703498-4  
(YELLOW)

C  
3-1703498-3

Z  
4-1703498-3



REV	DATE	BY	CHK	APPV
C2	09NOV2010	MT	HR	
C3	28APR11	SK	HMR	
C4	25SEP2013	MT	HR	

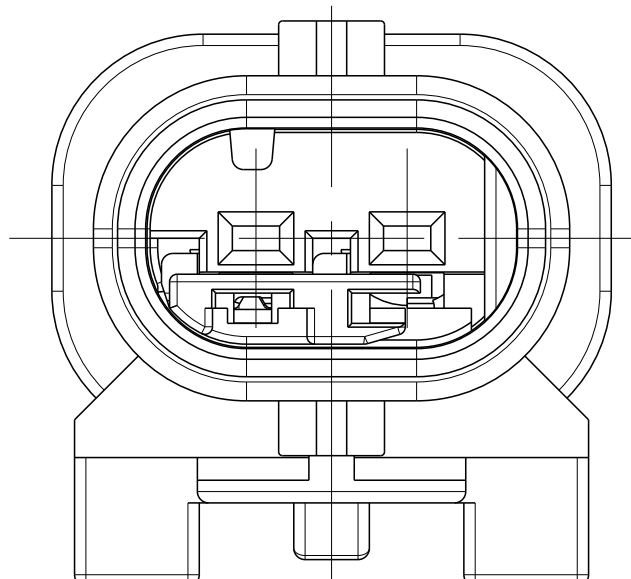
TE SUITABLE FEMALE HSG. PASSENDE BUCHSENGEH.	ASSY REV.	TE Bestell-Nr. ORDER-NO.	CODE	Benennung TITLE	QTY	Benennung Einzelteil TITLE	Werkstoff MATERIAL	Oberflaeche/Farbe SURFACE/CLOUR	Pos. ITEM
		2-1703498-4	B	Stiftgehaeuse 2pol. MALE HOUSING 2POS.	1	Kontaktsicherung RETAINER	PA66-GF35	violett/VIOLET	2
		1-1703498-4	A	Stiftgehaeuse 2pol. MALE HOUSING 2POS.	1	Stiftgehuese MALE HOUSING	PBT-GF30	gelb/YELLOW	1b
		1-1703498-4	A	Stiftgehaeuse 2pol. MALE HOUSING 2POS.	1	Kontaktsicherung RETAINER	PA66-GF35	violett/VIOLET	2
		4-1703498-3	Z	Stiftgehaeuse 2pol. MALE HOUSING 2POS.	1	Stiftgehuese MALE HOUSING	PBT-GF30	gelb/YELLOW	1a
		4-1703498-3	Z	Stiftgehaeuse 2pol. MALE HOUSING 2POS.	1	Kontaktsicherung RETAINER	PA66-GF35	violett/VIOLET	2
		3-1703498-3	C	Stiftgehaeuse 2pol. MALE HOUSING 2POS.	1	Kontaktsicherung RETAINER	PA66-GF35	violett/VIOLET	2
		2-1703498-3	B	Stiftgehaeuse 2pol. MALE HOUSING 2POS.	1	Stiftgehuese MALE HOUSING	PBT-GF30	schwarz/BLACK	1c
		2-1703498-3	B	Stiftgehaeuse 2pol. MALE HOUSING 2POS.	1	Kontaktsicherung RETAINER	PA66-GF35	violett/VIOLET	2
		1-1703498-3	A	Stiftgehaeuse 2pol. MALE HOUSING 2POS.	1	Kontaktsicherung RETAINER	PA66-GF35	grau/GREY	1b
		1-1703498-3	A	Stiftgehaeuse 2pol. MALE HOUSING 2POS.	1	Stiftgehuese MALE HOUSING	PBT-GF30	schwarz/BLACK	1a

TE SUITABLE FEMALE HSG. PASSENDE BUCHSENGEH.	ASSY REV.	TE Bestell-Nr. ORDER-NO.	CODE	Benennung TITLE	QTY	Benennung Einzelteil TITLE	Werkstoff MATERIAL	Oberflaeche/Farbe SURFACE/CLOUR	Pos. ITEM
		1-1703498-5	A	Stiftgehaeuse 2pol. MALE HOUSING 2POS.	1	Kontaktsicherung RETAINER	PA66-GF35	violett/VIOLET	2
		4-1703498-2	Z	Stiftgehaeuse 2pol. MALE HOUSING 2POS.	1	Stiftgehuese MALE HOUSING	PBT-GF30	schwarz/BLACK	1a
		4-1703498-2	Z	Stiftgehaeuse 2pol. MALE HOUSING 2POS.	1	Kontaktsicherung RETAINER	PA66-GF35	violett/VIOLET	2
		3-1703498-2	C	Stiftgehaeuse 2pol. MALE HOUSING 2POS.	1	Stiftgehuese MALE HOUSING	PBT-GF30	schwarz/BLACK	1c
		3-1703498-2	C	Stiftgehaeuse 2pol. MALE HOUSING 2POS.	1	Kontaktsicherung RETAINER	PA66-GF35	violett/VIOLET	2
		2-1703498-2	B	Stiftgehaeuse 2pol. MALE HOUSING 2POS.	1	Stiftgehuese MALE HOUSING	PBT-GF30	grau/GREY	1b
		2-1703498-2	B	Stiftgehaeuse 2pol. MALE HOUSING 2POS.	1	Kontaktsicherung RETAINER	PA66-GF35	violett/VIOLET	2
		1-1703498-2	A	Stiftgehaeuse 2pol. MALE HOUSING 2POS.	1	Kontaktsicherung RETAINER	PA66-GF35	grau/GREY	1b
		1-1703498-2	A	Stiftgehaeuse 2pol. MALE HOUSING 2POS.	1	Stiftgehuese MALE HOUSING	PBT-GF30	schwarz/BLACK	1a

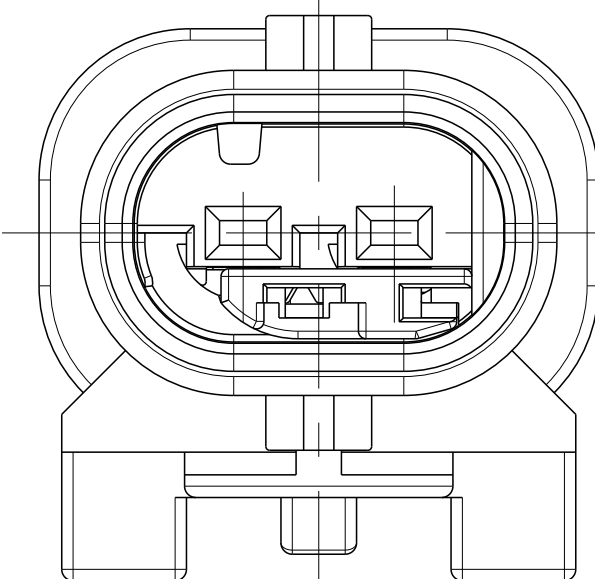
TE-PN TERMINALS	WIRE RANGE	TE-PN SINGLE WIRE SEAL	TE-PN BLIND PLUG
1718756	0.14 - 0.22mm <sup>2</sup>	967067-2	967056-1
1718758	0.25 - 0.35mm <sup>2</sup>	967067-2	
1718760	0.5 - 0.75mm <sup>2</sup>	967067-1	
1718762	1mm <sup>2</sup>	967067-1	

TERMINAL TE-APPLICATION SPEC.: 114-18464

RETAINER IN PRE LOCKED POSITION  
2. Kontaktsicherung in Vorraststellung



RETAINER IN FINAL LOCKED POSITION  
2. Kontaktsicherung in Endraststellung



RETAINER MOVING DIRECTION  
2. Kontaktsicherung Verschiebeweg

REGRIND MAX. 25%

DATE	BY	CHK	APPV
19JUN2007	LOECSER	RIIPER	

THIS DRAWING IS A CONTROLLED DOCUMENT.

DATE	19JUN2007	BY	LOECSER	CHK	RIIPER
REV	0	DESCRIPTION	MALE HOUSING, 2POS., MCON 1,2mm LL SEALED ASSY	SCALE	5:1
REV	1	DESCRIPTION	MALE HOUSING, 2POS., MCON 1,2mm LL SEALED ASSY	SCALE	5:1

REGRIND MAX. 25%