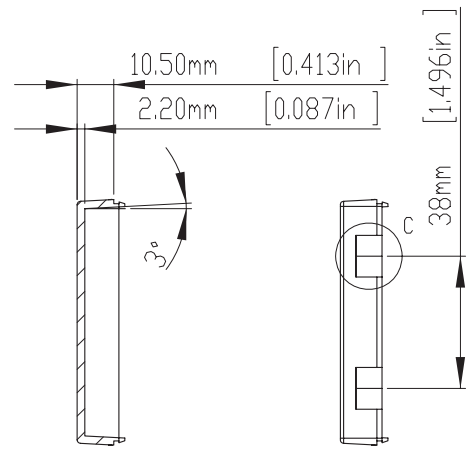
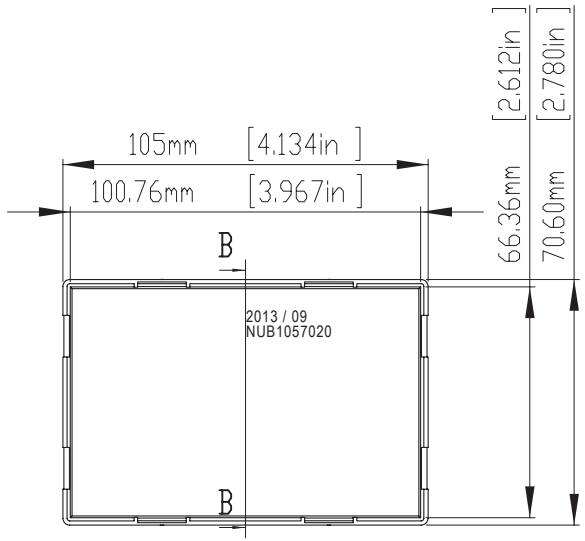
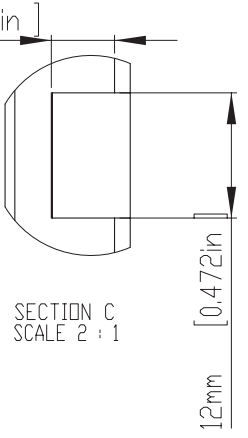


HOLE(S)4 ARE DESIGNED FOR M2.6X6mm SELF-TAPPING SCREWS USE.

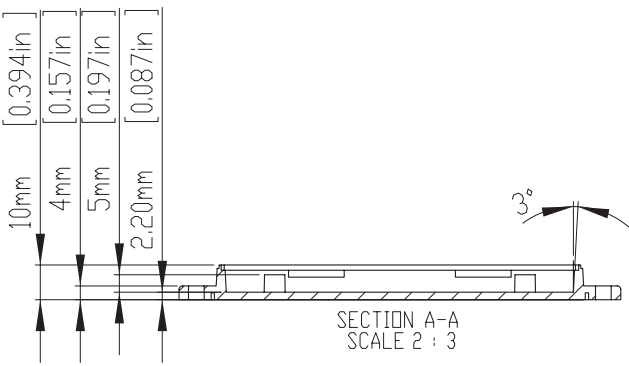
WALL MOUNTING HOLES(2) X DIA.4.5mm FOR PAN HEAD(M4) TAPPING SCREWS USE.



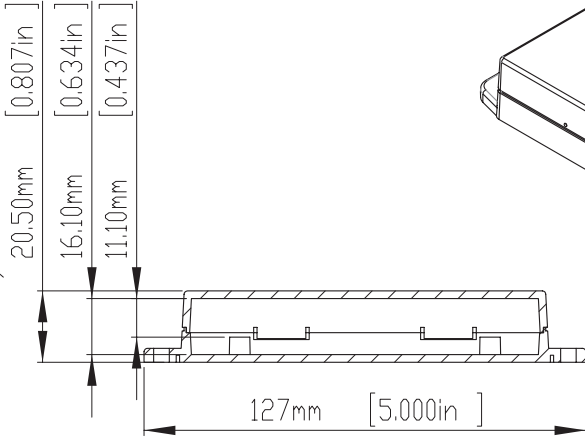
SECTION B-B  
SCALE 2 : 3



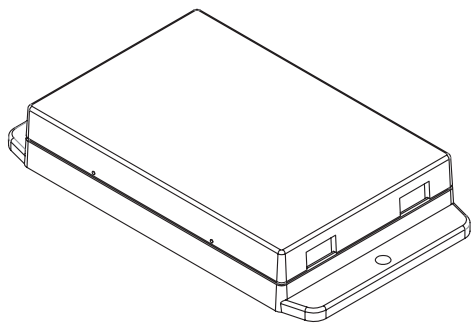
SECTION C  
SCALE 2 : 1



SECTION A-A  
SCALE 2 : 3



ASSEMBLY



According to ISO 2768-m	
Measuring DIM=L	Tolerances
0.5<L<=3.0mm	±0.1mm
3.0<L<=6.0 mm	±0.1mm
6.0<L<=30.0 mm	±0.2mm
30.0<L<=120.0 mm	±0.3mm
120.0<L<=400.0 mm	±0.5mm
400.0<L<=1000.0 mm	±0.8mm

宣又實業有限公司 GAINTA INDUSTRIES LTD.	繪圖	DRA'D BY	日期	DATE	材質	MATE.	圖名TITLE:	圖號DWG NO:	版次REVISID:
		JACKY		2013/10/01		ABS	NUB1057020		A

ITEM	DESCRIPTION	MATERIAL	COLOR	PANTONE COLOR CODE	CLOSE TO RAL CODE
1	NUB1057020BK	ABS<UL94-HB>	BLACK	PANTONE BLACK U	RAL 9005
2	NUB1057020WH	ABS<UL94-HB>	WHITE	PANTONE 420C	RAL 9002
3	NUB1057020OR	ABS<UL94-HB>	ORANGE	PANTONE 165C	RAL 2004
4	NUB1057020RD	ABS<UL94-HB>	RED	PANTONE 186C	RAL 3027

宣又實業有限公司  
GAINTA INDUSTRIES LTD.

繪圖 DRA'D BY  
JACKY

日期 DATE  
2013/10/01

材質 MATE.  
ABS

圖名TITLE:  
NUB1057020

圖號DWG NO:

版次REVISID:

A