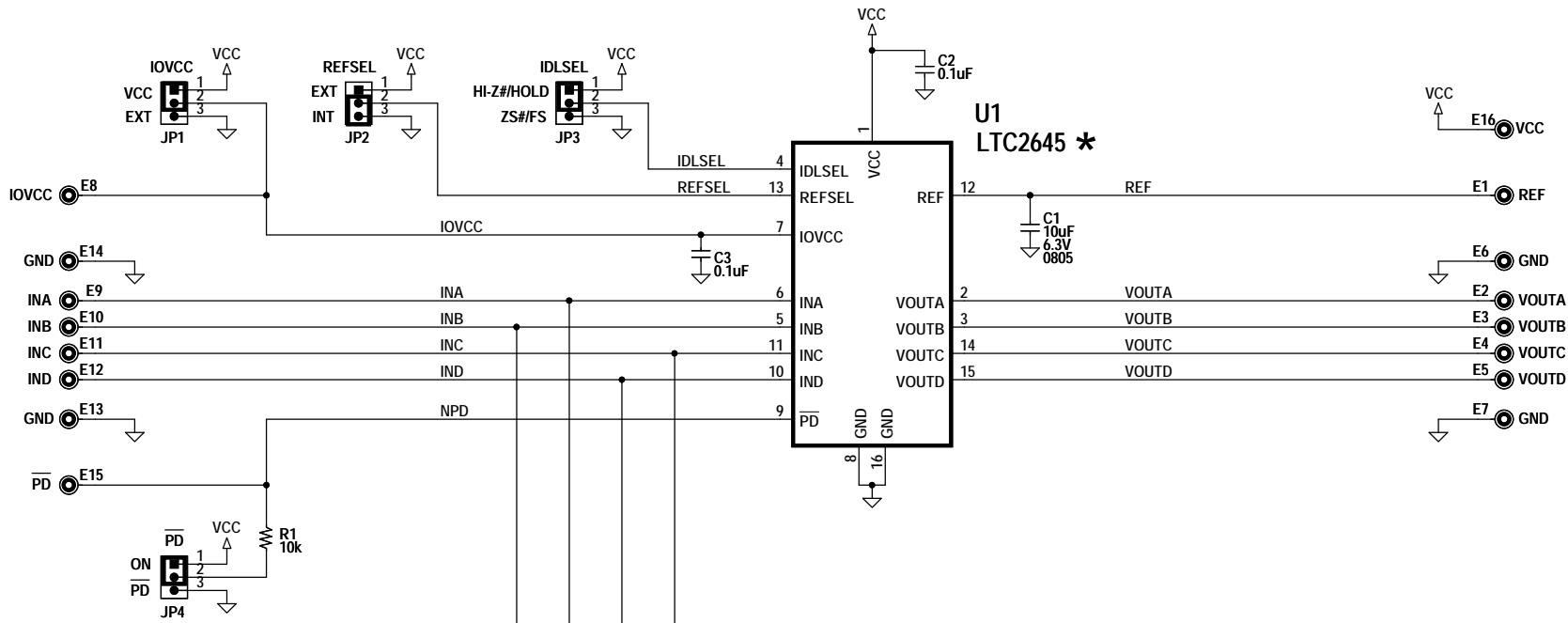
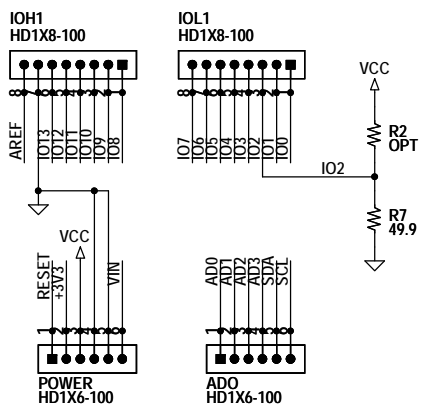


REVISION HISTORY				
ECO	REV	DESCRIPTION	APPROVED	DATE
-	1	1ST PROTOTYPE	MARK T.	02-07-14



LINDUINO HEADERS



TEST PADS ALLOW REMAPPING LINDUINO CONNECTIONS

DACS A AND B CONNECTED TO 16-BIT CAPABLE PWM LINDUINO OUTPUTS

DACS C AND D CONNECTED TO 8-BIT CAPABLE PWM LINDUINO OUTPUTS

NOTE: UNLESS OTHERWISE SPECIFIED
1. ALL RESISTORS AND CAPACITORS ARE 0603.

ASSY TYPE	U1	SUFFIX	-BIT
A	LTC2645-L12	12	12

CUSTOMER NOTICE
LINEAR TECHNOLOGY HAS MADE A BEST EFFORT TO DESIGN A CIRCUIT THAT MEETS CUSTOMER-SUPPLIED SPECIFICATIONS; HOWEVER, IT REMAINS THE CUSTOMER'S RESPONSIBILITY TO VERIFY PROPER AND RELIABLE OPERATION IN THE ACTUAL APPLICATION. COMPONENT SUBSTITUTION AND PRINTED CIRCUIT BOARD LAYOUT MAY SIGNIFICANTLY AFFECT CIRCUIT PERFORMANCE OR RELIABILITY. CONTACT LINEAR TECHNOLOGY APPLICATIONS ENGINEERING FOR ASSISTANCE.

APPROVALS	
PCB DES.	KIM T.
APP ENG.	MARK T.

LINEAR TECHNOLOGY
1630 McCarthy Blvd.
Milpitas, CA 95035
Phone: (408)432-1900 www.linear.com
Fax: (408)434-0507
LTC Confidential-For Customer Use Only

TITLE: SCHEMATIC

QUAD 12/10/8-BIT PWM TO VOUT DACS

SIZE N/A IC NO. LTC2645CMS FAMILY
DEMO CIRCUIT 2197A

REV. 1