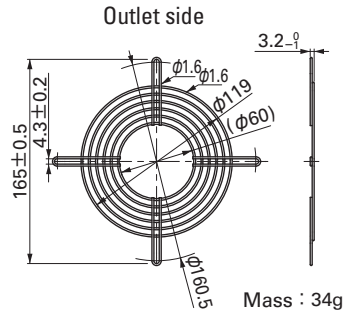
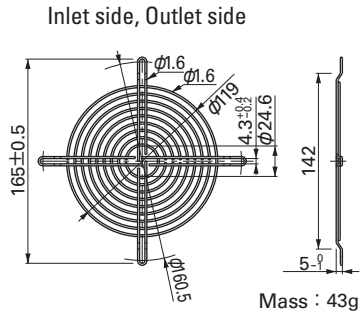


Options (unit : mm)

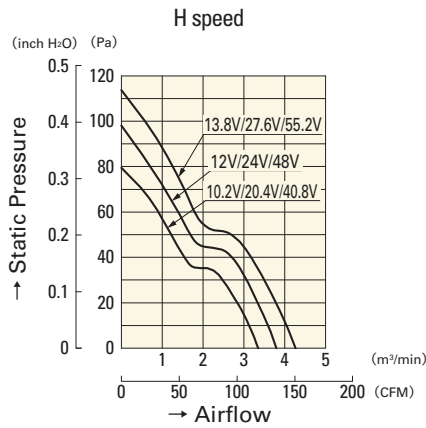
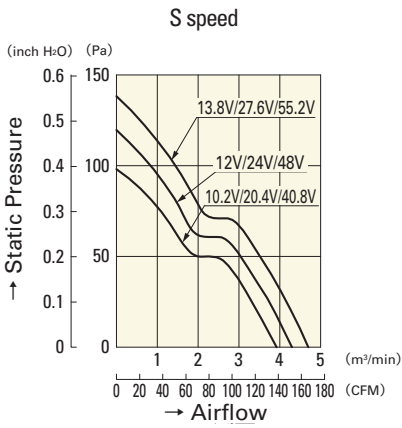
Finger Guards

Model : 109-722 Surface treatment : Nickel-chrome plating (silver) Color

Model : 109-723 Surface treatment : Nickel-chrome plating (silver) Color



Airflow - Static Pressure Characteristics



109P1312S101

109P1324S101

109P1348S101

109P1312H101

109P1324H101

109P1348H101