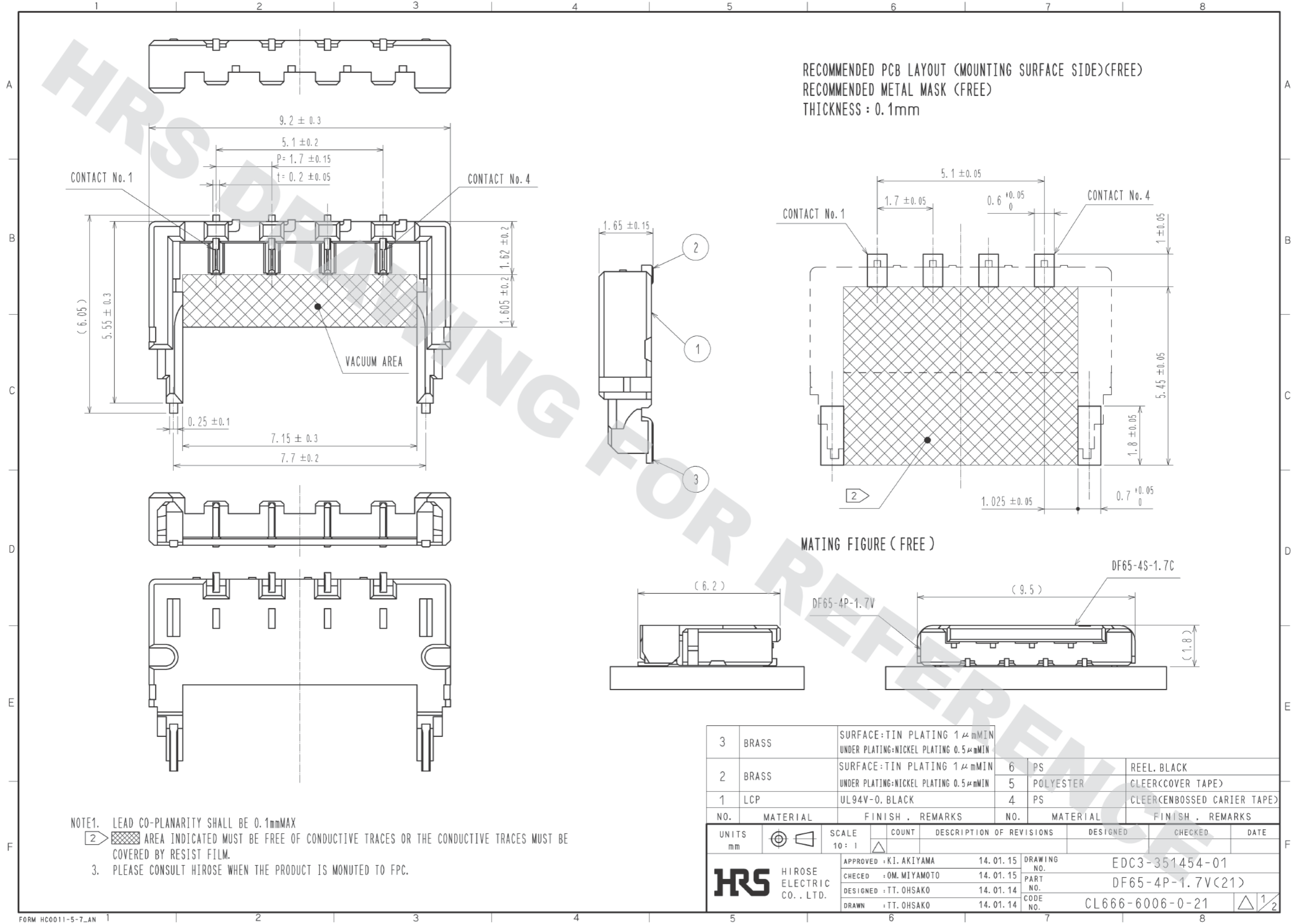


DRAWING FOR REFERENCE: This is subject to change without notice
05/31/2014

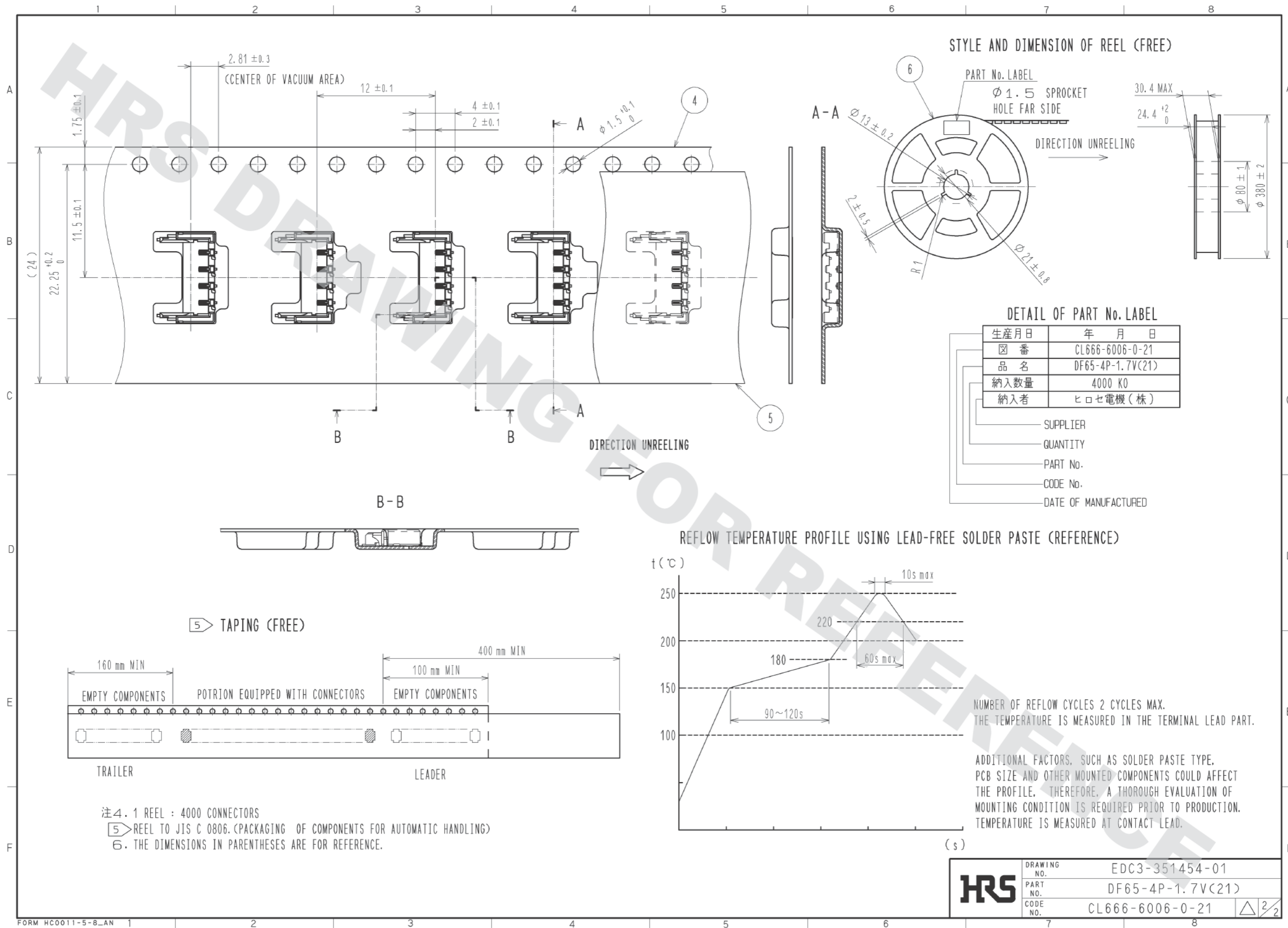


NO.	MATERIAL	FINISH .	REMARKS	NO.	MATERIAL	FINISH .	REMARKS
3	BRASS	SURFACE:TIN PLATING 1μmMIN UNDER PLATING:NICKEL PLATING 0.5μmMIN		6	PS		REEL. BLACK
2	BRASS	SURFACE:TIN PLATING 1μmMIN UNDER PLATING:NICKEL PLATING 0.5μmMIN		5	POLYESTER		CLEER(COVER TAPE)
1	LCP	UL94V-0. BLACK		4	PS		CLEER(ENBOSSED CARRIER TAPE)

UNITS	SCALE	COUNT	DESCRIPTION OF REVISIONS	DESIGNED	CHECKED	DATE
mm	10:1	△	APPROVED : KI. AKIYAMA 14.01.15 CHECED : OM. MIYAMOTO 14.01.15 DESIGNED : TT. OHSAKO 14.01.14 DRAWN : TT. OHSAKO 14.01.14			

DRAWING NO.	PART NO.	CODE NO.
EDC3-351454-01	DF65-4P-1.7V(21)	CL666-6006-0-21

DRAWING FOR REFERENCE: This is subject to change without notice
05/31/2014



HRS	DRAWING NO.	EDC3-351454-01
	PART NO.	DF65-4P-1.7V(21)
	CODE NO.	CL666-6006-0-21
		△ 2/2