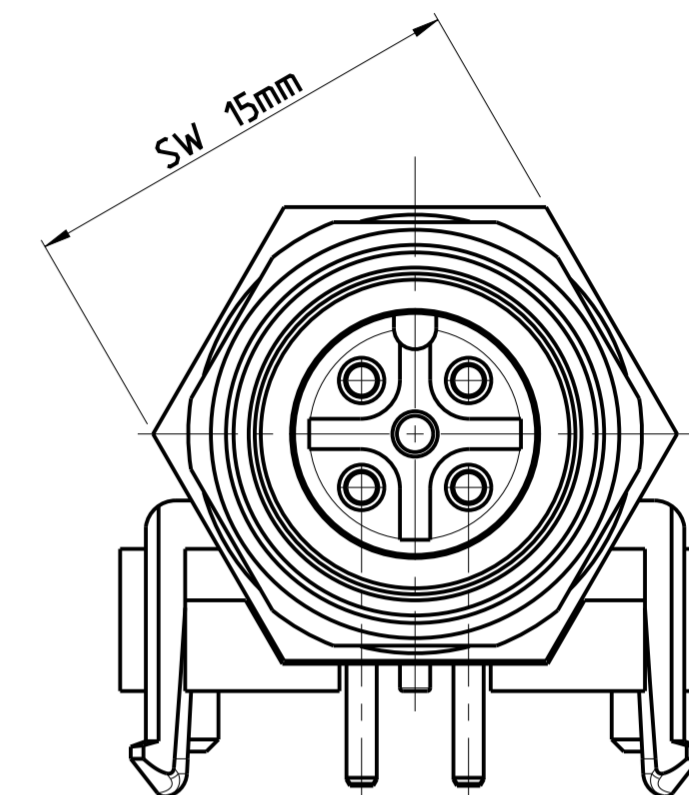
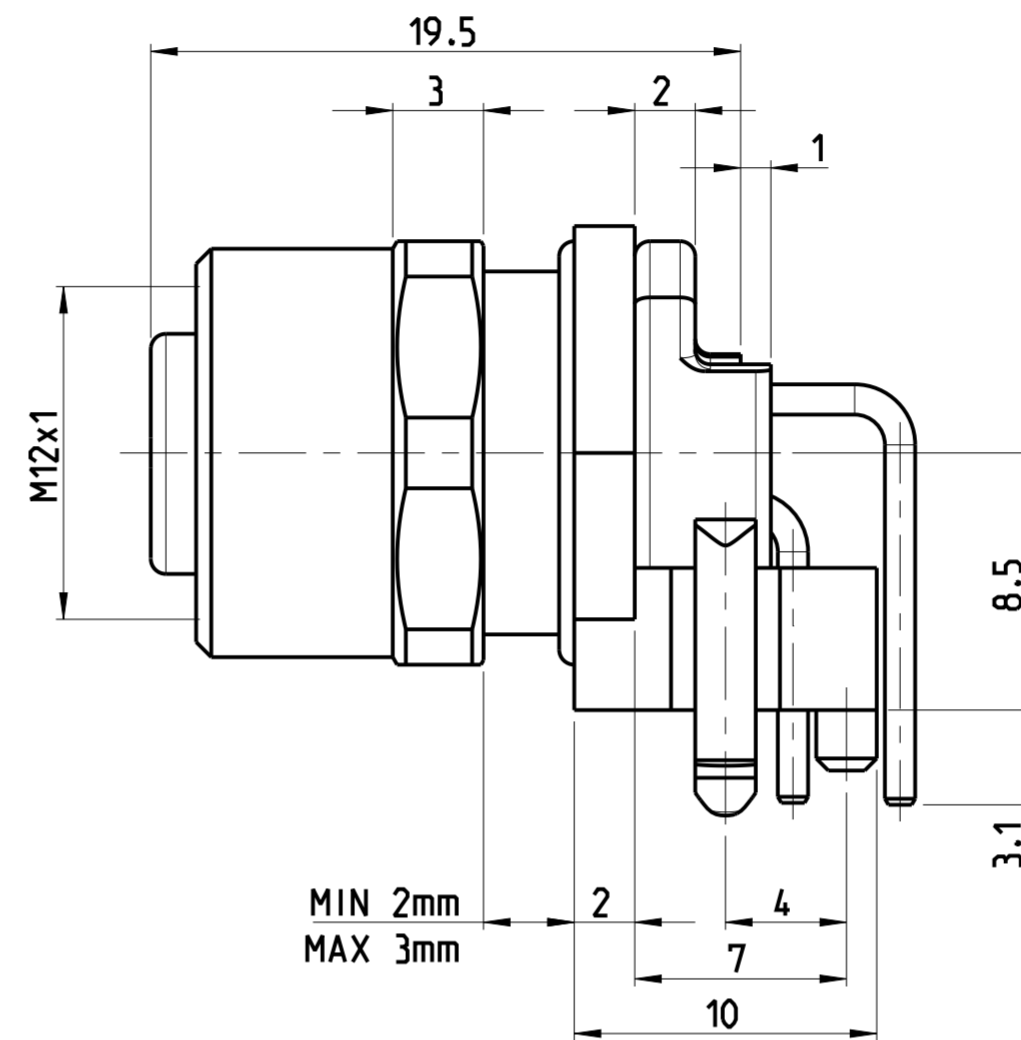
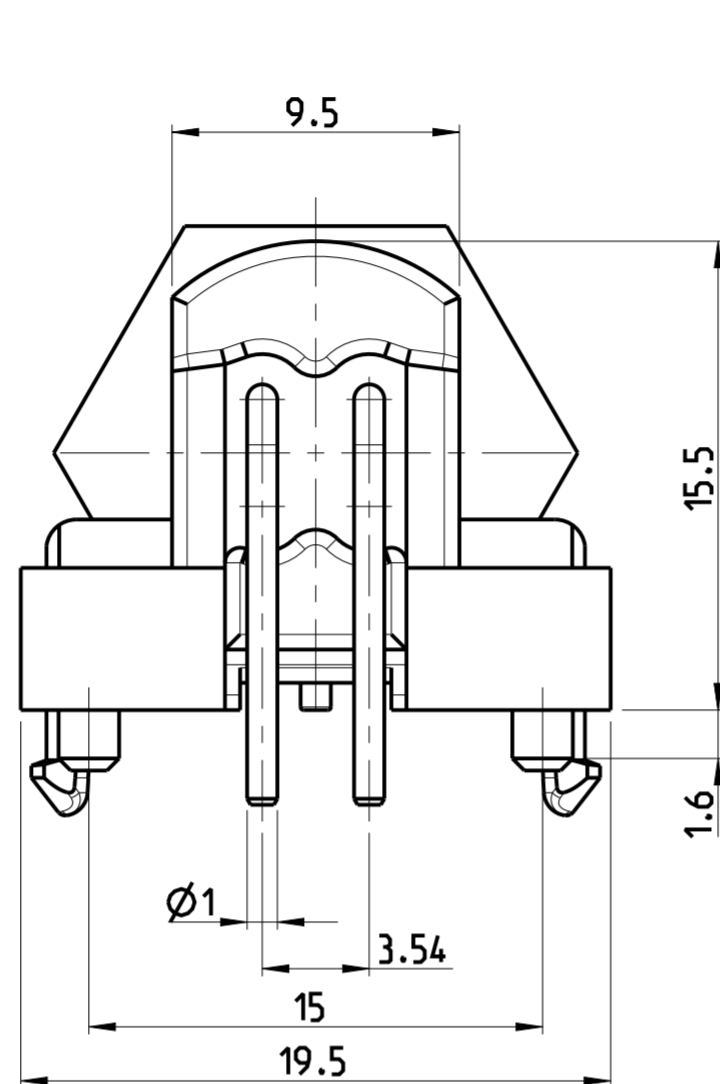


REVISIONS		DATE	DWN	APVD
ÄNDERUNGEN				
P	LTR	DESCRIPTION		
BESCHREIBUNG				
A		NEW RELEASE	27NOV2014	CR JK

⚠ MATERIAL: ITEM NO. 1: HOUSING - CuZn (BRASS, NICKEL PLATED)
 ITEM NO. 2: CONTACT BODY - PA
 ITEM NO. 3: CONTACT - CuZn (BRASS)
 CONTACT FINISH - Au (GOLD)

2 ALL DIMENSIONS ARE FOR NOMINAL REFERENCE ONLY UNLESS OTHERWISE STATED

TECHNICAL DATA	3-2172079-2	4-2172079-2	5-2172079-2
RATED VOLTAGE	250V	125V	60V
RATED IMPULSE VOLTAGE	2500V	1500V	800V
POLLUTION DEGREE	3	3	3
OVERVOLTAGE CATEGORY	II	II	II
MATERIAL GROUP	III	III	III
RATED CURRENT	4A	4A	2A
VOLUME RESISTIVITY	≤ 3mΩ	≤ 3mΩ	≤ 3mΩ
DEGREE OF PROTECTION	IP68	IP68	IP68
UPPER TEMPERATURE	+85 °C	+85 °C	+85 °C
LOWER TEMPERATURE	-40 °C	+40 °C	+40 °C

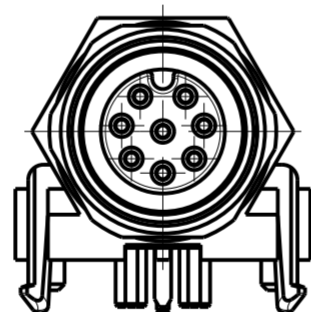
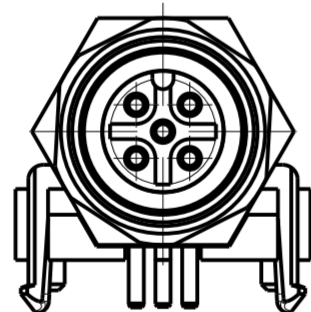
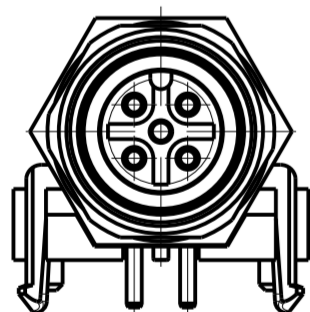


PIN ARRANGEMENT
A-CODING (SCALE 2:1)

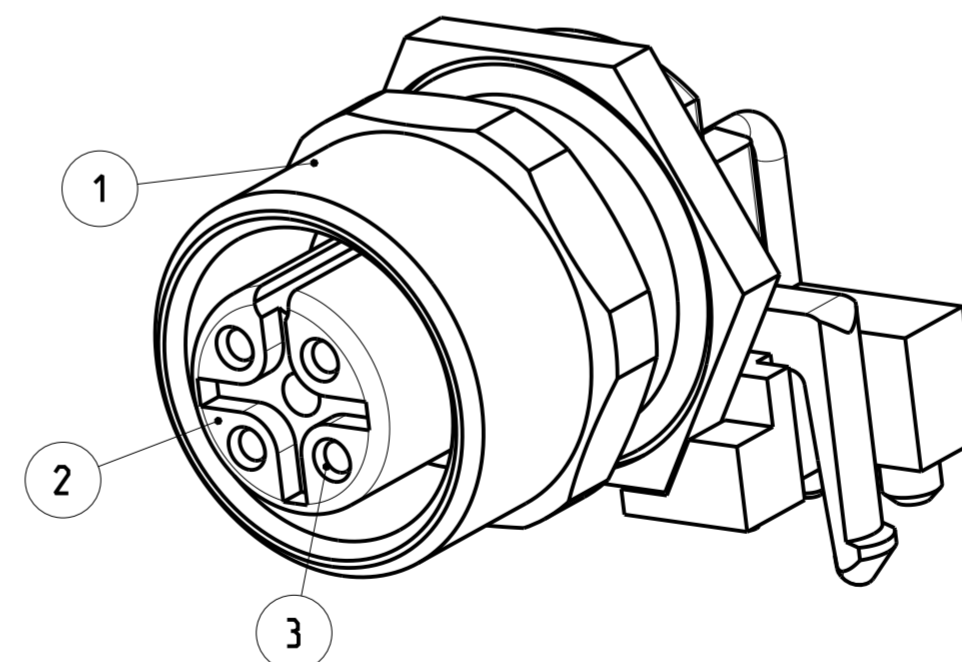
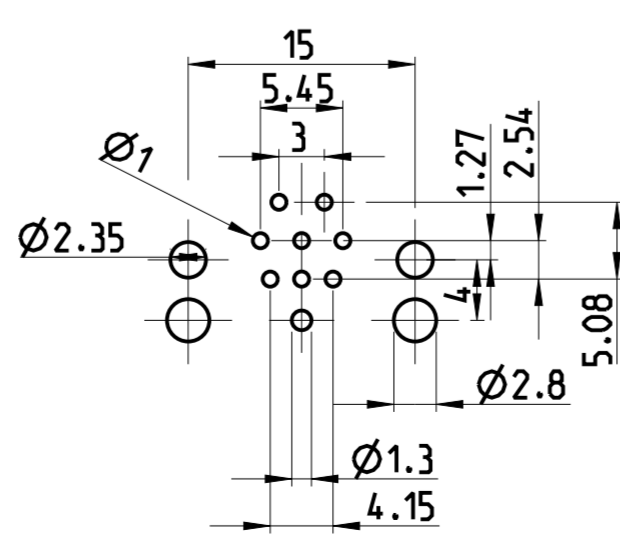
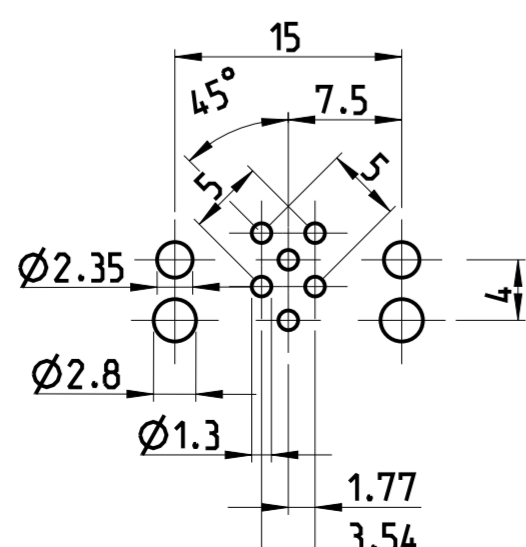
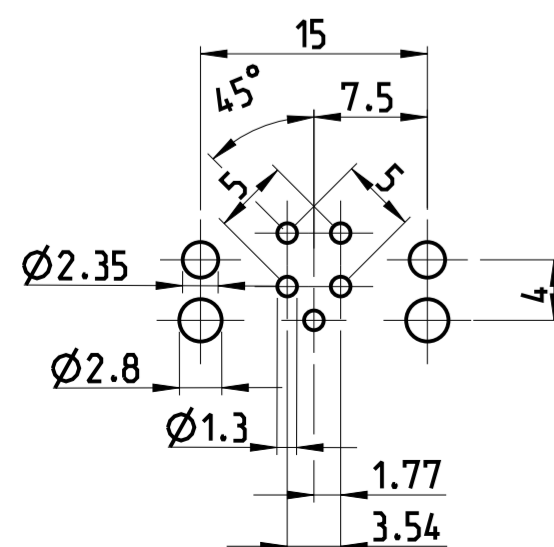
3-2172079-2

4-2172079-2

5-2172079-2



CONDUCTOR LAYOUT



SIZE ISO 14405 (E)

⚠	8	5-2172079-2
⚠	5	4-2172079-2
⚠	4	3-2172079-2
MATERIAL	NUMBER OF POLES	TE-PART-NO.

DIESE ZEICHNUNG IST EIN KONTROLLIERTES DOKUMENT. BEMASSUNGEN UND TOLERANZEN GEMAESS GPS (ISO STANDARDS).	
THIS DRAWING IS A CONTROLLED DOCUMENT. DIMENSIONING AND TOLERANCING PER GPS (ISO STANDARDS).	
DIMENSIONS: MASSSTÄBE: IT/III	TOLERANCES UNLESS OTHERWISE SPECIFIED: ALLGEMEINTOLERANZEN
0 PLC ±	1 PLC ±
2 PLC ±	3 PLC ±
4 PLC ±	ANGLES/WINKEL ±
MATERIAL	FINISH/OBERFLÄCHE/FARBE
-	-
-	-

DWN	09AUG2014
CHK	09AUG2014
APVD	09AUG2014
NAME	M. BRUBAKER
PRODUCT SPEC	108-19483
APPLICATION SPEC	114-32127
WEIGHT	-
Customer Drawing	

		TE Connectivity	
M12 RECEPTACLE, PCB ASSEMBLY, ANGLED, SHIELDED CONNECTOR, A-CODED			
SIZE	CAGE CODE	DRAWING NO.	RESTRICTED TO
A2	00779	C-2172079	MUR FÜR
SCALE	SHEET	OF	REV
2:1	BLATT	1	A