

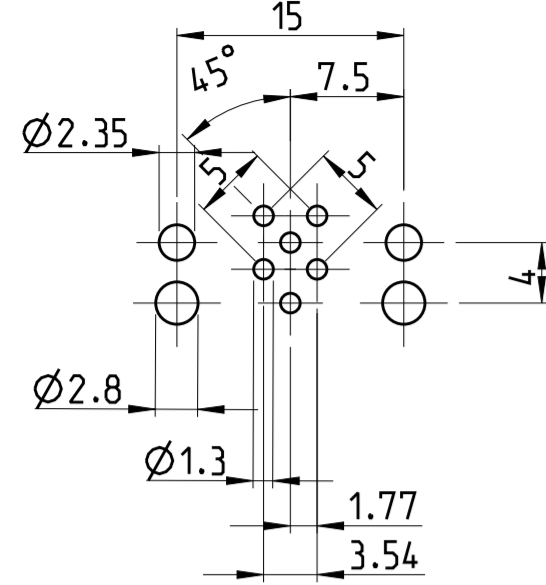
THIS DRAWING IS UNPUBLISHED. VERTRÄULICHE UNVERÖFFENTLICHTE ZEICHNUNG. RELEASED FOR PUBLICATION FREI FÜR VERÖFFENTLICHUNG. 2014. MATED WITH: PASSEND ZU: -

© COPYRIGHT 2014 Tyco Electronics AMP GmbH. ALL RIGHTS RESERVED. ALLE RECHTE VORBEHALTEN.

PROJEKT NR.: PRJ-11-000004377

REVISIONS		DATE	DWN	APVD
ÄNDERUNGEN				
DESCRIPTION				
BESCHREIBUNG				
P	LTR			
	A	04DEC2014	TJ	PS

CONDUCTOR LAYOUT



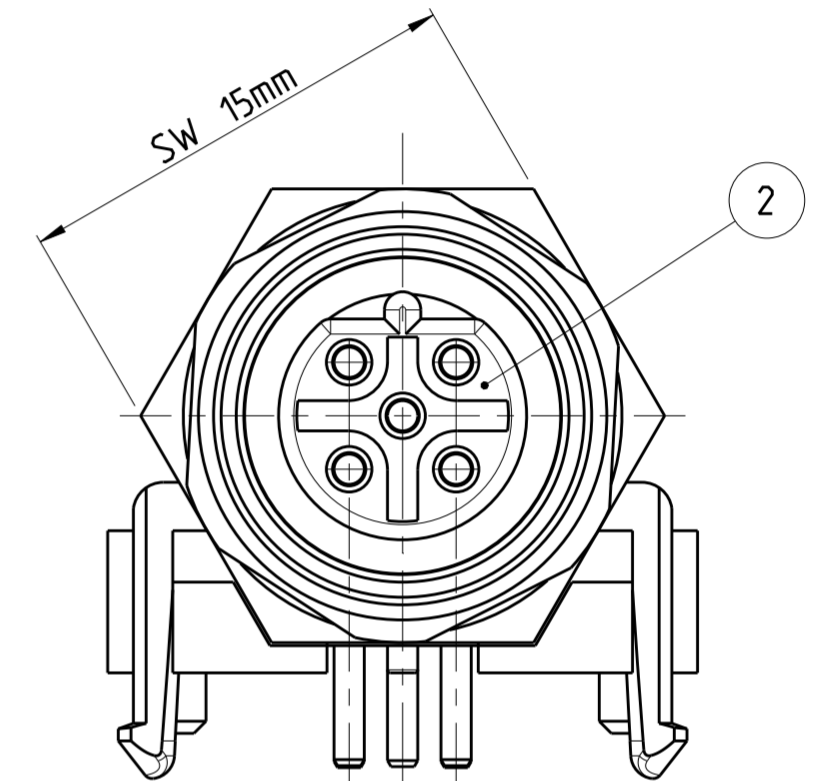
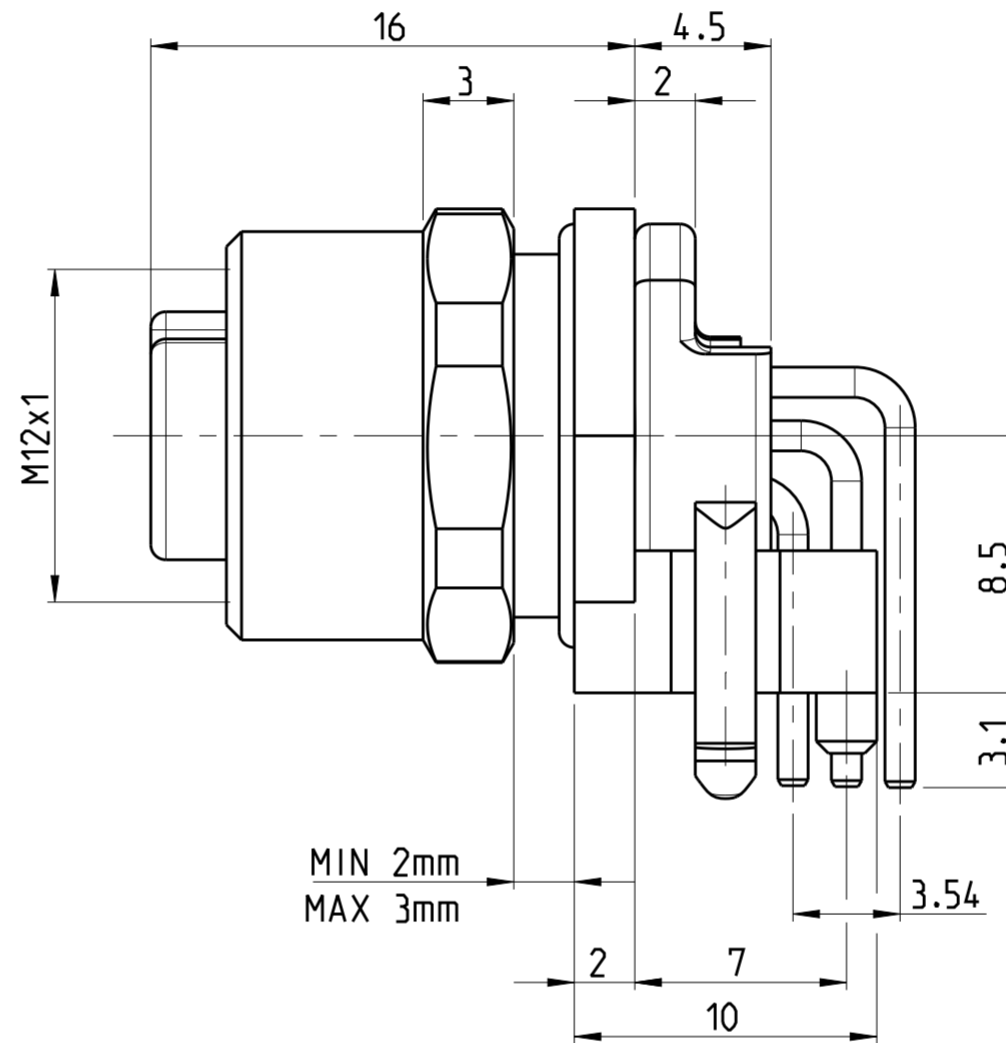
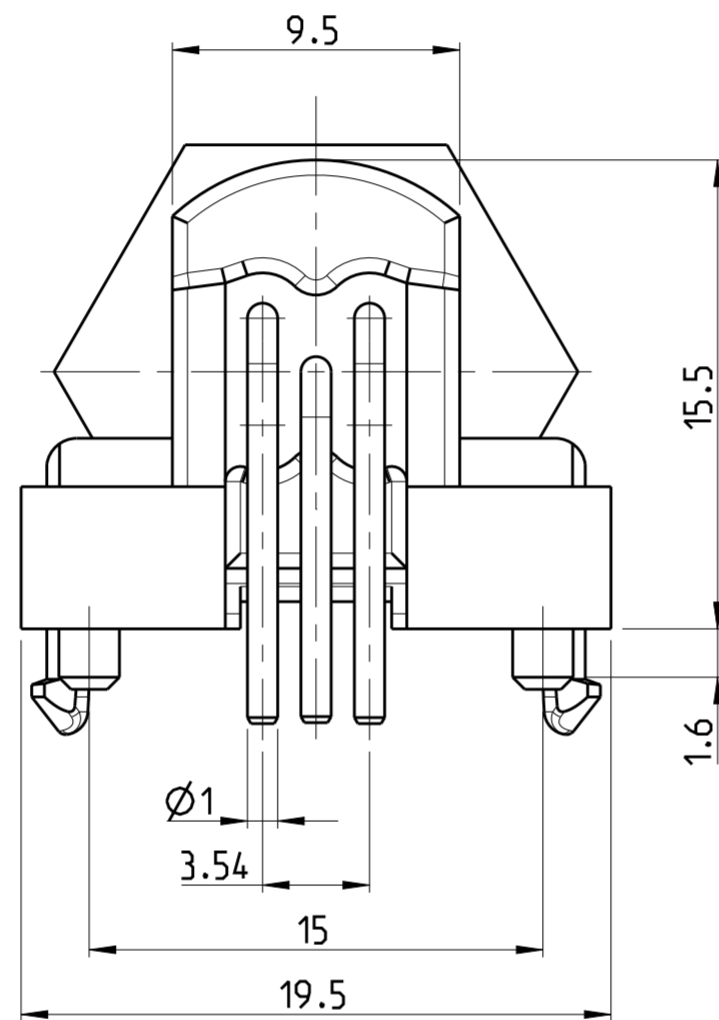
NOTES

- 1 MATERIAL: ITEM NO. 1: HOUSING - CuZn (BRASS, NICKEL PLATED)
 ITEM NO. 2: CONTACT BODY - PA
 ITEM NO. 3: CONTACT - CuZn (BRASS)
 CONTACT FINISH - AU (GOLD)

2 ALL DIMENSIONS ARE FOR NOMINAL REFERENCE ONLY UNLESS OTHERWISE STATED

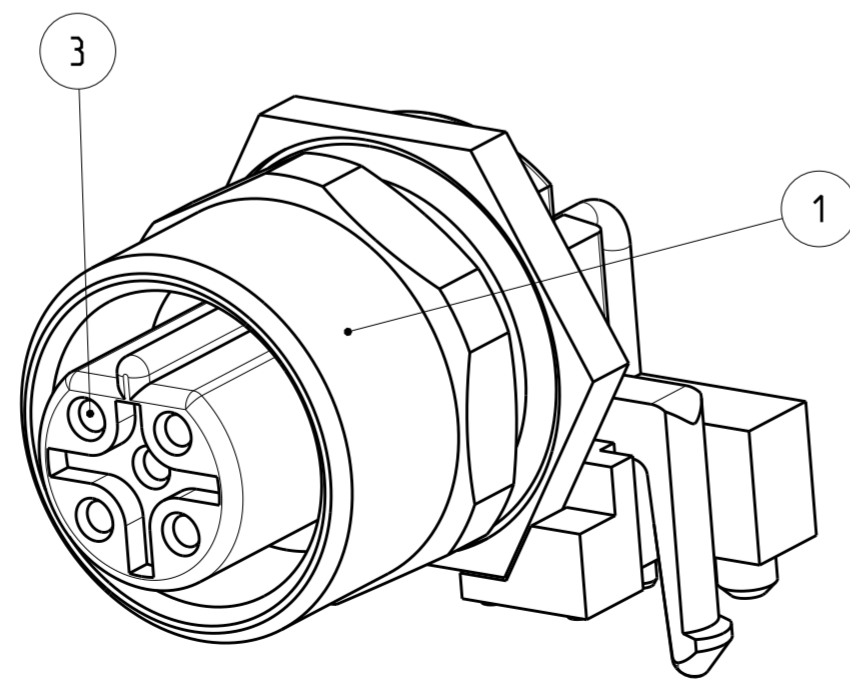
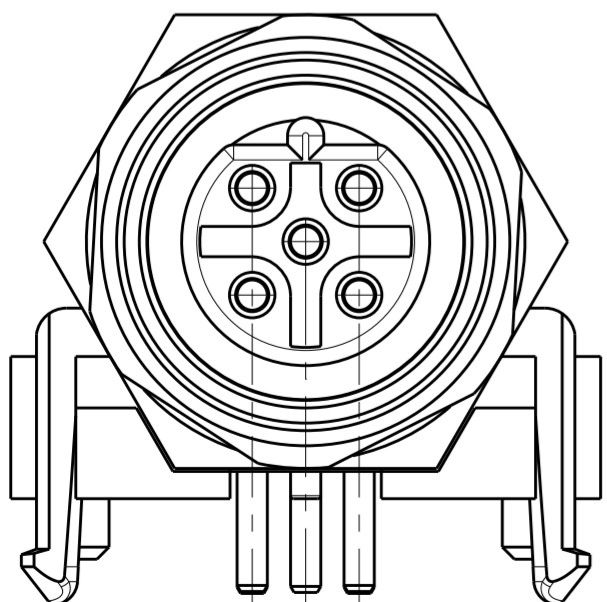
TECHNICAL DATA

	4-2172064-2
RATED VOLTAGE	125V
RATED IMPULSE VOLTAGE	1500V
POLLUTION DEGREE	3
OVERVOLTAGE CATEGORY	II
MATERIAL GROUP	II
RATED CURRENT	4A
VOLUME RESISTIVITY	≤ 3mΩ
DEGREE OF PROTECTION	IP68
UPPER TEMPERATURE	+85 °C
LOWER TEMPERATURE	+40 °C



PIN ARRANGEMENT B-CODING

4-2172064-2



SIZE ISO 14405 (E)

DIESE ZEICHNUNG IST EIN KONTROLLIERTES DOKUMENT. BEMASSUNGEN UND TOLERANZEN GEMAESS GPS (ISO STANDARDS).

THIS DRAWING IS A CONTROLLED DOCUMENT. DIMENSIONING AND TOLERANCING PER GPS (ISO STANDARDS).

DIMENSIONS: MASSEINHEITEN: (MM)	TOLERANCES UNLESS OTHERWISE SPECIFIED: ALLGEMEINTOLERANZEN	DWN YASHKUMAR 25 JUL 2014
		CHK M. BRUBAKER 25 JUL 2014
		APVD M. BRUBAKER 25 JUL 2014
		NAME M. BRUBAKER
		PRODUCT SPEC 108-19483
		APPLICATION SPEC 114-32127
MATERIAL	FINISH/OBERFLAECHE/FARBE	WEIGHT GEWICHT -
SEE NOTES	SEE NOTES	Customer Drawing

5	4-2172064-2	
MATERIAL	NUMBER OF POLES	TE-PART-NO.
STE TE Connectivity		
M12 RECEPTACLE, FEMALE, PCB MOUNT, ANGLED, SHIELDED, B-CODED		
SIZE A2	CAGE CODE 00779	DRAWING NO. ZEICHNUNGS-NR. C-2172064
SCALE MASSSTAB 4:1	SHEET BLATT 1 OF 1	REV A