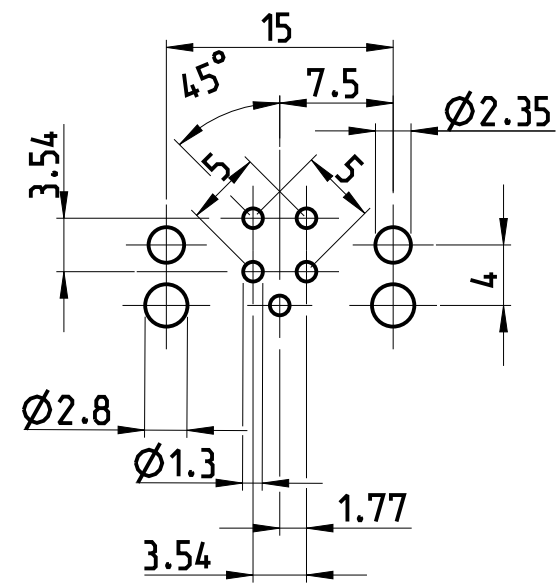


THIS DRAWING IS UNPUBLISHED.
 VERTRÄGLICHE UNVERÖFFENTLICHTE ZEICHNUNG
 © COPYRIGHT 2014 Tyco Electronics AMP GmbH
 RELEASED FOR PUBLICATION
 FREI FÜR VERÖFFENTLICHUNG
 2014
 ALL RIGHTS RESERVED.
 ALLE RECHTE VORBEHALTEN.
 DATED WITH
 PASSEND ZU:

PROJECT NO.:
 PRJ-11-000004377

REVISIONS		DATE	DWN	APVD
NO.	DESCRIPTION			
A	NEW RELEASE	04DEC2014	TJ	PS

CONDUCTOR LAYOUT

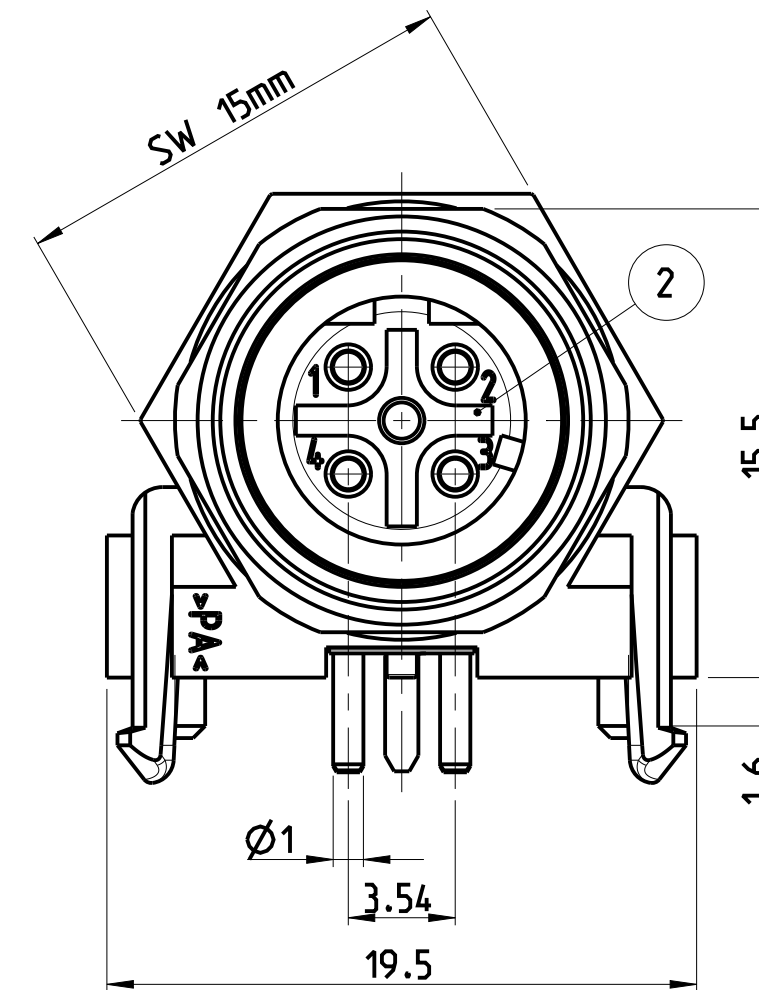
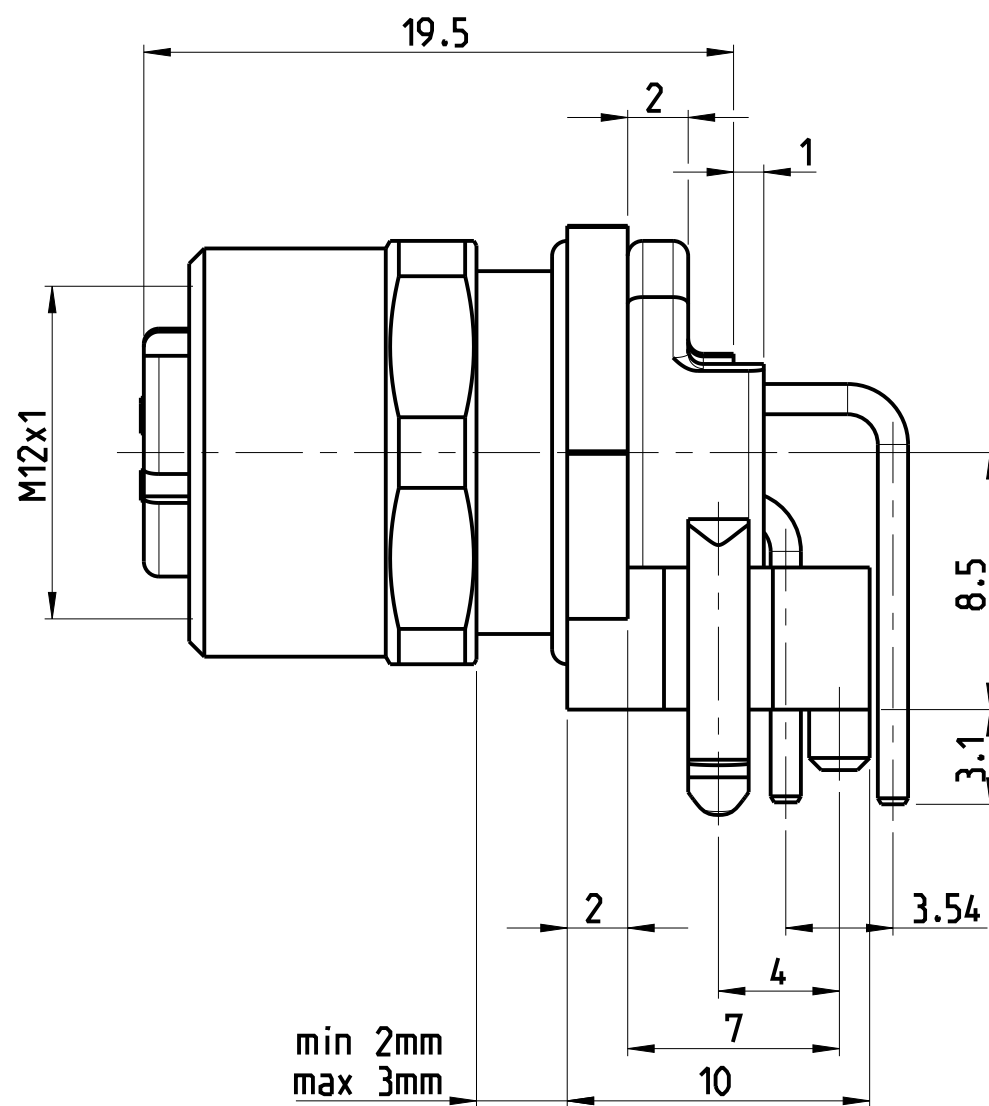


NOTES:

- ⚠ MATERIAL: ITEM NO. 1: HOUSING - CuZn (BRASS, NICKEL PLATED)
- ITEM NO. 2: CONTACT BODY - PA (GREEN)
- ITEM NO. 3: CONTACT - CuZn (BRASS)
- CONTACT FINISH - Sn (TIN)

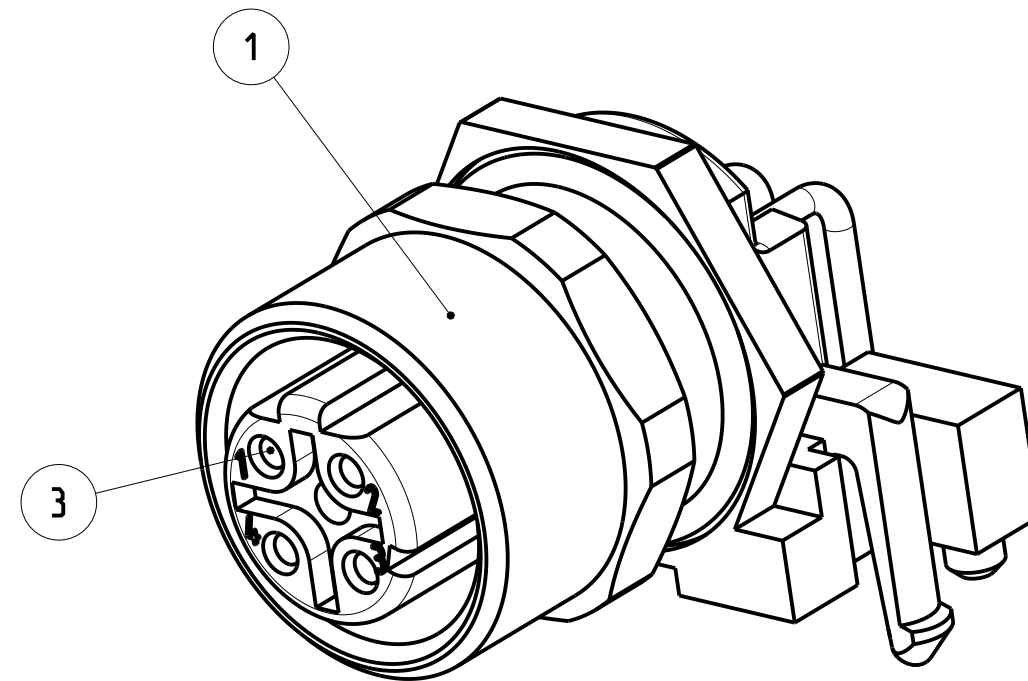
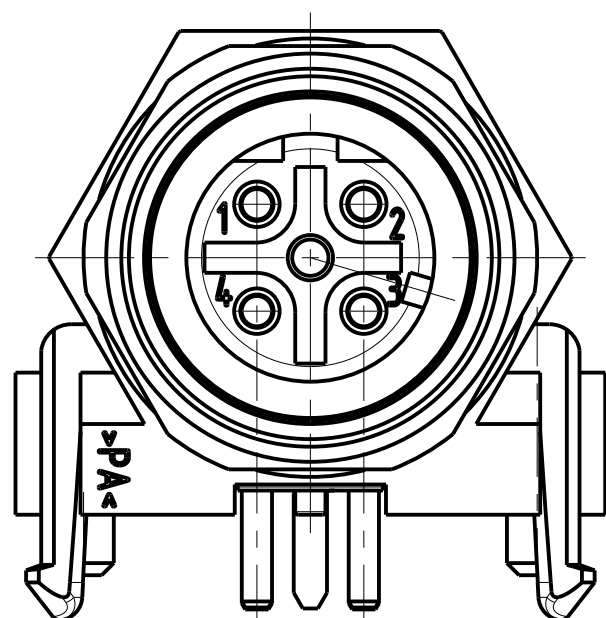
2 ALL DIMENSIONS ARE FOR NOMINAL REFERENCE ONLY UNLESS OTHERWISE STATED

TECHNICAL DATA	3-2172066-2
RATED VOLTAGE	125V
RATED IMPULSE VOLTAGE	2500V
POLLUTION DEGREE	3
OVERVOLTAGE CATEGORY	II
MATERIAL GROUP	II
RATED CURRENT	4A
VOLUME RESISTIVITY	≤ 8mΩ
DEGREE OF PROTECTION	IP67
UPPER TEMPERATURE	+85 °C
LOWER TEMPERATURE	+40 °C



PIN ARRANGEMENT
 D-CODING

3-2172066-2



SIZE ISO 14405 ⓔ

DIESE ZEICHNUNG IST EIN KONTROLLIERTES DOKUMENT. BEMASSUNGEN UND TOLERANZEN GEMAESS GPS (ISO STANDARDS).		DWN YASHKUMAR 25 JUL 2014
THIS DRAWING IS A CONTROLLED DOCUMENT. DIMENSIONING AND TOLERANCING PER GPS (ISO STANDARDS).		CHK M. BRUBAKER 25 JUL 2014
DIMENSIONS: MASSE/MASSSTAB: [mm]	TOLERANCES UNLESS OTHERWISE SPECIFIED: ALLGEMEINTOLERANZEN	APVD M. BRUBAKER 25 JUL 2014
0 PLC ±	1 PLC ±	PRODUCT SPEC
2 PLC ±	3 PLC ±	108-19483
4 PLC ±	ANGLES/WINKEL ±	APPLICATION SPEC
FINISH/OBERFLÄCHE/FARBE	WEIGHT GEWICHT	114-32127
SEE NOTES	SEE NOTES	Customer Drawing

⚠	4	3-2172066-2
MATERIAL	NUMBER OF POLES	TE-PART-NO.



M12 RECEPTACLE, FEMALE, PCB MOUNT
 ANGLED, SHIELDED, D-CODED

SIZE A2	CAGE CODE 00779	DRAWING NO. ZEICHNUNGS-NR. C-2172066	RESTRICTED TO MUR FUER -
SCALE MASSSTAB 4:1	SHEET BLATT 1	OF VON 1	REV A