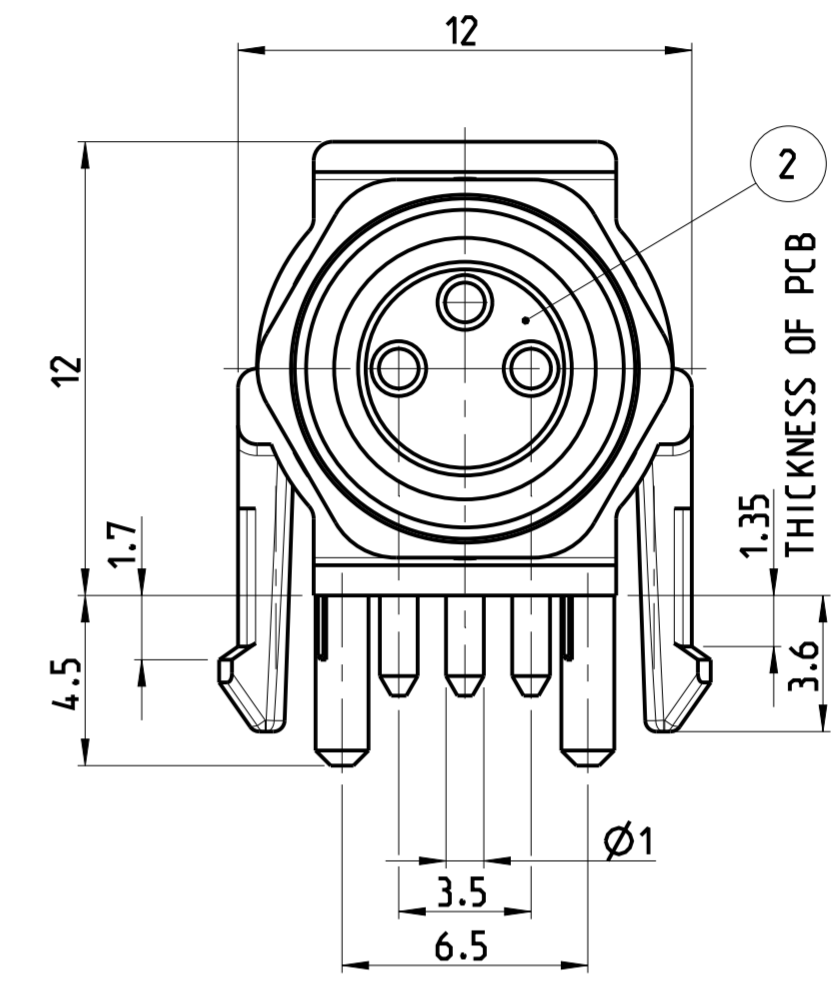
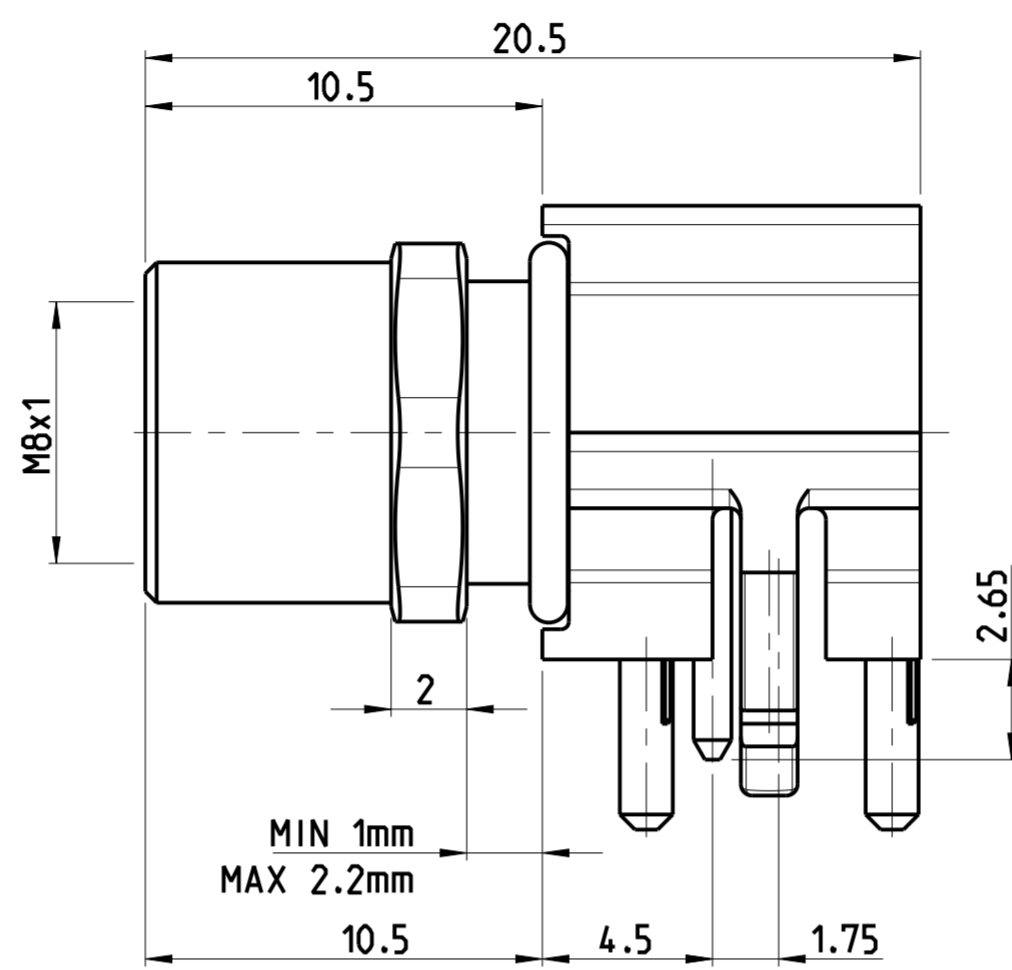


THIS DRAWING IS UNPUBLISHED. VERTRÄGLICHE UNVERPFLICHTETE ZEICHNUNG. RELEASED FOR PUBLICATION FREI FÜR VERÖFFENTLICHUNG. 2014. DATED WITH PASSEND ZU. ALL RIGHTS RESERVED. ALLE RECHTE VORBEHALTEN.

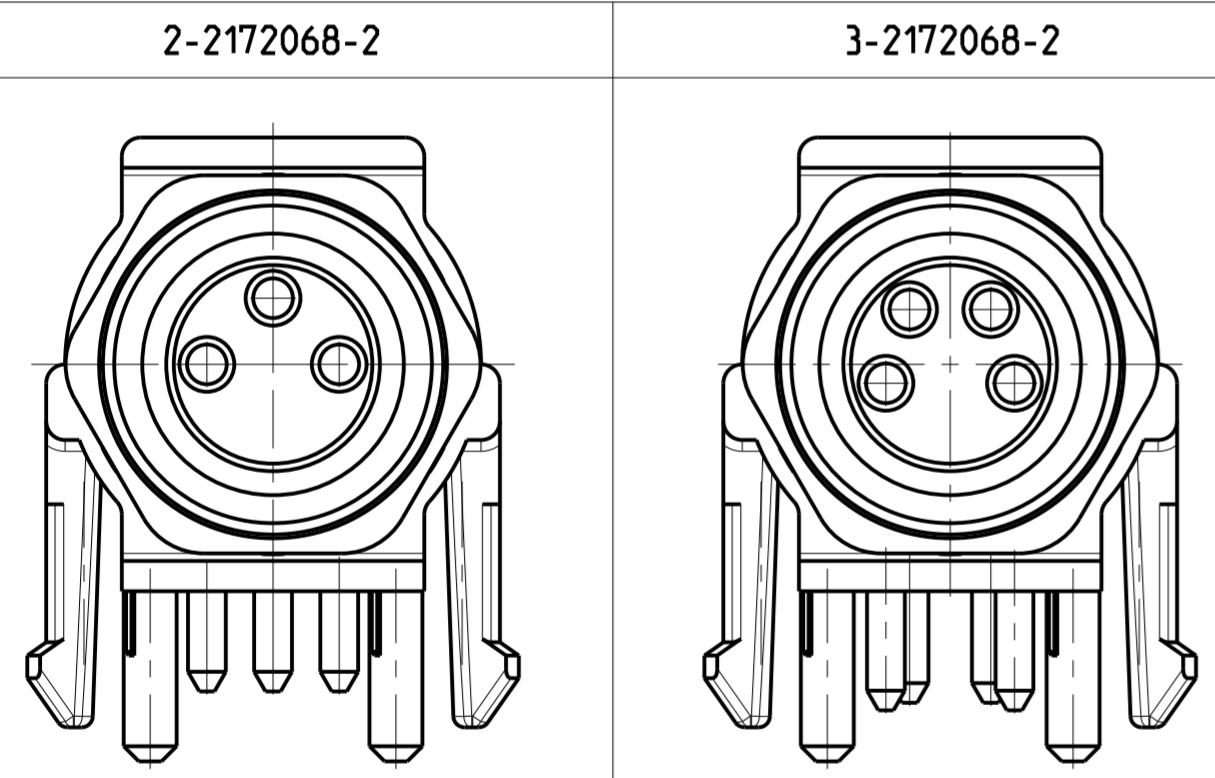
PROJECT NO.: PRJ-11-000004377

REVISIONS		DATE	DWN	APVD
NO.	DESCRIPTION			
A	NEW RELEASE	04DEC2014	TJ	PS

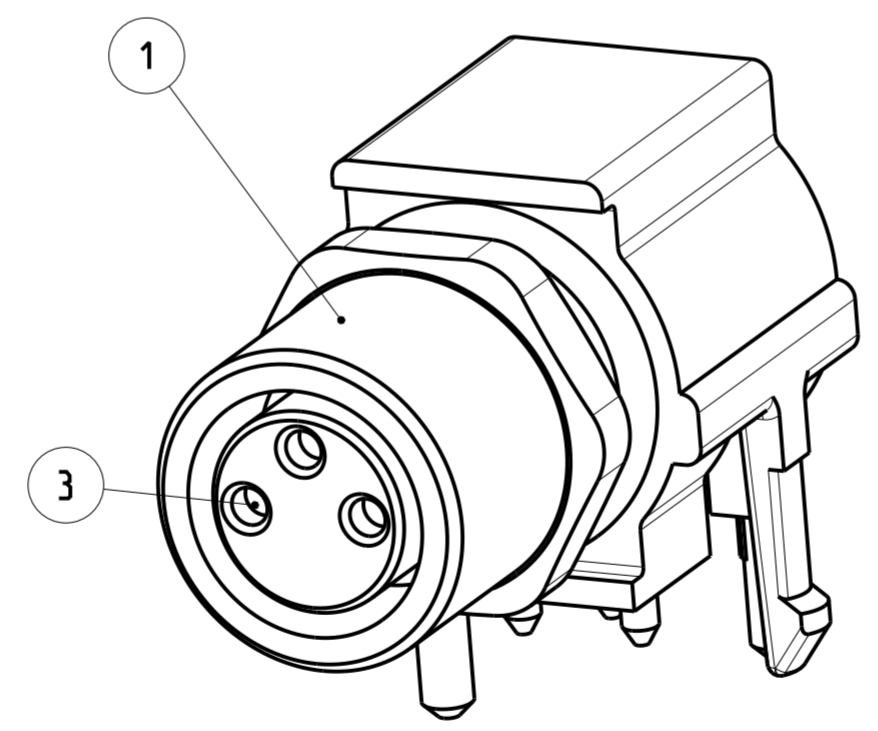
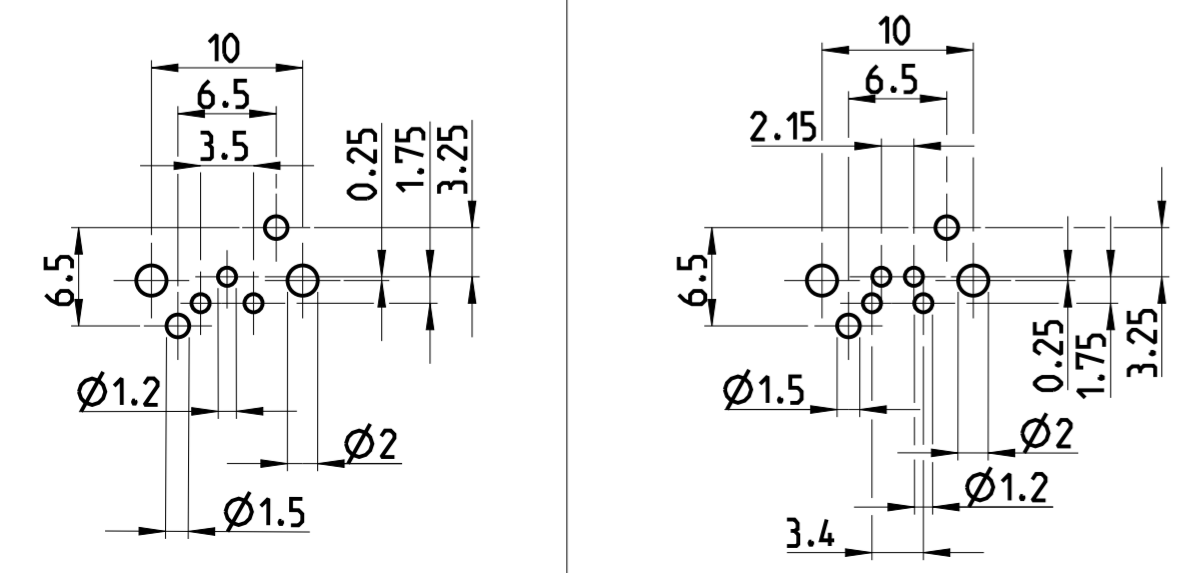
TECHNICAL DATA	2-2172068-2	3-2172068-2
RATED VOLTAGE	60V	30V
RATED IMPULSE VOLTAGE	800V	800V
POLLUTION DEGREE	3	3
OVERVOLTAGE CATEGORY	II	II
MATERIAL GROUP	II	II
RATED CURRENT	4A	4A
VOLUME RESISTIVITY	≤ 3mΩ	≤ 3mΩ
DEGREE OF PROTECTION	IP67	IP67
UPPER TEMPERATURE	+85 °C	+85 °C
LOWER TEMPERATURE	-40 °C	+40 °C



PIN ARRANGEMENT



CONDUCTOR LAYOUT



NOTES:

- ⚠ MATERIAL: ITEM NO. 1: HOUSING - CuZn (BRASS NICKEL PLATED)
  - ITEM NO. 2: CONTACT BODY - PA
  - ITEM NO. 3: CONTACT - CuSn (BRONZE)
  - CONTACT FINISH - Au (GOLD)
- 2 ALL DIMENSIONS ARE FOR NOMINAL REFERENCE ONLY UNLESS OTHERWISE STATED

DIESE ZEICHNUNG IST EIN KONTROLLIERTES DOKUMENT. BEMASSUNGEN UND TOLERANZEN GEMAESS GPS (ISO STANDARDS).

THIS DRAWING IS A CONTROLLED DOCUMENT. DIMENSIONING AND TOLERANCING PER GPS (ISO STANDARDS).

DIMENSIONS: MASSE/MASSSTAB: (MM)	TOLERANCES UNLESS OTHERWISE SPECIFIED: ALLGEMEINTOLERANZEN	DWN YASHKUMAR 25 JUL 2014
		CHK M. BRUBAKER 25 JUL 2014
		APVD M. BRUBAKER 25 JUL 2014
		NAME M12 RECEPTACLE, FEMALE, PCB MOUNT, ANGLED
		PRODUCT SPEC 108-19483
		APPLICATION SPEC 114-32127
MATERIAL	FINISH/OBERFLÄCHE/FARBE	WEIGHT GEWICHT
SEE NOTES	SEE NOTES	-

⚠	4	3-2172068-2
⚠	3	2-2172068-2
MATERIAL	NUMBER OF POLES	TE-PART-NO.



SIZE A2	CAGE CODE 00779	DRAWING NO. C-2172068	RESTRICTED TO MUR FUER -
SCALE MASSSTAB 2:1	SHEET BLATT 1	OF VON 1	REV A