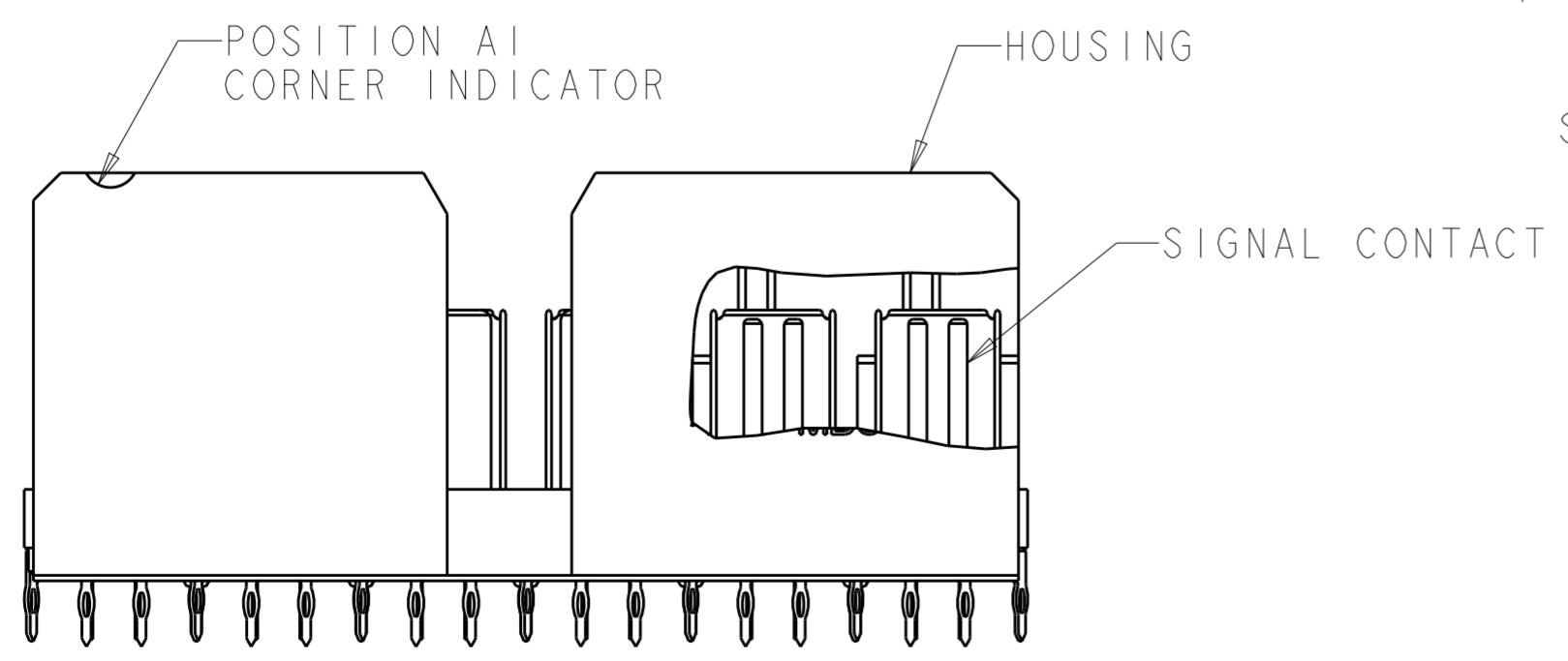
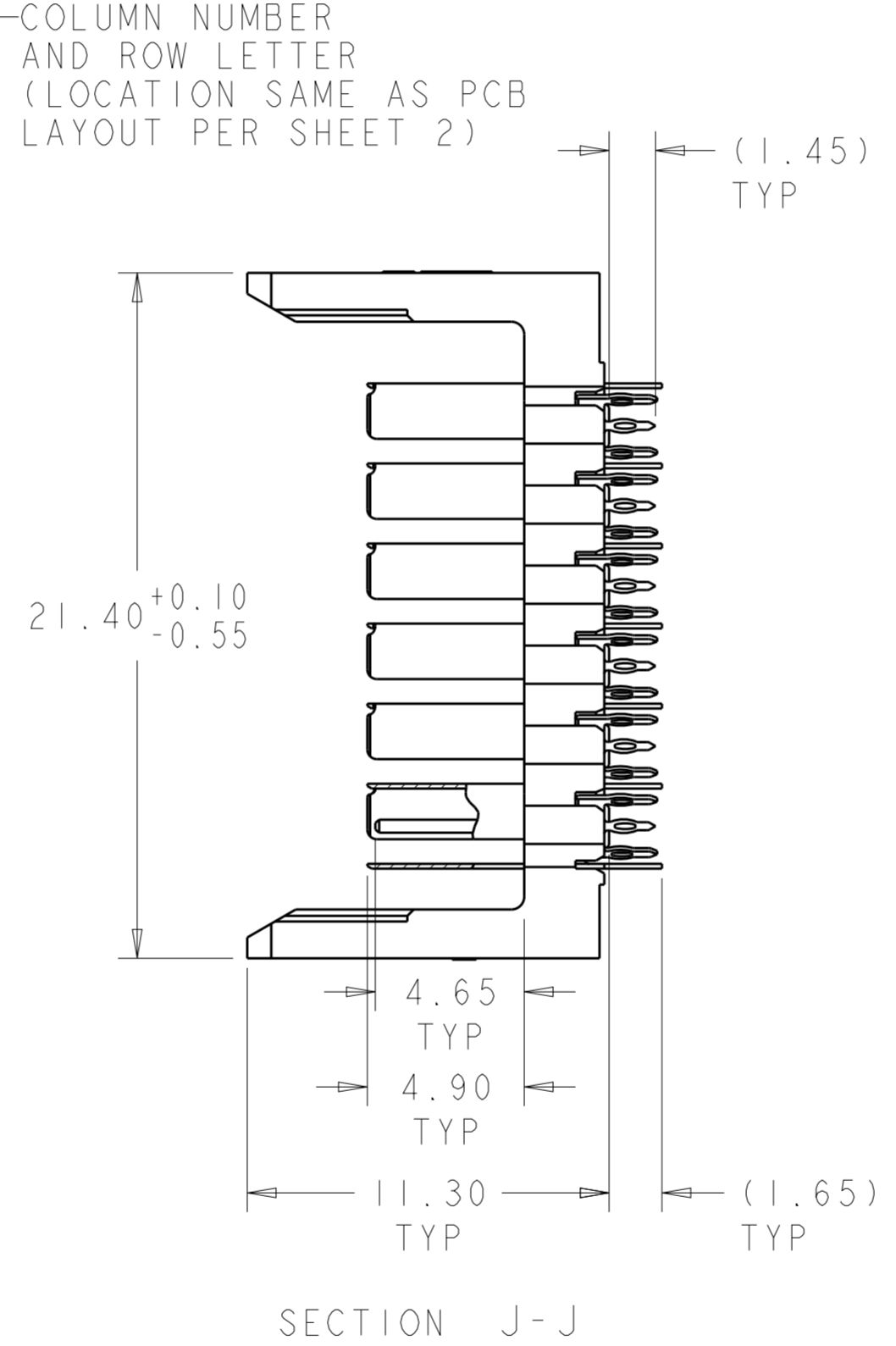
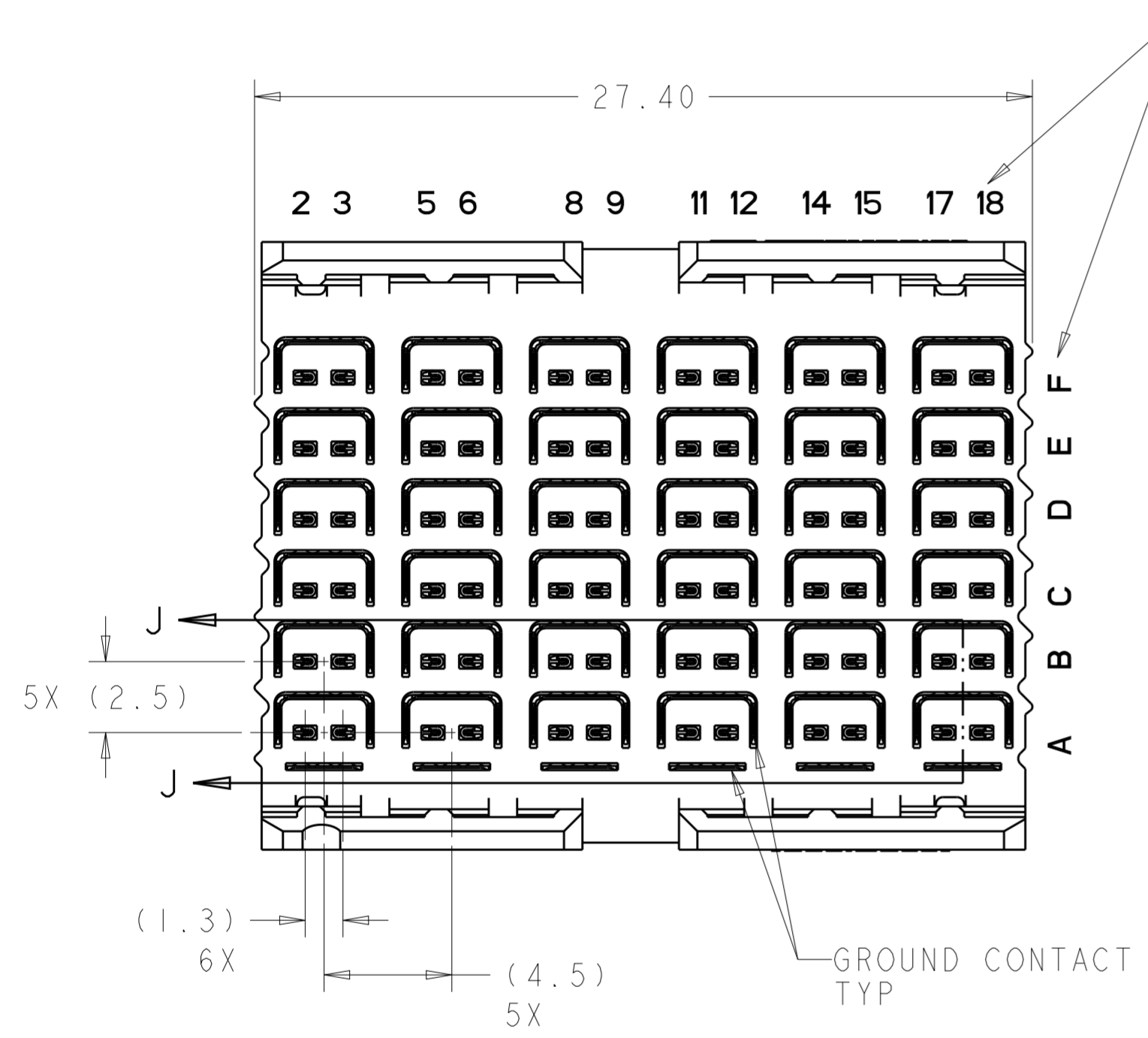
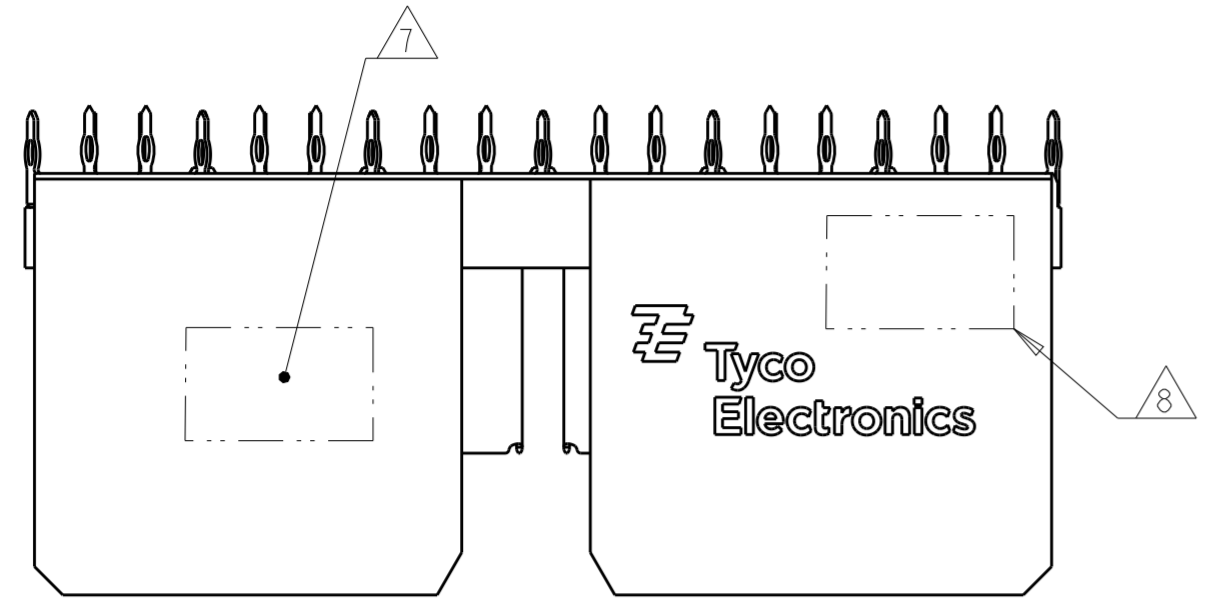


THIS DRAWING IS UNPUBLISHED. RELEASED FOR PUBLICATION 20
 © COPYRIGHT 20 TE CONNECTIVITY ALL RIGHTS RESERVED.

LOC	DIST	REVISIONS					
GP	00	P	LTR	DESCRIPTION	DATE	DWN	APVD
		A		INITIAL RELEASE	28OCT2013	J.G	C.Z
		B		UPDATED FHS ON NOTE 4	14NOV2013	J.G	C.Z



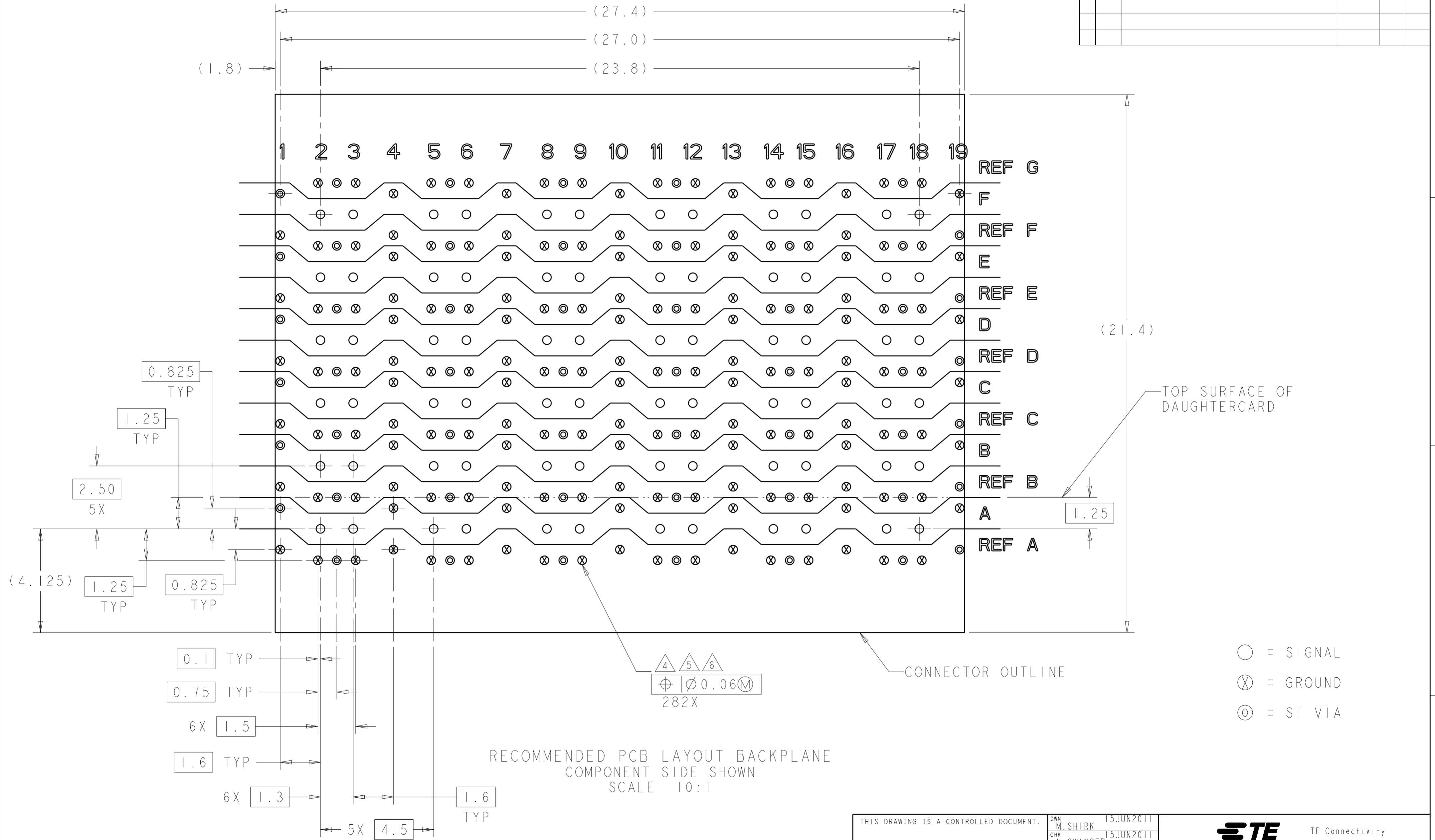
- ① HOUSING: THERMOPLASTIC, UL 94V-0, BLACK. CONTACT: COPPER ALLOY.
- ② CONFORMS TO REQUIREMENTS OF TE PRODUCT SPEC 108-2413, BASED ON TELECORDIA GR-1217-CORE FOR SYSTEM QUALITY LEVEL III APPLICATIONS IN CONTROLLED ENVIRONMENTS (CENTRAL OFFICE).
- ③ CONSULT APPLICATION SPECIFICATION 114-13301.
- ④ PLATED THRU HOLE REQUIREMENTS:
 FINISHED HOLE = $\varnothing 0.344 \pm 0.046$ mm
 DRILLED HOLE BEFORE PLATING = $\varnothing 0.420 \sim 0.435$ mm
 COPPER THICKNESS = 0.042mm REF
- ⑤ PLATED THRU HOLE DIMENSIONS APPLY TO 1.00mm DEPTH FROM MOUNT SIDE OF BOARD.
- ⑥ HOLE POSITION TOLERANCE APPLIES WITHIN PATTERN FOR CONNECTOR PATTERN TO CONNECTOR PATTERN, A 0.12(M) POSITION TOLERANCE APPLIES.
- ⑦ CONNECTOR MARKED WITH PART NUMBER, DATE CODE, AND OPTIONAL MANUFACTURING LOCATION IDENTIFICATION CODE IN APPROXIMATE AREA SHOWN.
- ⑧ CONNECTOR MARKED WITH 2D BARCODE IN APPROXIMATE AREA SHOWN.

72	TIN	2180826-2
72	TIN-LEAD	2180826-1
SIGNAL CONTACT QTY REF	PRESS FIT TAIL PLATING	PART NO

DIMENSIONS:		TOLERANCES UNLESS OTHERWISE SPECIFIED:		APVD		NAME	
mm	0 PLC	±		M. SHIRK	15JUN2011	TE Connectivity	
	1 PLC	±		N. SWANGER	15JUN2011	HEADER ASSEMBLY, 6 PAIR 6 COLUMN, 4.5mm PITCH, STRADA WHISPER	
	2 PLC	±0.10		N. SWANGER	15JUN2011	SIZE	CAGE CODE
	3 PLC	±				A2	00779
	4 PLC	±				DRAWING NO	2180826
	ANGLES	±				RESTRICTED TO	
	FINISH	±				SCALE	5:1
MATERIAL	① -	SEE TABLE				SHEET	1 OF 2
						REV	B

THIS DRAWING IS UNPUBLISHED. RELEASED FOR PUBLICATION 20
 © COPYRIGHT 20 TE CONNECTIVITY ALL RIGHTS RESERVED.

LOC	DIST	REVISIONS					
GP	00	P	LTR	DESCRIPTION	DATE	DWN	APVD
		-		SEE SHEET 1			

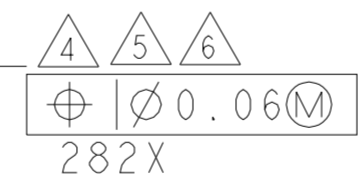


TOP SURFACE OF DAUGHTERCARD

CONNECTOR OUTLINE

- = SIGNAL
- ⊗ = GROUND
- ⊙ = SI VIA

- 0.1 TYP
- 0.75 TYP
- 6X 1.5
- 1.6 TYP
- 6X 1.3
- 5X 4.5
- 1.6 TYP



RECOMMENDED PCB LAYOUT BACKPLANE
 COMPONENT SIDE SHOWN
 SCALE 10:1

THIS DRAWING IS A CONTROLLED DOCUMENT.		DWN M. SHIRK 15JUN2011	TE Connectivity
DIMENSIONS: mm		CHK N. SWANGER 15JUN2011	
TOLERANCES UNLESS OTHERWISE SPECIFIED:		APVD N. SWANGER 15JUN2011	
0 PLC ± 1 PLC ± 2 PLC ±0.10 3 PLC ± 4 PLC ± ANGLES ± FINISH ±		PRODUCT SPEC	NAME
MATERIAL		APPLICATION SPEC	HEADER ASSEMBLY, 6 PAIR 6 COLUMN, 4.5mm PITCH, STRADA WHISPER
SEE TABLE		WEIGHT	SIZE CAGE CODE DRAWING NO RESTRICTED TO
CUSTOMER DRAWING		SCALE 5:1	A200779 C-2180826
		SHEET 2 OF 2	REV B