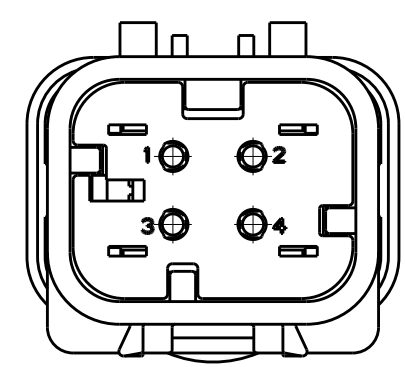
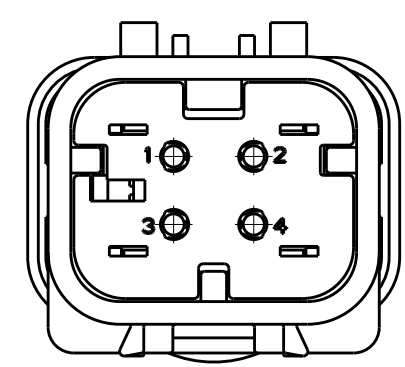


THIS DRAWING IS UNPUBLISHED  
RELEASED FOR PUBLICATION  
COPYRIGHT 20 BY - ALL RIGHTS RESERVED.

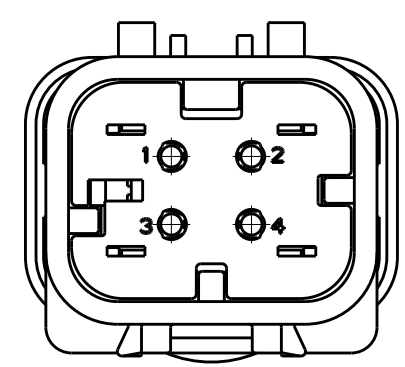
REVISIONS				
P	LTR	DESCRIPTION	DATE	APVD
	D	REVISED PER ECO-13-019168	05DEC2013	DR RB



776488-2  
SCALE 2:1

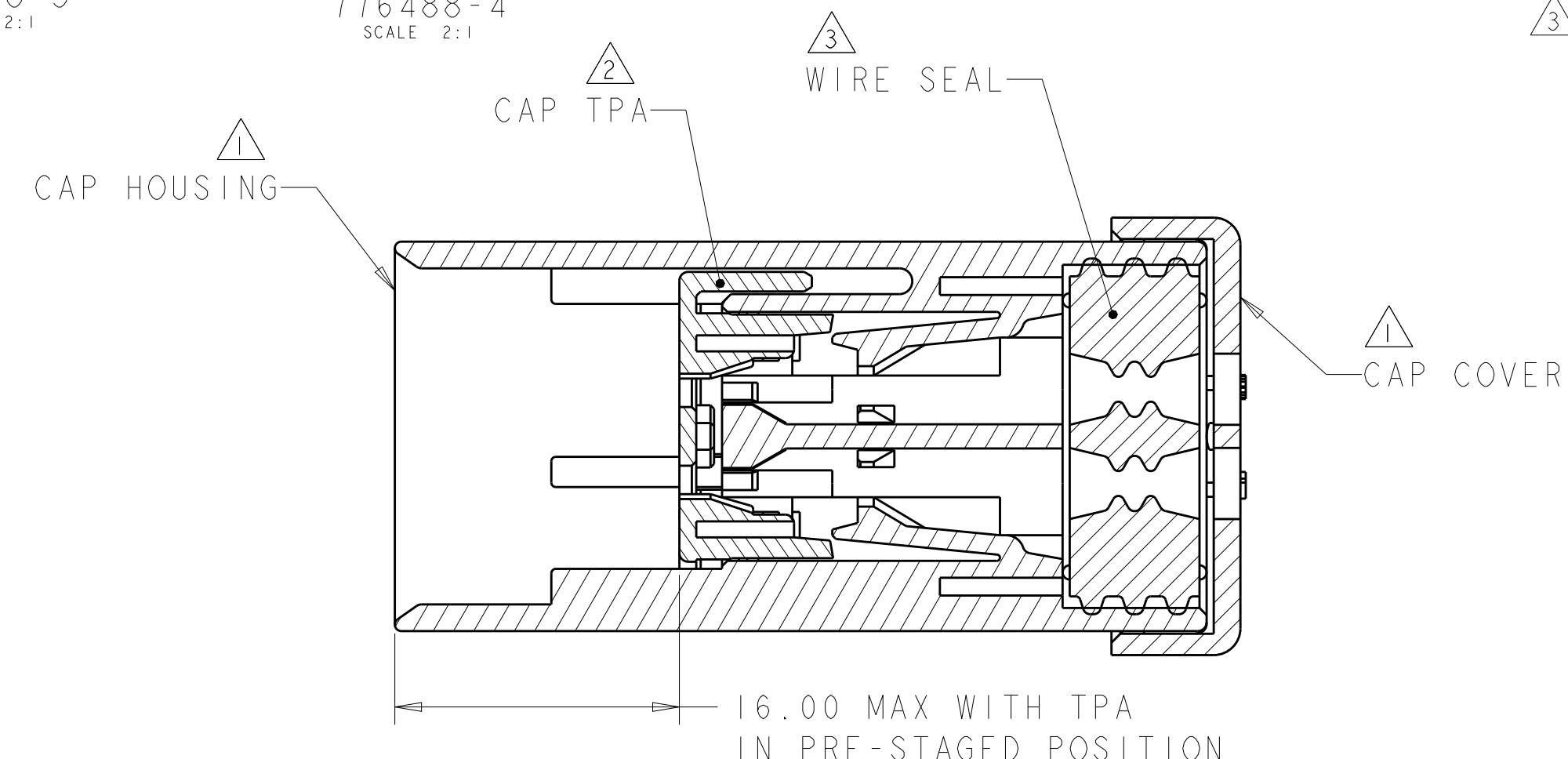


776488-3  
SCALE 2:1

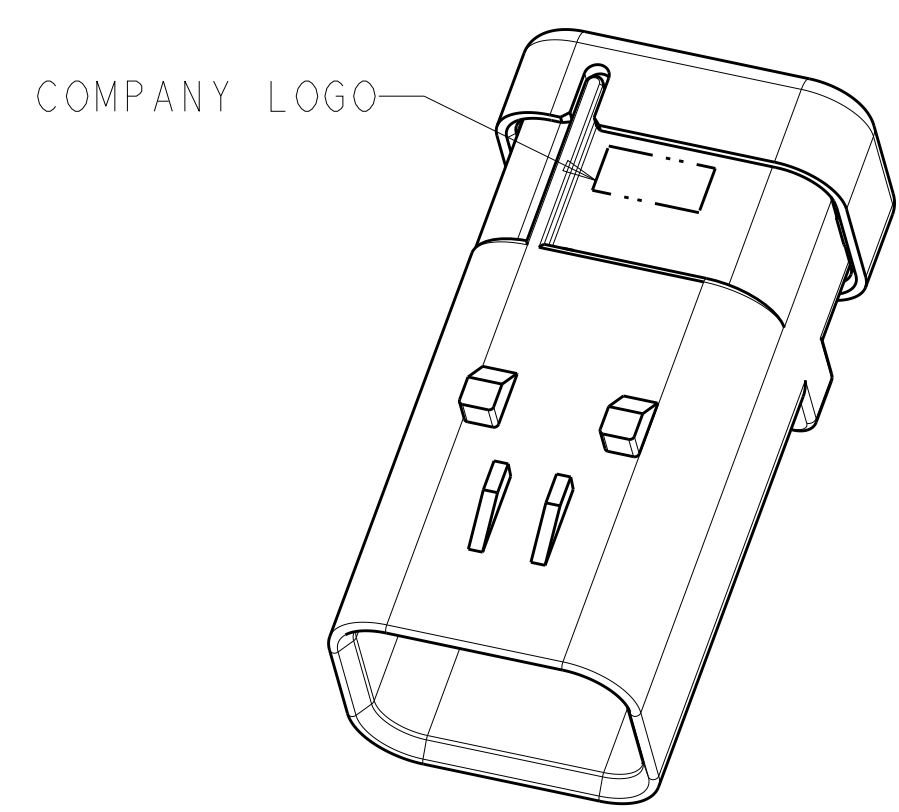


776488-4  
SCALE 2:1

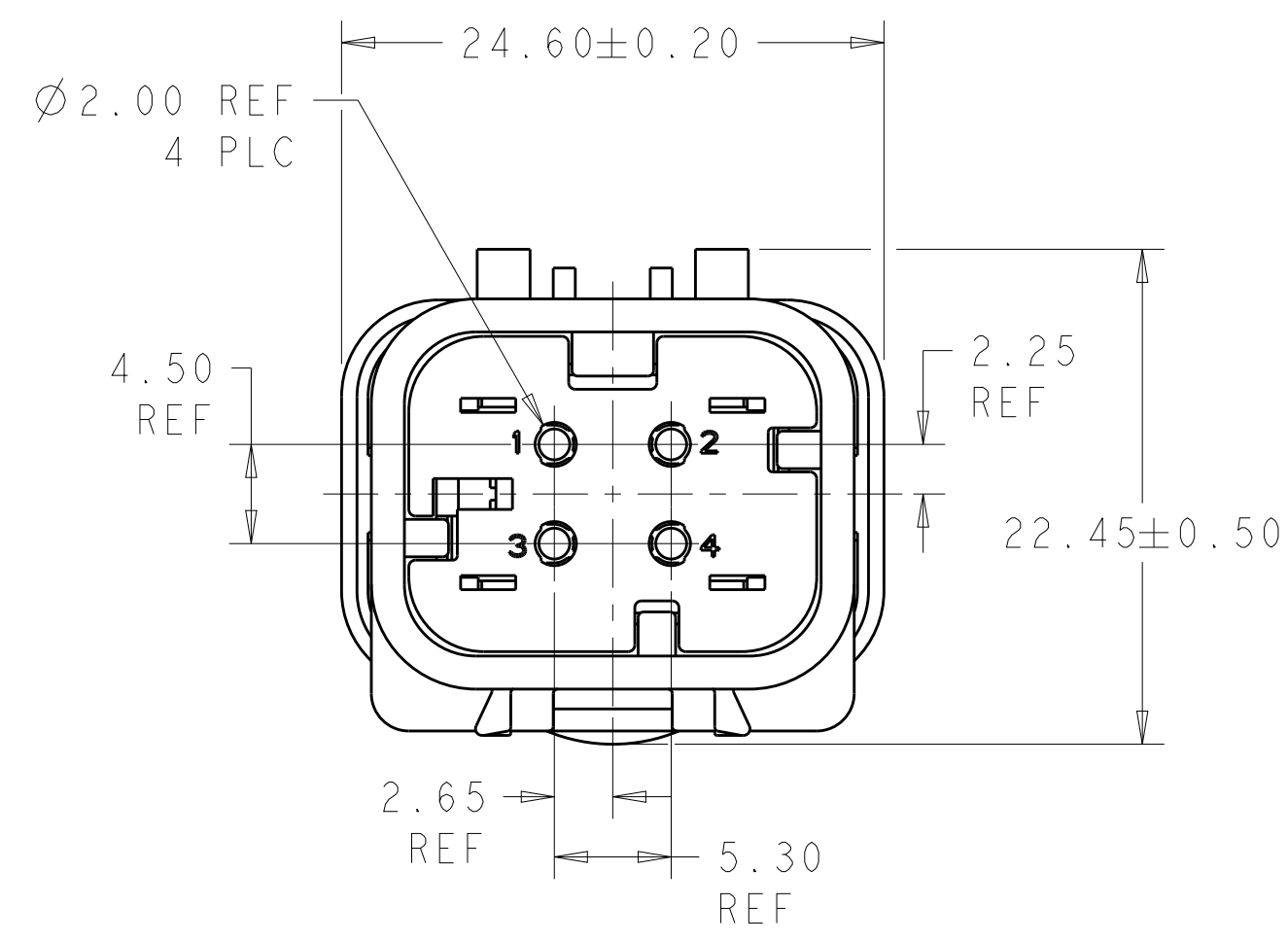
- ① MATERIAL: 15% GLASS FILLED THERMOPLASTIC  
COLOR: BLACK
- ② MATERIAL: 15% GLASS FILLED THERMOPLASTIC  
COLOR: (SEE TABLE)
- ③ MATERIAL: SILICONE  
COLOR: GREEN



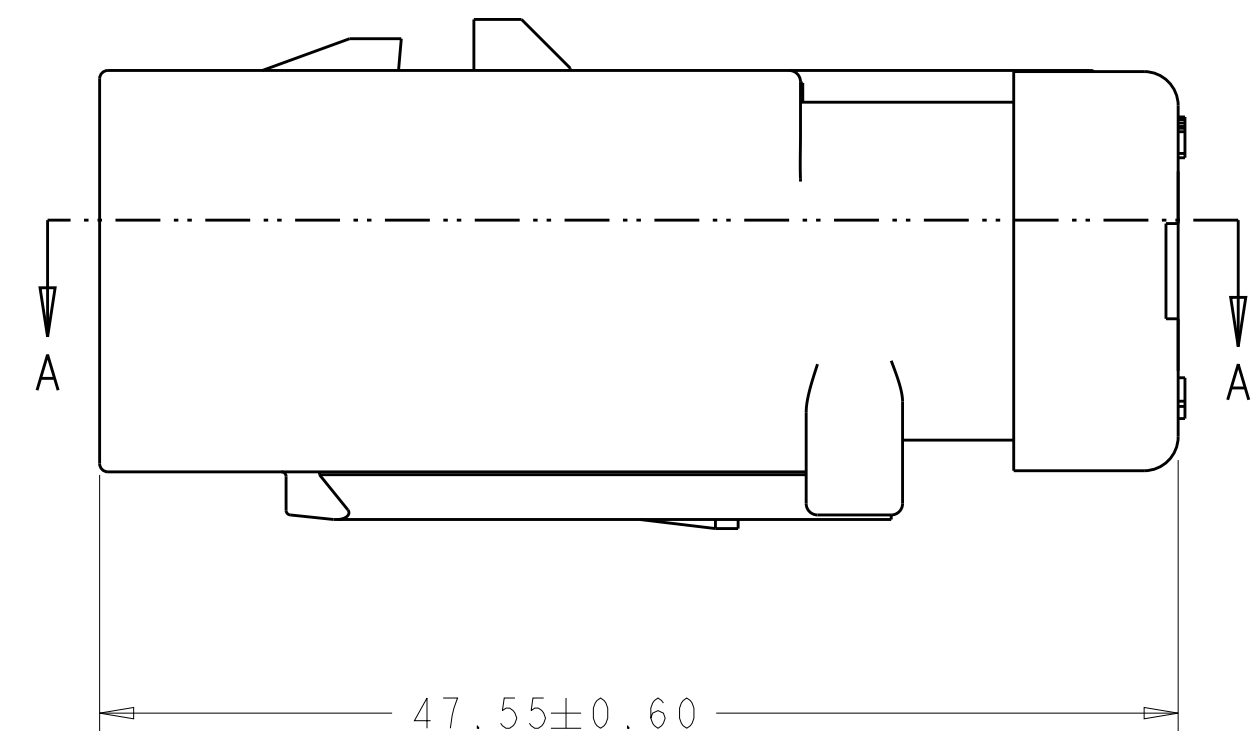
SECTION A-A



SCALE 2:1



776488-1 SHOWN



47.55±0.60

GREEN	776488-4
YELLOW	776488-3
GRAY	776488-2
RED	776488-1
TPA COLOR	PART NUMBER

THIS DRAWING IS A CONTROLLED DOCUMENT.		DWN W. HOELSCHER 16DEC02	 TE Connectivity	
DIMENSIONS:		CHK B. SIMPSON 18DEC02		
TOLERANCES UNLESS OTHERWISE SPECIFIED:		APVD D. KLEIN 18DEC02		
mm		PRODUCT SPEC 108-2184		
		APPLICATION SPEC 114-13065	NAME CAP ASSEMBLY, 4 POSITION, DUAL ROW, AMPSEAL 16	
MATERIAL	-	WEIGHT 14	SIZE A200779	DRAWING NO. C-776488
Customer Drawing		SCALE 3:1	SHEET 1	REV D