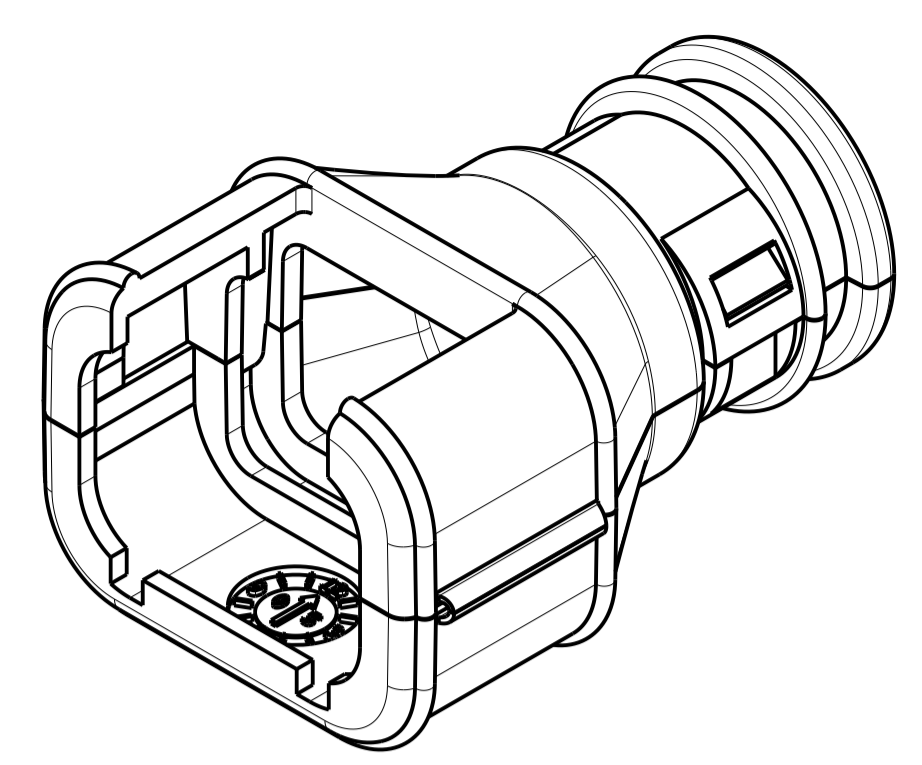
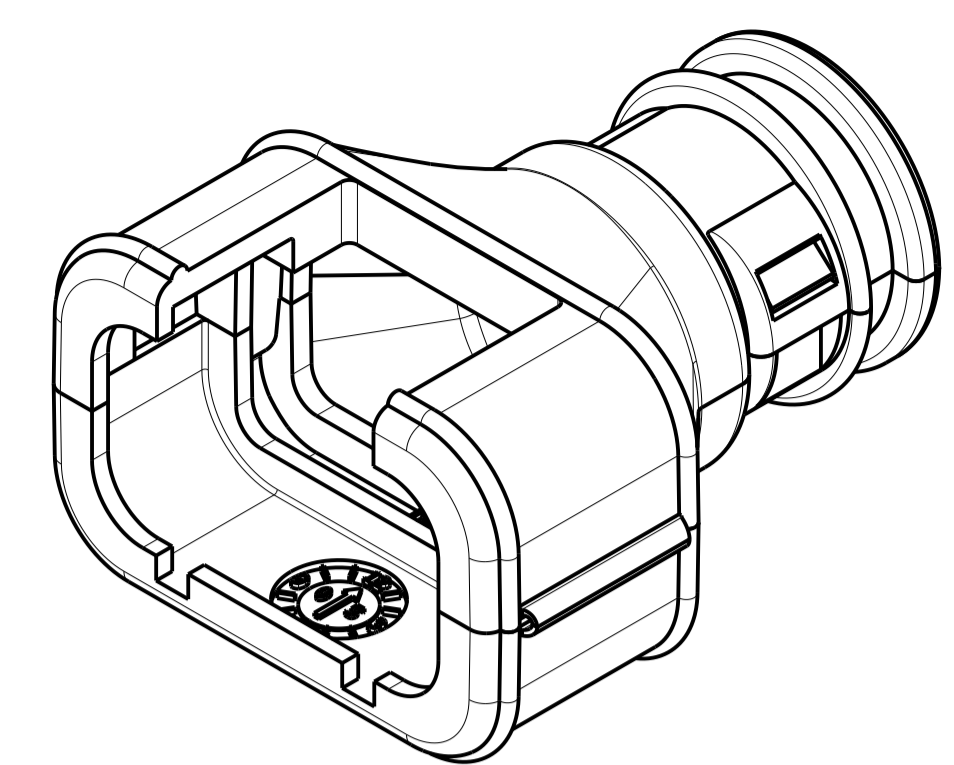


REVISIONS				
P.	LTN	DESCRIPTION	DATE	OWN APVD
C		REVISED PER ECO-11-017736	30SEP2011	DD RB
C1		REVISED PER ECO-14-013809	16SEP2014	DD RB

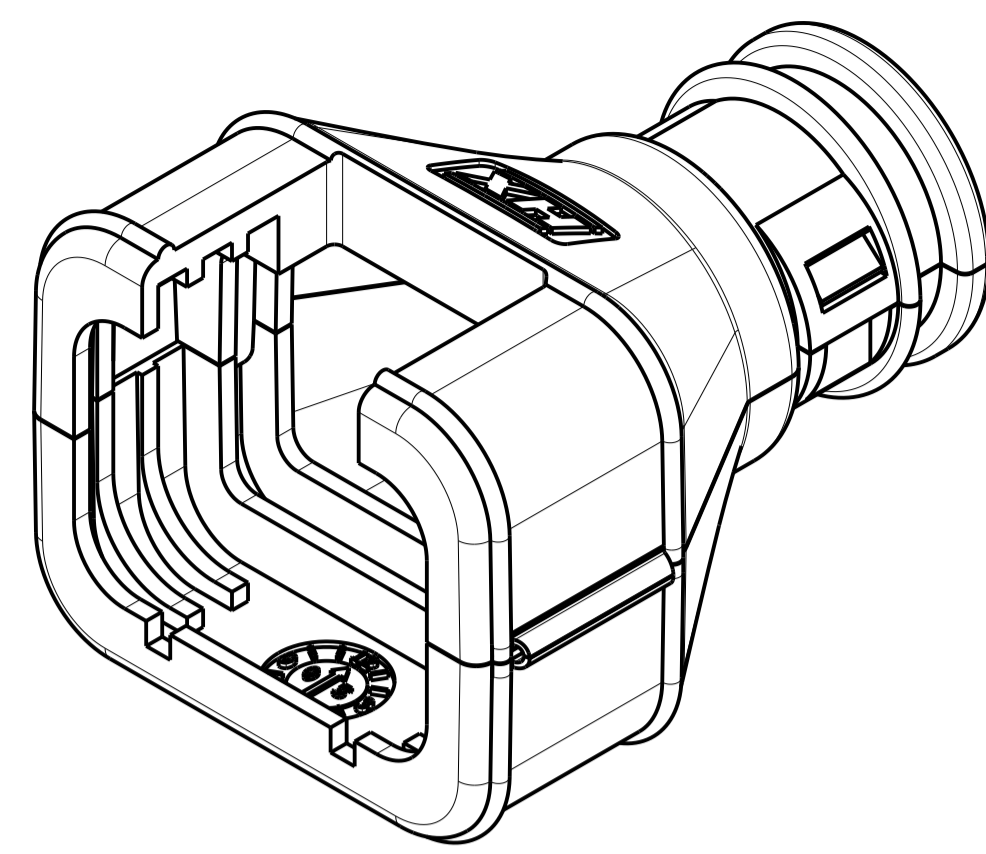
△ DIMENSION TO BE MEASURED WHEN THE COVER IS CLOSED.



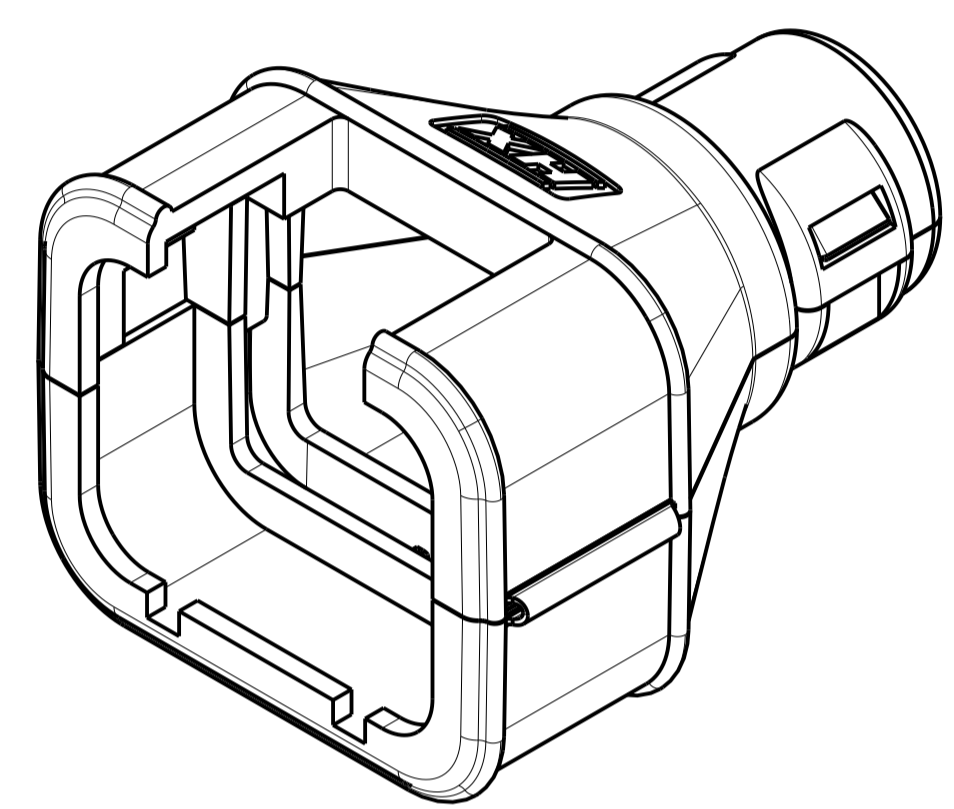
2035047-1



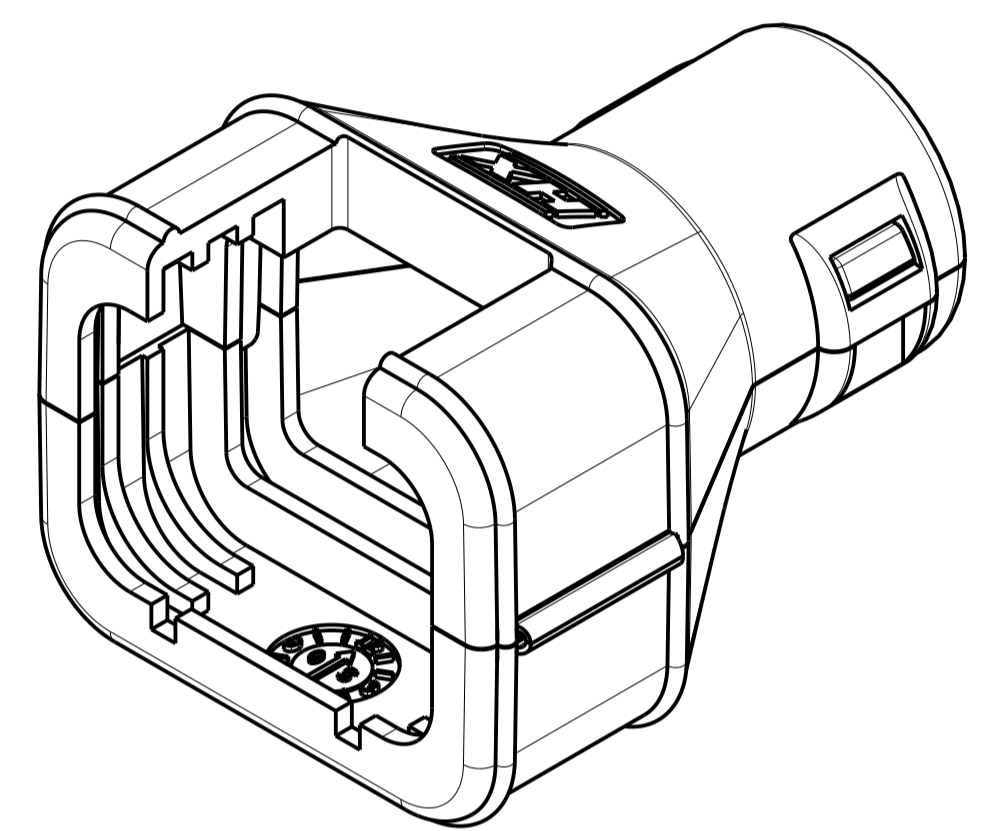
2035047-2



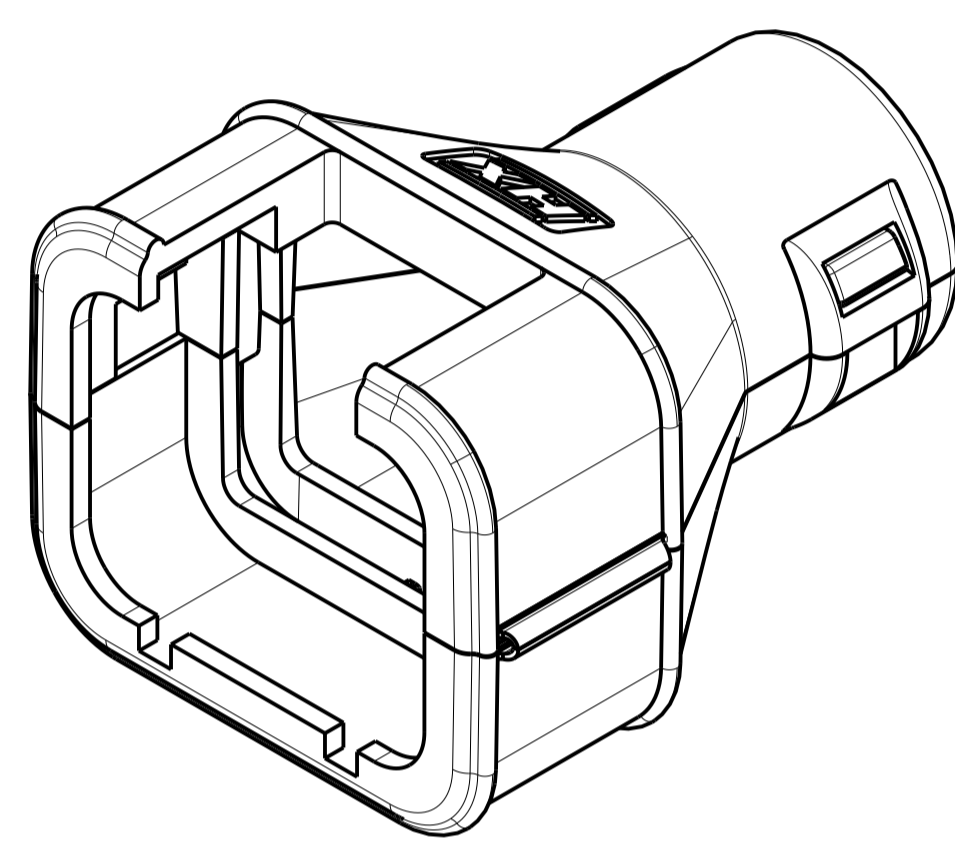
2035047-3



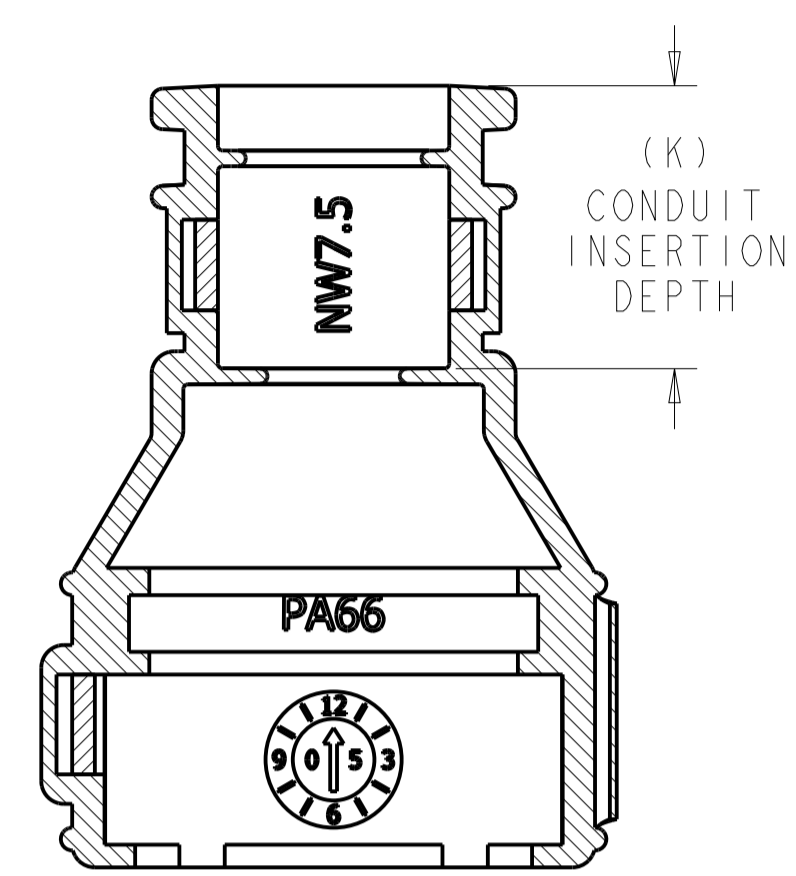
2035047-4



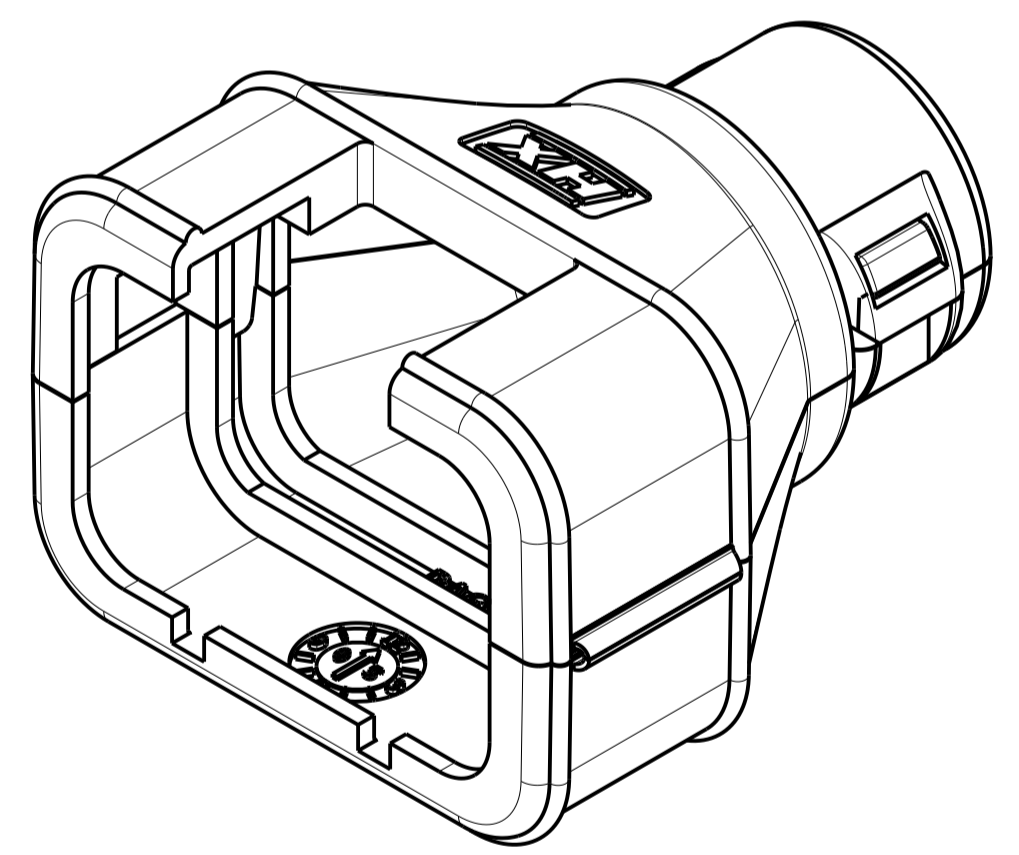
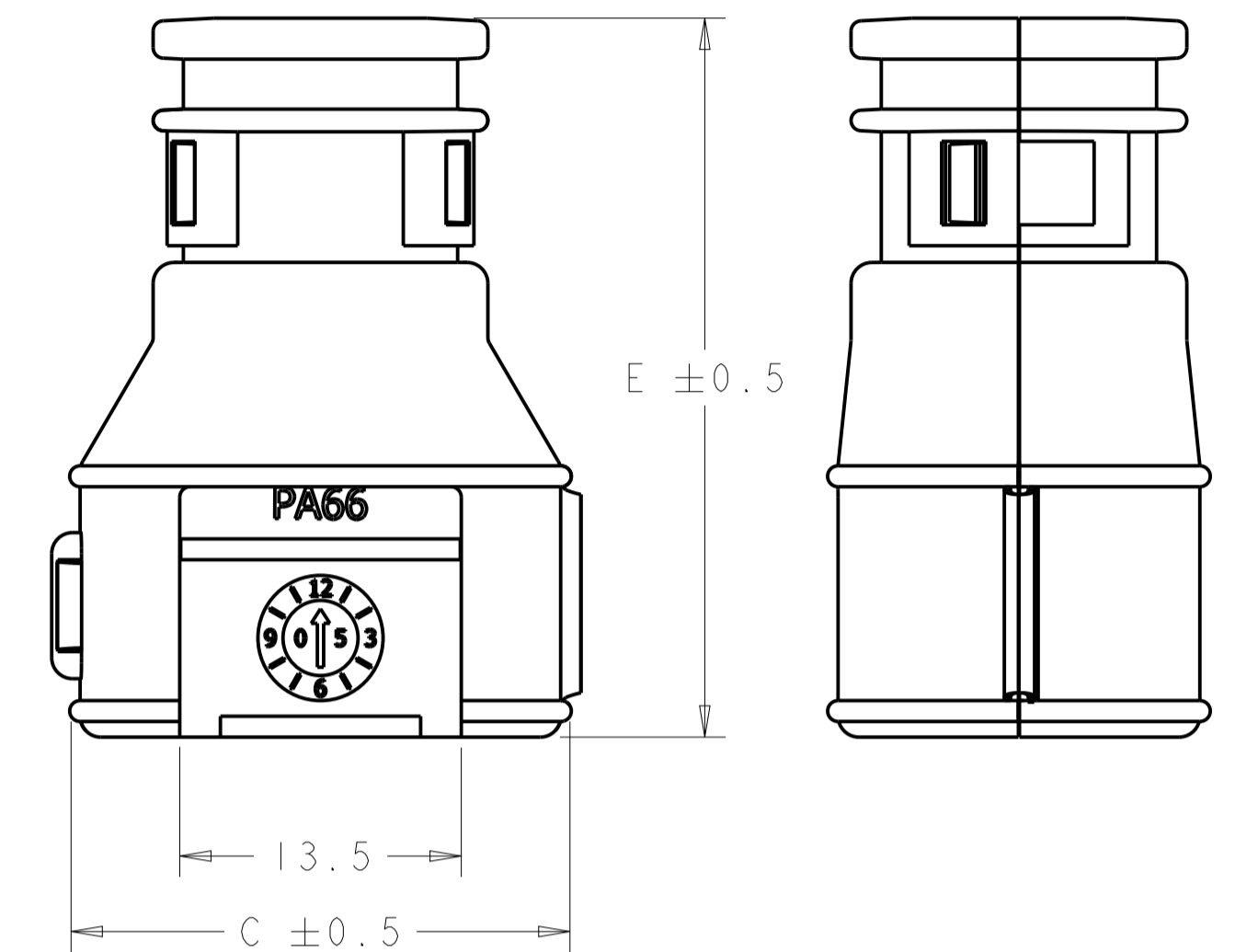
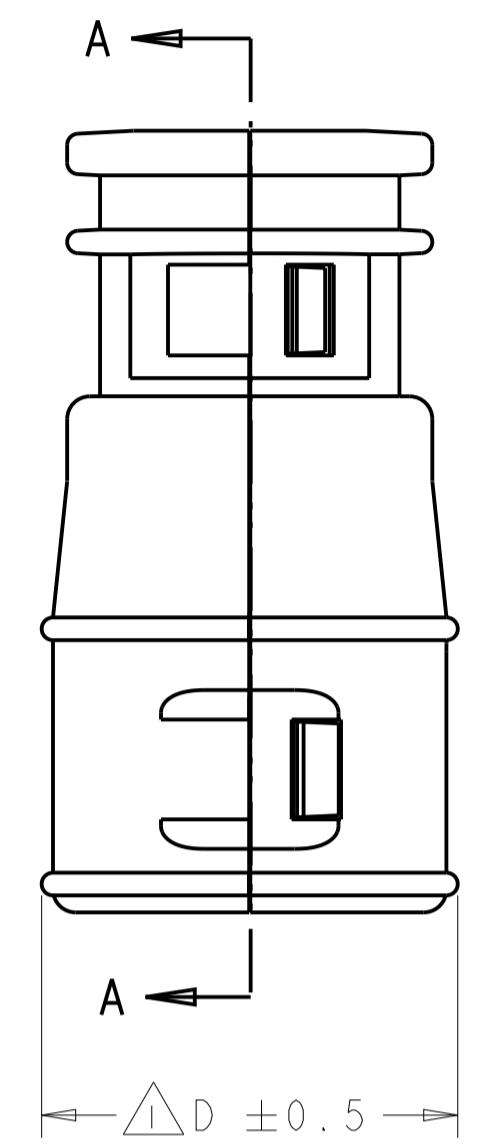
2035047-5



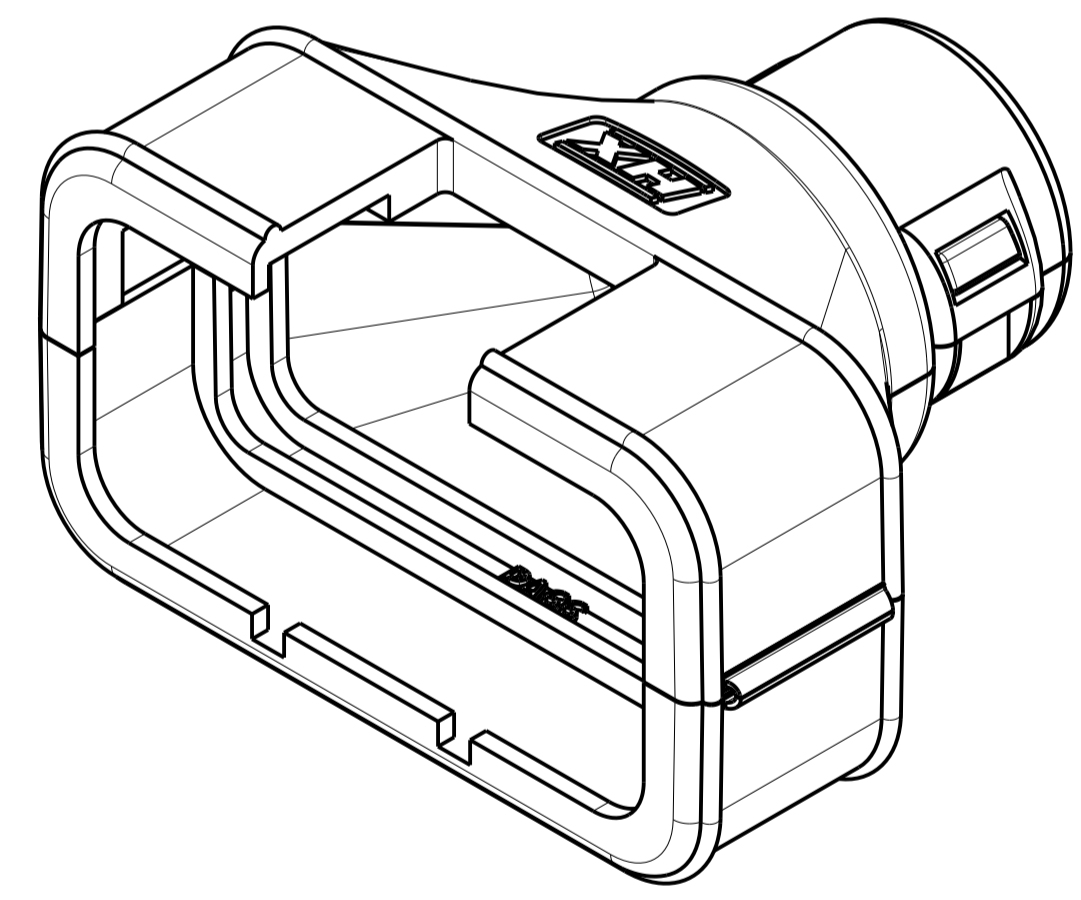
2035047-6



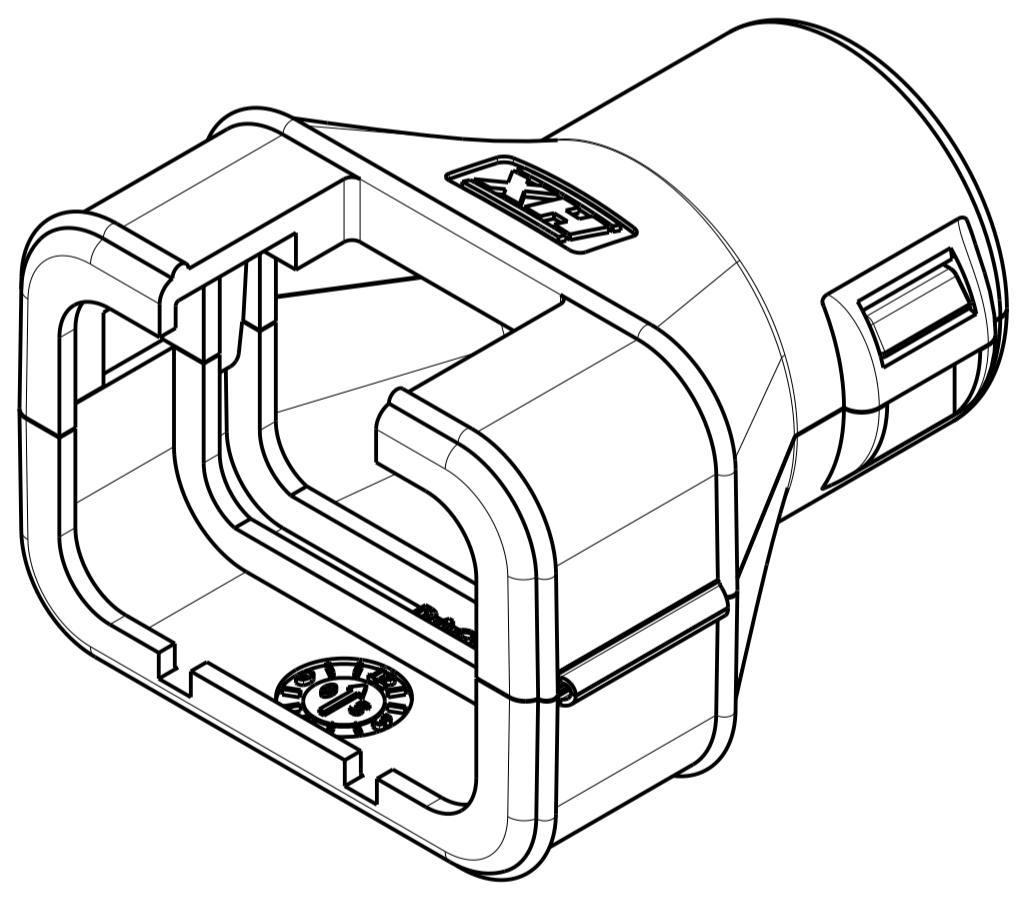
SECTION A-A



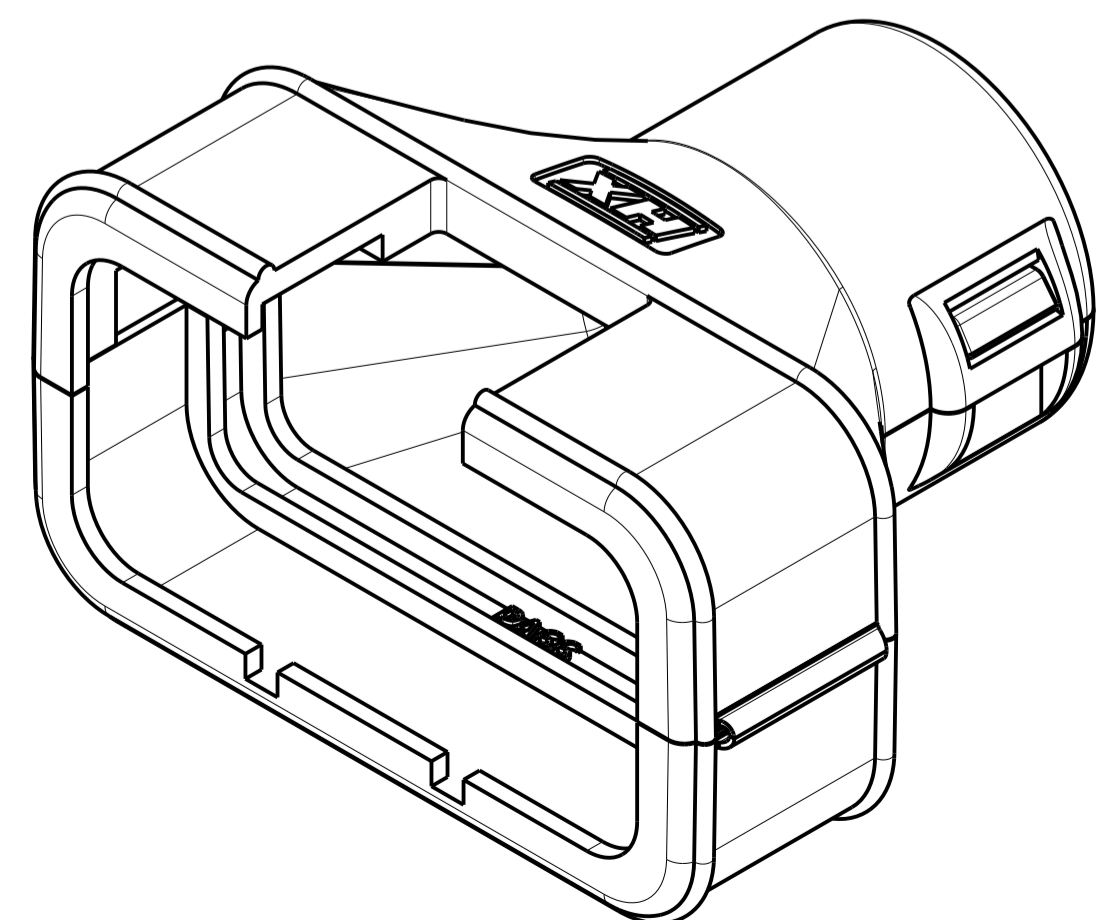
2035047-7



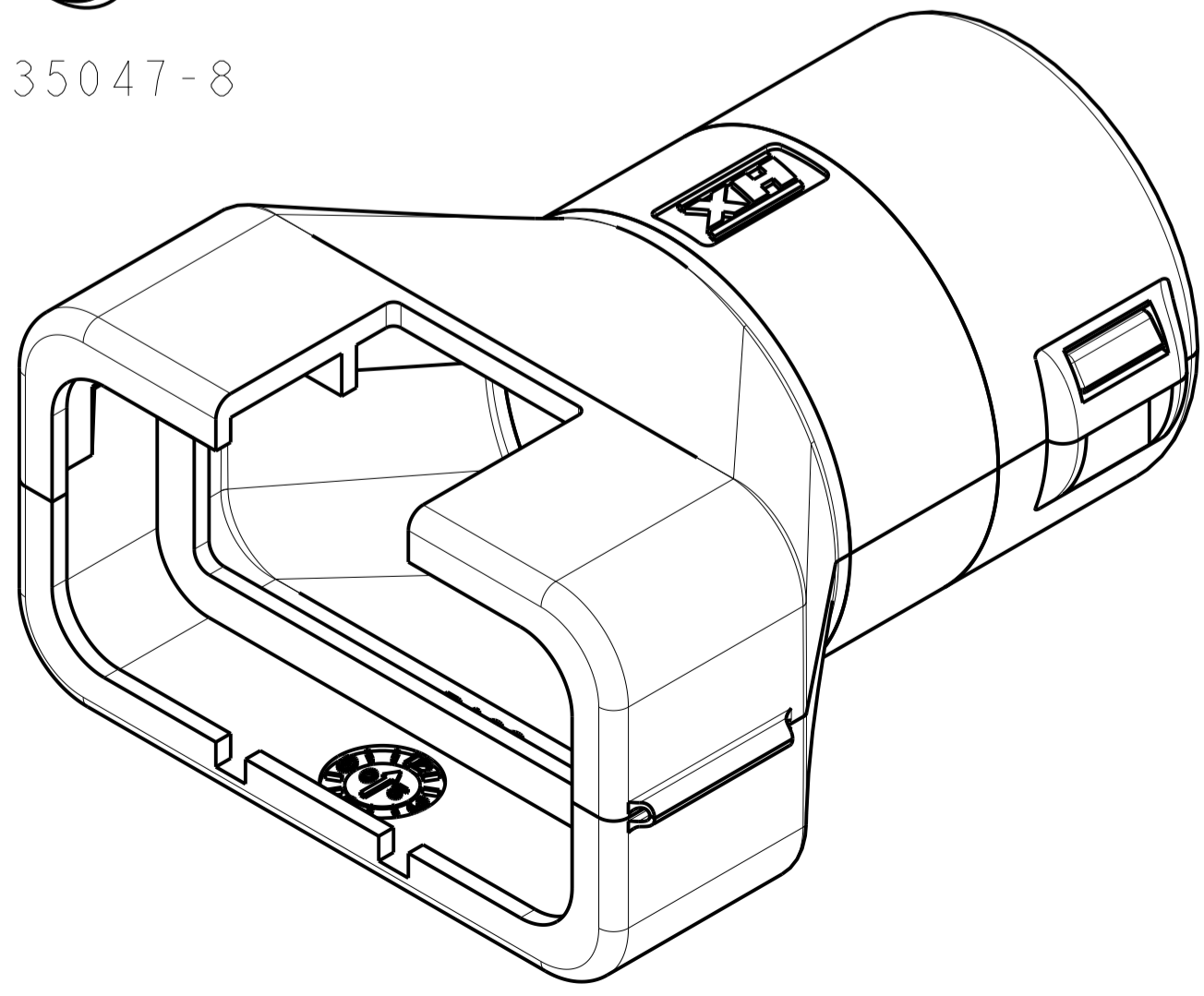
2035047-8



2035047-9



1-2035047-0



1-2035047-1

TE PART NUMBER	ASSY POSN	NOMINAL CONDUIT SIZE		NOMINAL DIMENSIONS			
		NC	NW	C	D	E	(K)
2035047-1	2	08	7.5	23.9	18.3	34.2	12.3
2035047-2	3	08	7.5	28.5	18.3	34.2	12.3
2035047-3	4	08	7.5	29.1	23.6	38.3	12.3
2035047-4	6	08	7.5	28.7	23.7	36.8	11.1
2035047-5	4	12	10	29.1	23.6	36.8	10.5
2035047-6	6	12	10	28.7	23.6	36.8	10.5
2035047-7	8	12	10	33.1	23.6	36.8	10.5
2035047-8	12	12	10	42.1	23.6	36.8	10.5
2035047-9	8	16	13	33.1	23.6	36.8	10.5
1-2035047-0	12	16	13	42.1	23.7	36.8	10.5
1-2035047-1	12	20	17	40.7	22.7	47.9	12.1

THIS DRAWING IS A CONTROLLED DOCUMENT. DWG: J. MARKEY 11APR2008
 CHK: J. MARKEY 11APR2008
 APVD: J. MARKEY 11APR2008

STE TE Connectivity

NAME: BACKSHELL, AMPSEAL 16, 0 DEGREE EXIT

PRODUCT SPEC: -
 APPLICATION SPEC: -
 SIZE: A1 00779 C=2035047
 SCALE: 3:1 SHEET 1 OF 1 REV: C1

MATERIAL: NYLON 6/6
 FINISH: -
 WEIGHT: -
 CUSTOMER DRAWING