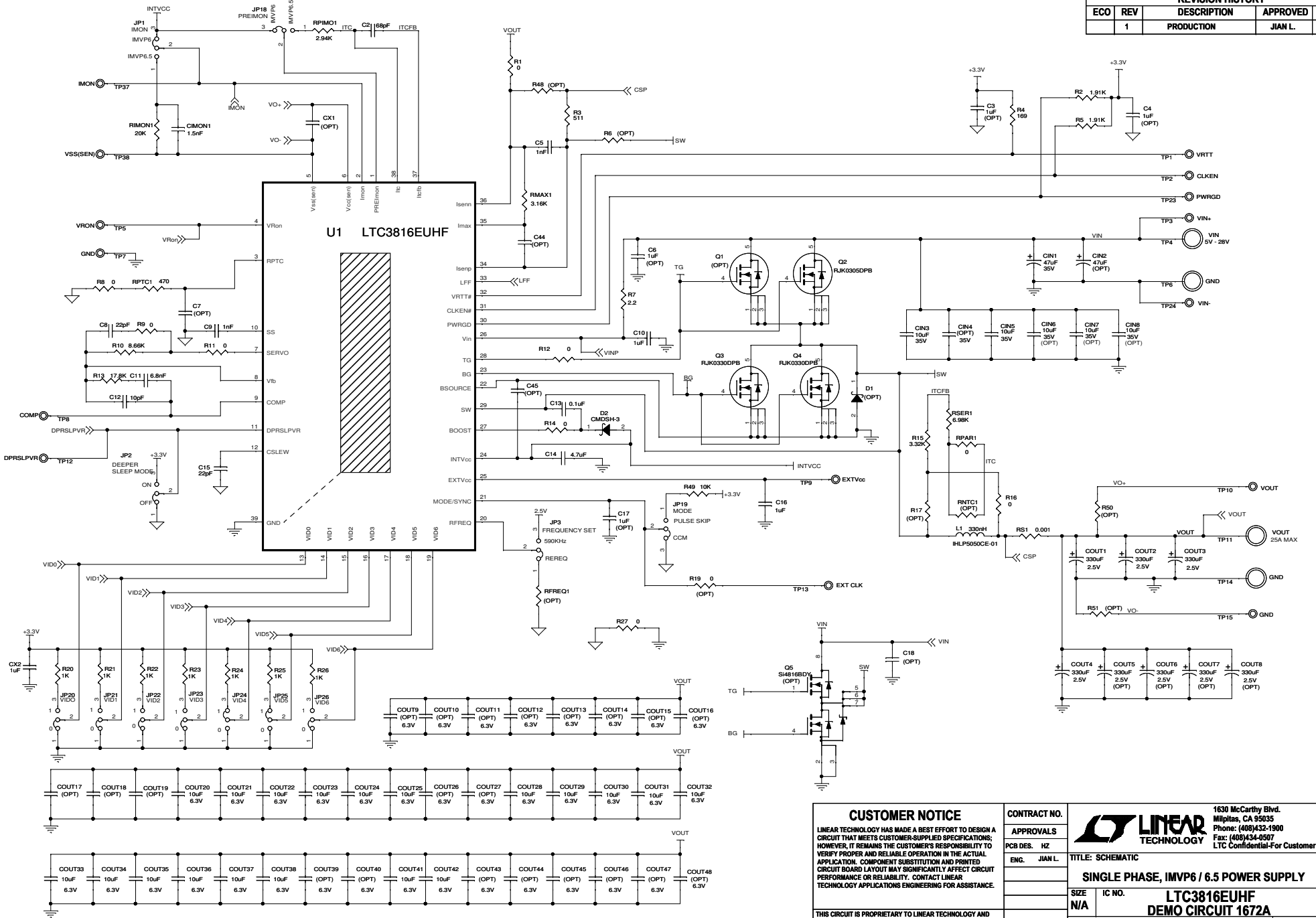


REVISION HISTORY				
ECO	REV	DESCRIPTION	APPROVED	DATE
	1	PRODUCTION	JIAN L.	3-3-10



**CUSTOMER NOTICE**  
 LINEAR TECHNOLOGY HAS MADE A BEST EFFORT TO DESIGN A CIRCUIT THAT MEETS CUSTOMER-SUPPLIED SPECIFICATIONS; HOWEVER, IT REMAINS THE CUSTOMER'S RESPONSIBILITY TO VERIFY PROPER AND RELIABLE OPERATION IN THE ACTUAL APPLICATION. COMPONENT SUBSTITUTION AND PRINTED CIRCUIT BOARD LAYOUT MAY SIGNIFICANTLY AFFECT CIRCUIT PERFORMANCE OR RELIABILITY. CONTACT LINEAR TECHNOLOGY APPLICATIONS ENGINEERING FOR ASSISTANCE.

THIS CIRCUIT IS PROPRIETARY TO LINEAR TECHNOLOGY AND SUPPLIED FOR USE WITH LINEAR TECHNOLOGY PARTS.

CONTRACT NO.  
 APPROVALS  
 PCB DES. HZ  
 ENG. JIAN L.

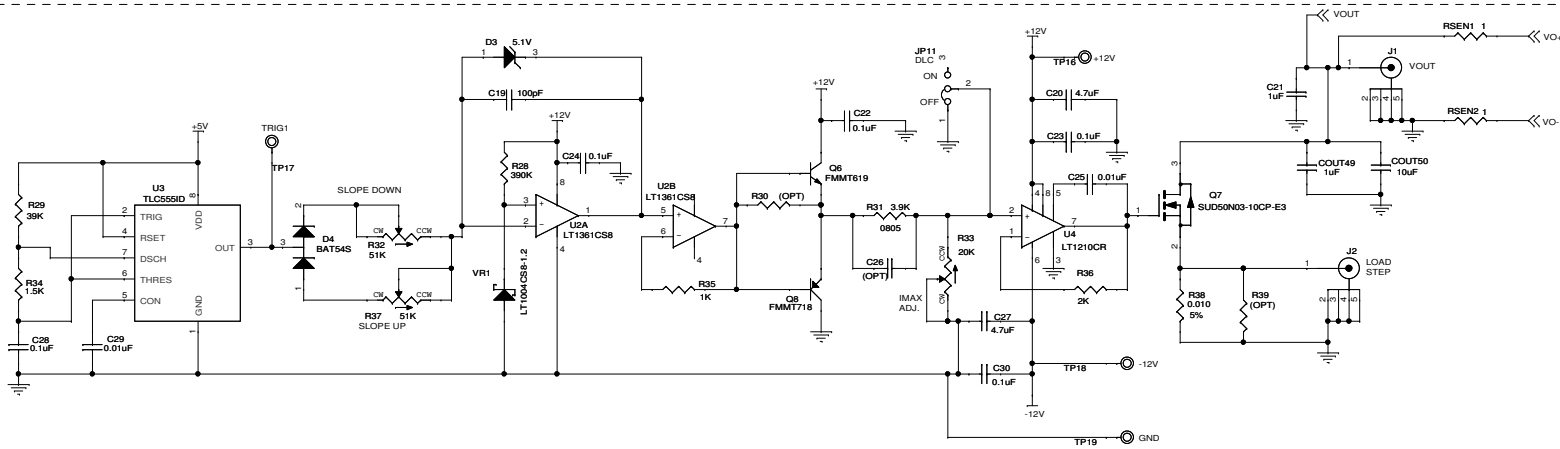
**LINEAR TECHNOLOGY**  
 1630 McCarthy Blvd.  
 Milpitas, CA 95035  
 Phone: (408)432-1900  
 Fax: (408)434-0507  
 LTC Confidential-For Customer Use Only

TITLE: SCHEMATIC

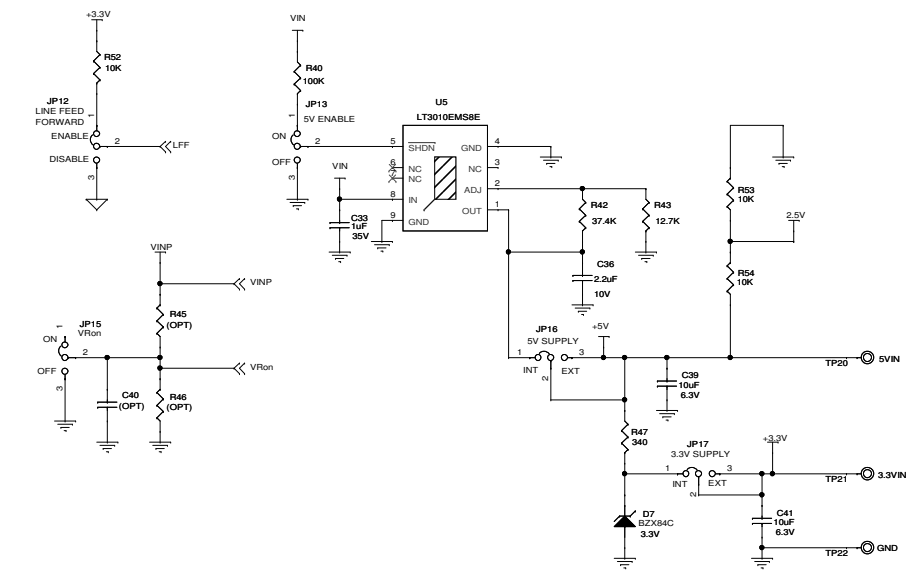
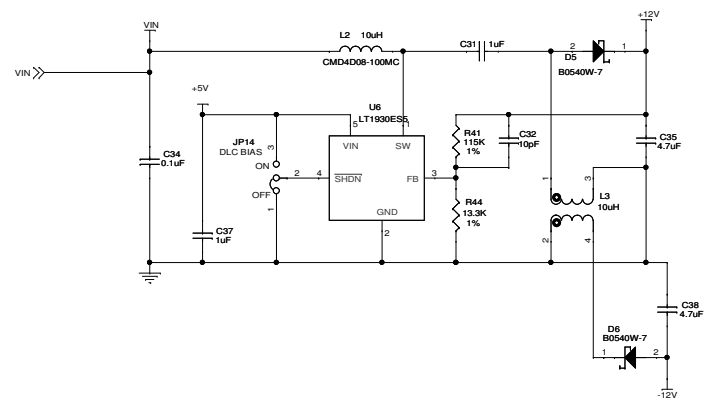
**SINGLE PHASE, IMVP6 / 6.5 POWER SUPPLY**

SIZE N/A IC NO. **LTC3816EUHF** REV 1  
**DEMO CIRCUIT 1672A**

DATE: Thursday, August 19, 2010 SHEET 1 OF 7



**DYNAMIC LOAD CIRCUIT**




<p><b>CUSTOMER NOTICE</b></p> <p>LINEAR TECHNOLOGY HAS MADE A BEST EFFORT TO DESIGN A CIRCUIT THAT MEETS CUSTOMER-SUPPLIED SPECIFICATIONS; HOWEVER, IT REMAINS THE CUSTOMER'S RESPONSIBILITY TO VERIFY PROPER AND RELIABLE OPERATION IN THE ACTUAL APPLICATION. COMPONENT SUBSTITUTION AND PRINTED CIRCUIT BOARD LAYOUT MAY SIGNIFICANTLY AFFECT CIRCUIT PERFORMANCE OR RELIABILITY. CONTACT LINEAR TECHNOLOGY APPLICATIONS ENGINEERING FOR ASSISTANCE.</p> <p>THIS CIRCUIT IS PROPRIETARY TO LINEAR TECHNOLOGY AND SUPPLIED FOR USE WITH LINEAR TECHNOLOGY PARTS.</p>	<p><b>CONTRACT NO.</b></p>	<p>1630 McCarthy Blvd. Milpitas, CA 95035 Phone: (408)432-1900 Fax: (408)434-0507 LTC Confidential-For Customer Use Only</p>	
	<p><b>APPROVALS</b></p>		<p><b>TITLE:</b> SCHEMATIC</p>
	<p><b>PCB DES.</b> HZ</p>		<p><b>SINGLE PHASE, IMVP6 / 6.5 POWER SUPPLY</b></p>
	<p><b>ENG.</b> JIAN L.</p>		<p><b>SIZE</b> N/A    <b>IC NO.</b> <b>LTC3816EUHF</b>    <b>REV</b> 1</p> <p><b>DATE:</b> Thursday, August 19, 2010    <b>SHEET</b> 2 OF 7</p>

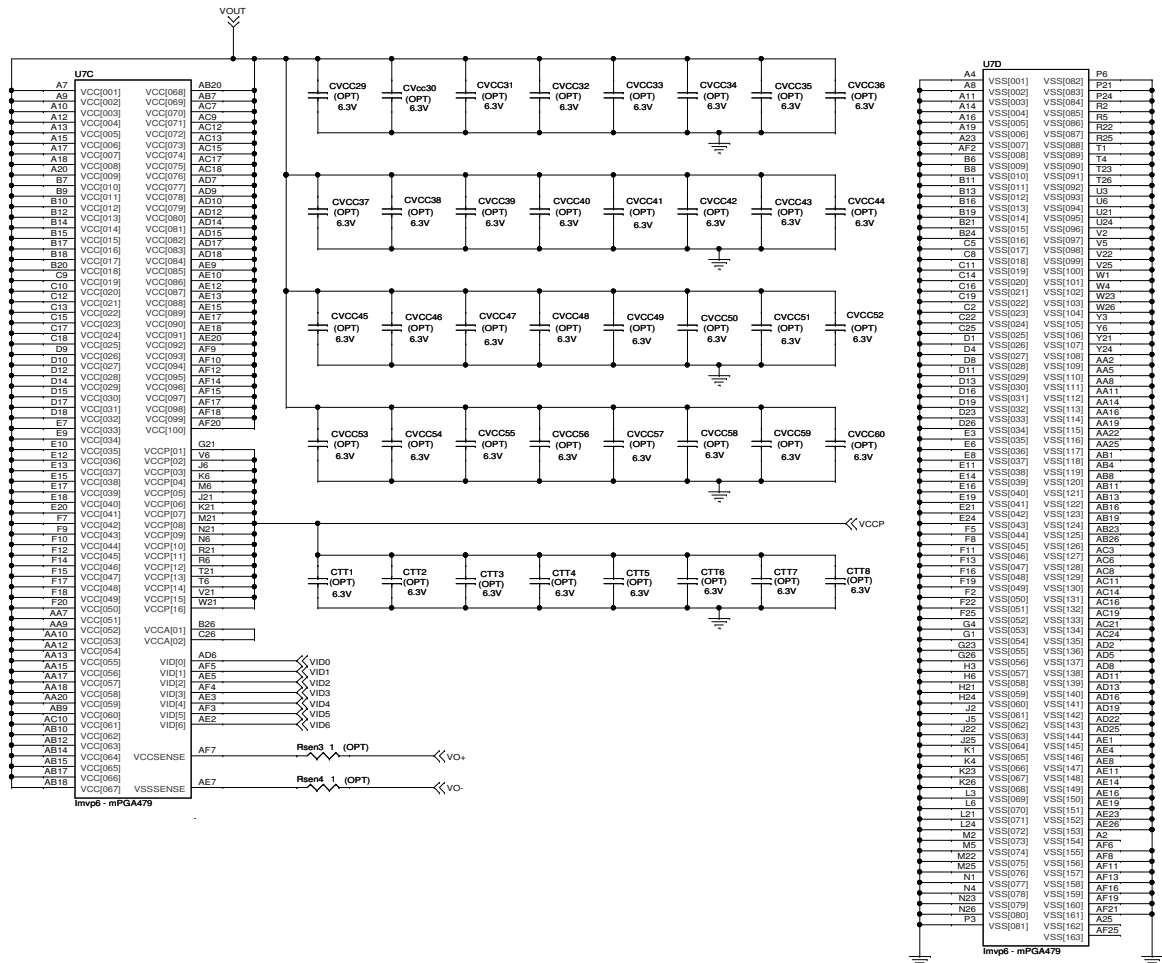
U7A			
J4	A03#	ADG#	H1
L5	A04#	BNR#	E2
K6	A05#	BPR#	G5
M0	A06#		
N0	A07#	DEFERR#	H5
N0	A08#	DRDY#	P21
N0	A09#	DBSY#	C1
P0	A10#		
P0	A11#	BROW#	F1
L0	A12#	ERR#	D20
P0	A13#	INT#	B3
P0	A14#		
R1	A15#		
A16#		LOCK#	H4
ADSTB[0]#			
		C1	
		RESET#	F3
K9	REQ0#	RSQ#	C3
H0	REQ1#	RS1#	G4
K0	REQ2#	RS2#	G5
J0	REQ3#	TRDY#	
L0	REQ4#		
		HIT#	G6
Y2	A17#	HITM#	E4
L0K	A18#		
UR	A19#	AD4	
W6	A20#	BPM0#	AD3
U0	A21#	BPM1#	AD1
Y0	A22#	BPM2#	AC4
UT	A23#	BPM3#	AC2
R0	A24#	PRDY#	ACT
R0	A25#	PREQ#	AC3
T0	A26#	TCK	AA6
W0	A27#	TDI	AB3
W0	A28#	TDO	AB5
W0	A29#	TMS	AB6
U0	A30#	TRST#	CB0
V0	A31#	DBR#	
W0	A32#		
XA	A33#		
AB	A34#		
AA	A35#		
ADSTB[1]#			
		PROCHOT#	D21
		THERMDO	A24
		THERMTRIP#	B25
A0	A20M#		
AS	FERR#		
C4	IGNNE#		
D5	STPCLK#		
B4	LINT0		
A3	LINT1		
A3	SMI#		
M4	RSVD[0]#		
N6	RSVD[02]		
T2	RSVD[03]		
V3	RSVD[04]		
B2	RSVD[05]		
C3	RSVD[06]		
D2	RSVD[07]		
D2	RSVD[08]		
B3	RSVD[09]		
F8	RSVD[10]		

Imp6 - mPGA479

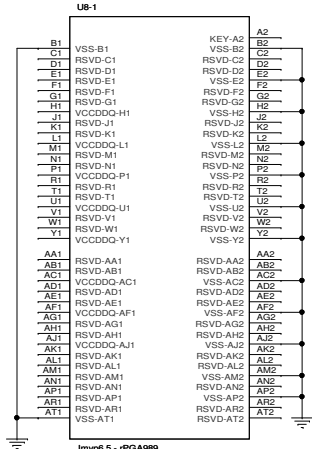
U7B			
E22	D09#		Y22
F20	D11#		AB24
E20	D12#		D13#
G0	D13#		Y26
F20	D14#		Y23
E20	D15#		D16#
E20	D16#		D17#
E20	D17#		D18#
G0	D18#		D19#
J0	D19#		D20#
H0	D11#		D43#
F0	D12#		D44#
F20	D13#		D45#
H0	D14#		D46#
J0	D15#		D47#
H0	DSTBN[0]#		DSTBN[2]#
H0	DSTBP[0]#		DSTBP[2]#
H0	DINV[0]#		DINV[2]#
N20	D16#		AE24
K05	D17#		AE23
P20	D18#		AA21
R20	D19#		AB22
L0	D20#		AE21
M0	D21#		AD20
L0	D22#		AE22
M0	D23#		AF23
P20	D24#		AE23
P20	D25#		AE21
P20	D26#		AD21
R0	D27#		AC22
L0	D28#		AC23
L0	D29#		D61#
L0	D30#		D62#
N0	D31#		D63#
L0	DSTBN[1]#		DSTBN[3]#
M0	DSTBP[1]#		DSTBP[3]#
N0	DINV[1]#		DINV[3]#
AD26	GTLREF	COMP[0]	R26
C23	TEST1	COMP[1]	U26
D26	TEST2	COMP[2]	Y1
C24	TEST3	COMP[3]	
AF26	TEST4		
AF1	TEST5		
A26	TEST6	DPWRSTP#	E5
		DPSSL#	E6
B22	BSEL[0]	DPWR#	D24
B23	BSEL[1]	PWRGOOD	D7
C21	BSEL[2]	PS#	AE6

Imp6 - mPGA479

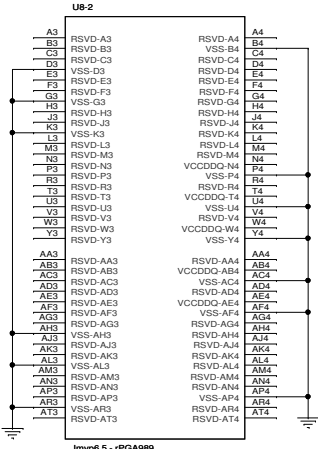
<p align="center"><b>CUSTOMER NOTICE</b></p> <p>LINEAR TECHNOLOGY HAS MADE A BEST EFFORT TO DESIGN A CIRCUIT THAT MEETS CUSTOMER-SUPPLIED SPECIFICATIONS; HOWEVER, IT REMAINS THE CUSTOMER'S RESPONSIBILITY TO VERIFY PROPER AND RELIABLE OPERATION IN THE ACTUAL APPLICATION. COMPONENT SUBSTITUTION AND PRINTED CIRCUIT BOARD LAYOUT MAY SIGNIFICANTLY AFFECT CIRCUIT PERFORMANCE OR RELIABILITY. CONTACT LINEAR TECHNOLOGY APPLICATIONS ENGINEERING FOR ASSISTANCE.</p>		CONTRACT NO.	 <p>1630 McCarthy Blvd. Milpitas, CA 95035 Phone: (408)432-1900 Fax: (408)434-0507 LTC Confidential-For Customer Use Only</p>		
		APPROVALS			
<p>THIS CIRCUIT IS PROPRIETARY TO LINEAR TECHNOLOGY AND SUPPLIED FOR USE WITH LINEAR TECHNOLOGY PARTS.</p>		PCB DES. HZ	<p><b>TITLE: SCHEMATIC</b></p> <p align="center"><b>SINGLE PHASE, IMPV6 / 6.5 POWER SUPPLY</b></p>		
		ENG. JIAN L.	<p>SIZE <b>N/A</b></p>	<p>IC NO. <b>LTC3816EUHF</b></p> <p align="center"><b>DEMO CIRCUIT 1672A</b></p>	<p>REV <b>1</b></p>
			<p>DATE: <b>Thursday, August 19, 2010</b></p>	<p align="right">SHEET <b>3</b> OF <b>7</b></p>	



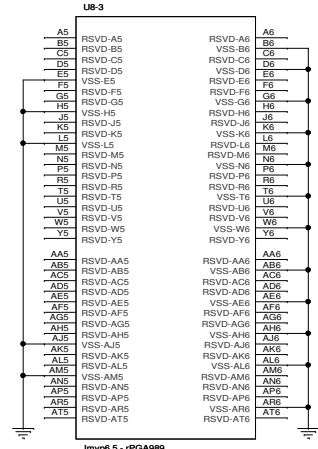
<p><b>CUSTOMER NOTICE</b></p> <p>LINEAR TECHNOLOGY HAS MADE A BEST EFFORT TO DESIGN A CIRCUIT THAT MEETS CUSTOMER-SUPPLIED SPECIFICATIONS; HOWEVER, IT REMAINS THE CUSTOMER'S RESPONSIBILITY TO VERIFY PROPER AND RELIABLE OPERATION IN THE ACTUAL APPLICATION. COMPONENT SUBSTITUTION AND PRINTED CIRCUIT BOARD LAYOUT MAY SIGNIFICANTLY AFFECT CIRCUIT PERFORMANCE OR RELIABILITY. CONTACT LINEAR TECHNOLOGY APPLICATIONS ENGINEERING FOR ASSISTANCE.</p> <p>THIS CIRCUIT IS PROPRIETARY TO LINEAR TECHNOLOGY AND SUPPLIED FOR USE WITH LINEAR TECHNOLOGY PARTS.</p>	<p>CONTRACT NO.</p>	<p>1630 McCarthy Blvd. Milpitas, CA 95035 Phone: (408)432-1900 Fax: (408)434-0507 LTC Confidential-For Customer Use Only</p>	
	<p>APPROVALS</p>		
	<p>PCB DES. HZ</p>		
	<p>ENG. JIAN L.</p>		
<p>TITLE: SCHEMATIC</p>		<p><b>SINGLE PHASE, IMP6 / 6.5 POWER SUPPLY</b></p>	
<p>SIZE</p>	<p>IC NO.</p>		<p>REV</p>
<p>N/A</p>	<p><b>LTC3816EUHF</b></p>		<p>1</p>
<p>DATE: Thursday, August 19, 2010</p>			<p>SHEET 4 OF 7</p>



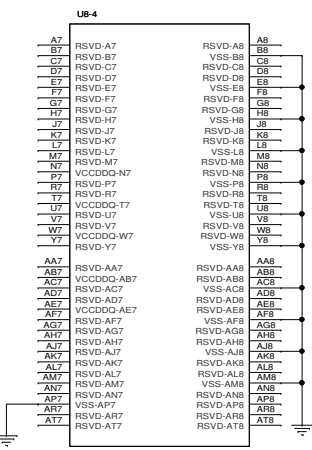
Imp6.5 - rPGA989



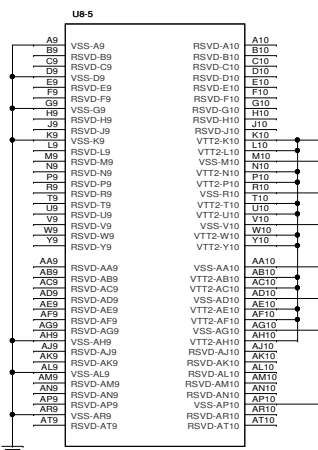
Imp6.5 - rPGA989



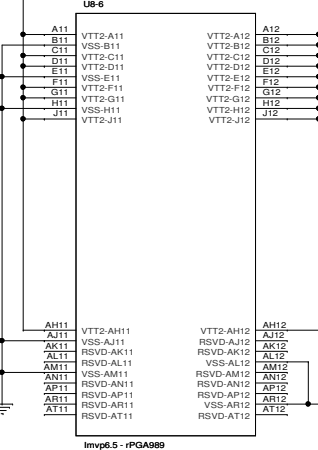
Imp6.5 - rPGA989



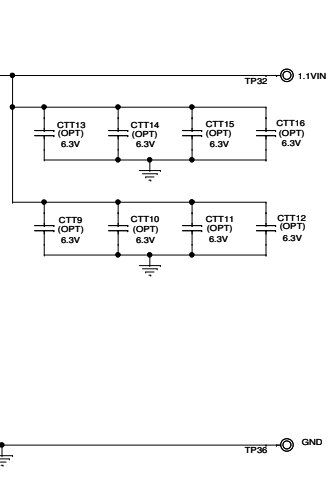
Imp6.5 - rPGA989



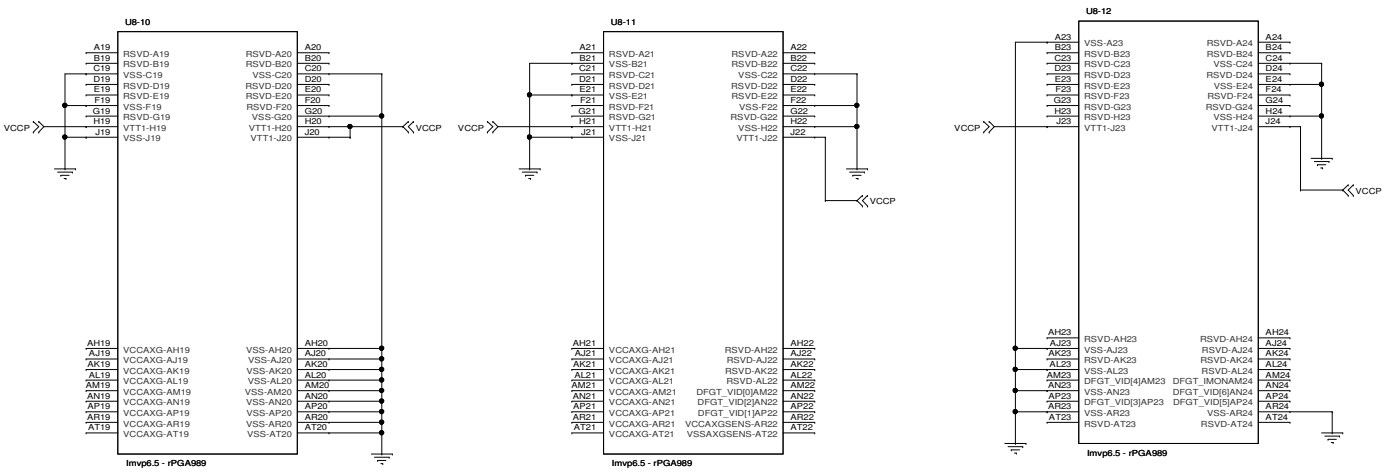
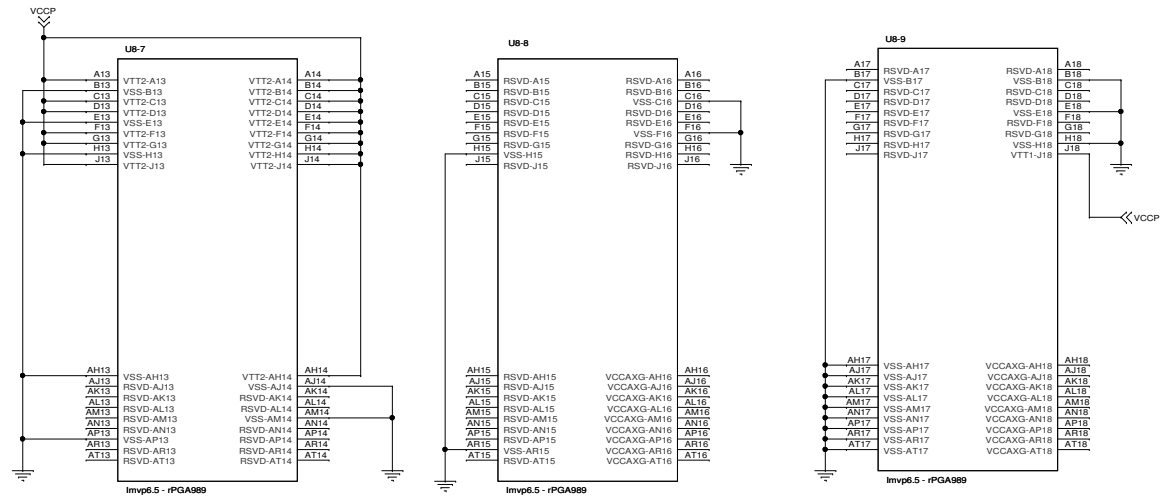
Imp6.5 - rPGA989



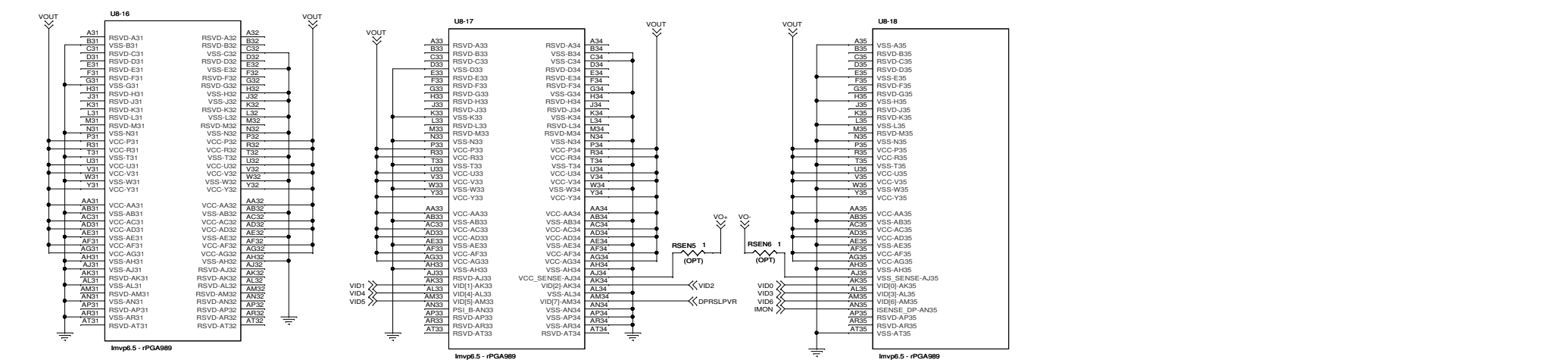
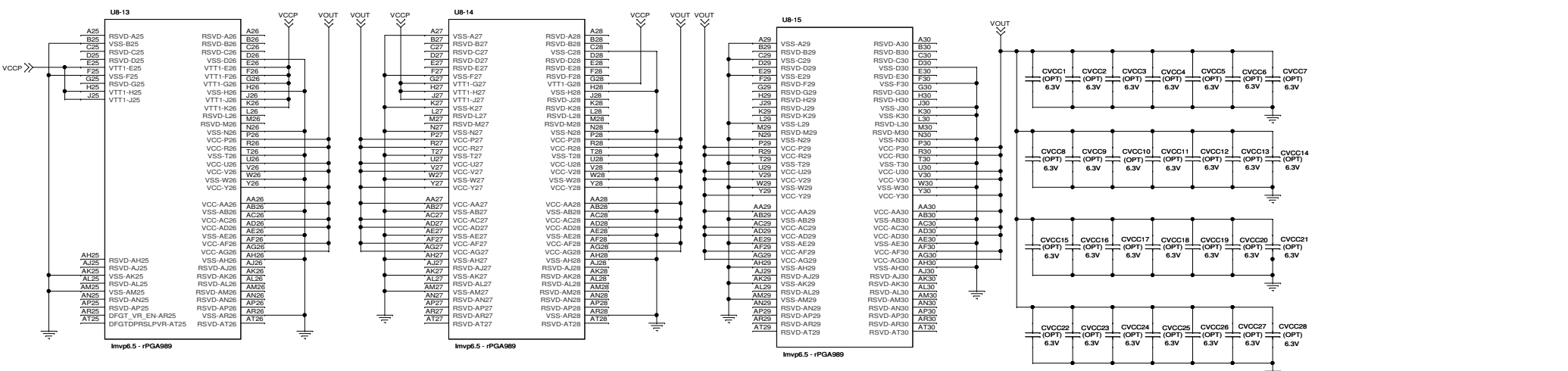
Imp6.5 - rPGA989




<p><b>CUSTOMER NOTICE</b></p> <p>LINEAR TECHNOLOGY HAS MADE A BEST EFFORT TO DESIGN A CIRCUIT THAT MEETS CUSTOMER-SUPPLIED SPECIFICATIONS; HOWEVER, IT REMAINS THE CUSTOMER'S RESPONSIBILITY TO VERIFY PROPER AND RELIABLE OPERATION IN THE ACTUAL APPLICATION. COMPONENT SUBSTITUTION AND PRINTED CIRCUIT BOARD LAYOUT MAY SIGNIFICANTLY AFFECT CIRCUIT PERFORMANCE OR RELIABILITY. CONTACT LINEAR TECHNOLOGY APPLICATIONS ENGINEERING FOR ASSISTANCE.</p> <p>THIS CIRCUIT IS PROPRIETARY TO LINEAR TECHNOLOGY AND SUPPLIED FOR USE WITH LINEAR TECHNOLOGY PARTS.</p>		<p>CONTRACT NO.</p> <p>APPROVALS</p> <p>PCB DES. HZ</p> <p>ENG. JIAN L.</p>	<p>1630 McCarthy Blvd. Milpitas, CA 95035 Phone: (408)432-1900 Fax: (408)434-0507 LTC Confidential-For Customer Use Only</p>
		<p>TITLE: SCHEMATIC</p> <p><b>SINGLE PHASE, IMPV6 / 6.5 POWER SUPPLY</b></p> <p>SIZE N/A IC NO. <b>LTC3816UHF</b></p> <p><b>DEMO CIRCUIT 1672A</b></p> <p>DATE: Thursday, August 19, 2010</p>	



<p><b>CUSTOMER NOTICE</b></p> <p>LINEAR TECHNOLOGY HAS MADE A BEST EFFORT TO DESIGN A CIRCUIT THAT MEETS CUSTOMER-SUPPLIED SPECIFICATIONS; HOWEVER, IT REMAINS THE CUSTOMER'S RESPONSIBILITY TO VERIFY PROPER AND RELIABLE OPERATION IN THE ACTUAL APPLICATION. COMPONENT SUBSTITUTION AND PRINTED CIRCUIT BOARD LAYOUT MAY SIGNIFICANTLY AFFECT CIRCUIT PERFORMANCE OR RELIABILITY. CONTACT LINEAR TECHNOLOGY APPLICATIONS ENGINEERING FOR ASSISTANCE.</p> <p>THIS CIRCUIT IS PROPRIETARY TO LINEAR TECHNOLOGY AND SUPPLIED FOR USE WITH LINEAR TECHNOLOGY PARTS.</p>	<p>CONTRACT NO.</p>		<p>1630 McCarthy Blvd. Milpitas, CA 95035 Phone: (408)432-1900 Fax: (408)434-0507 LTC Confidential-For Customer Use Only</p>		
	<p>APPROVALS</p>		<p>TITLE: SCHEMATIC</p>		
	<p>PCB DES. HZ</p>	<p>ENG. JIAN L.</p>	<p><b>SINGLE PHASE, IMPV6 / 6.5 POWER SUPPLY</b></p>		
	<p>SIZE</p>	<p>IC NO.</p>	<p><b>LTC3816EUHF</b></p>		<p>REV</p>
	<p>DATE: Thursday, August 19, 2010</p>	<p>SHEET 6 OF 7</p>	<p><b>DEMO CIRCUIT 1672A</b></p>		<p>1</p>



<b>CUSTOMER NOTICE</b>		<b>CONTRACT NO.</b>		1630 McCarthy Blvd. Milpitas, CA 95035 Phone: (408)432-1900 Fax: (408)434-0507 LTC Confidential-For Customer Use Only	
LINEAR TECHNOLOGY HAS MADE A BEST EFFORT TO DESIGN A CIRCUIT THAT MEETS CUSTOMER-SUPPLIED SPECIFICATIONS; HOWEVER, IT REMAINS THE CUSTOMER'S RESPONSIBILITY TO VERIFY PROPER AND RELIABLE OPERATION IN THE ACTUAL APPLICATION. COMPONENT SUBSTITUTION AND PRINTED CIRCUIT BOARD LAYOUT MAY SIGNIFICANTLY AFFECT CIRCUIT PERFORMANCE OR RELIABILITY. CONTACT LINEAR TECHNOLOGY APPLICATIONS ENGINEERING FOR ASSISTANCE.		<b>APPROVALS</b>		<b>TITLE: SCHEMATIC</b>	<b>SINGLE PHASE, IMPV6 / 6.5 POWER SUPPLY</b>
		<b>PCB DES. HZ</b>	<b>ENG. JIAN L.</b>		
				<b>SIZE</b>	<b>IC NO.</b>
				<b>N/A</b>	<b>LTC3816EUHF</b>
				<b>DEMO CIRCUIT 1672A</b>	
				<b>DATE:</b>	<b>REV</b>
				<b>Thursday, August 19, 2010</b>	<b>1</b>
<b>THIS CIRCUIT IS PROPRIETARY TO LINEAR TECHNOLOGY AND SUPPLIED FOR USE WITH LINEAR TECHNOLOGY PARTS.</b>				<b>SHEET</b>	<b>7 OF 7</b>