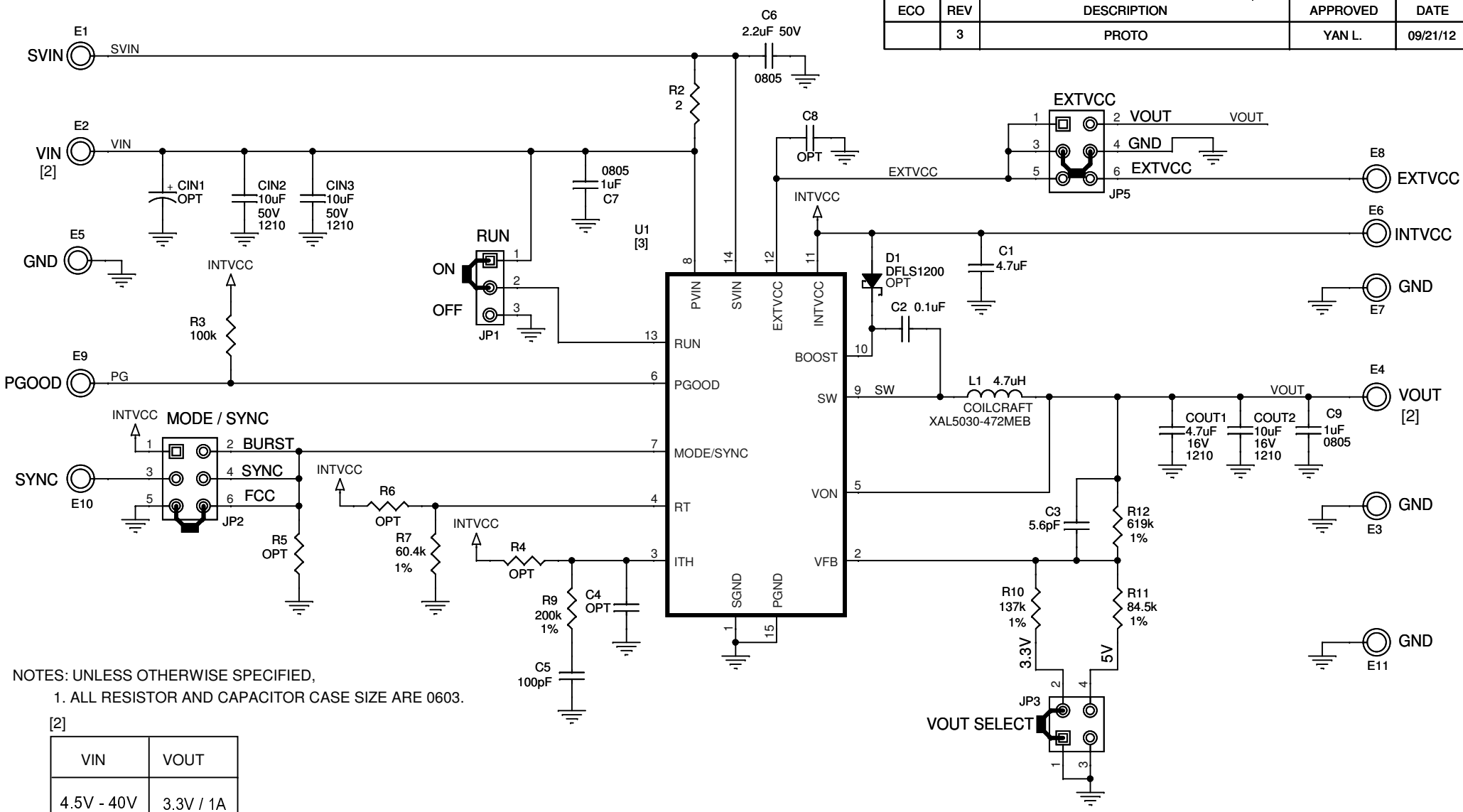


REVISION HISTORY				
ECO	REV	DESCRIPTION	APPROVED	DATE
	3	PROTO	YAN L.	09/21/12



NOTES: UNLESS OTHERWISE SPECIFIED,
 1. ALL RESISTOR AND CAPACITOR CASE SIZE ARE 0603.

[2]

VIN	VOUT
4.5V - 40V	3.3V / 1A
7V - 40V	5V / 1A

[3]

VERSION	IC
-A	LTC3646EDE
-B	LTC3646EDE-1

CUSTOMER NOTICE

LINEAR TECHNOLOGY HAS MADE A BEST EFFORT TO DESIGN A CIRCUIT THAT MEETS CUSTOMER-SUPPLIED SPECIFICATIONS; HOWEVER, IT REMAINS THE CUSTOMER'S RESPONSIBILITY TO VERIFY PROPER AND RELIABLE OPERATION IN THE ACTUAL APPLICATION. COMPONENT SUBSTITUTION AND PRINTED CIRCUIT BOARD LAYOUT MAY SIGNIFICANTLY AFFECT CIRCUIT PERFORMANCE OR RELIABILITY. CONTACT LINEAR TECHNOLOGY APPLICATIONS ENGINEERING FOR ASSISTANCE.

THIS CIRCUIT IS PROPRIETARY TO LINEAR TECHNOLOGY AND SUPPLIED FOR USE WITH LINEAR TECHNOLOGY PARTS.

APPROVALS

PCB DES.	MI
APP ENG.	YAN L.

SCALE = NONE



1630 McCarthy Blvd.
 Milpitas, CA 95035
 Phone: (408)432-1900 www.linear.com
 Fax: (408)434-0507
 LTC Confidential-For Customer Use Only

TITLE: SCHEMATIC
HIGH EFFICIENCY LOW QUIESCENT CURRENT STEP-DOWN CONVERTER

SIZE	IC NO	REV.
N/A	LTC3646EDE / LTC3646EDE-1	3
DATE: 10/04/12 10:19:29		SHEET 1 OF 1