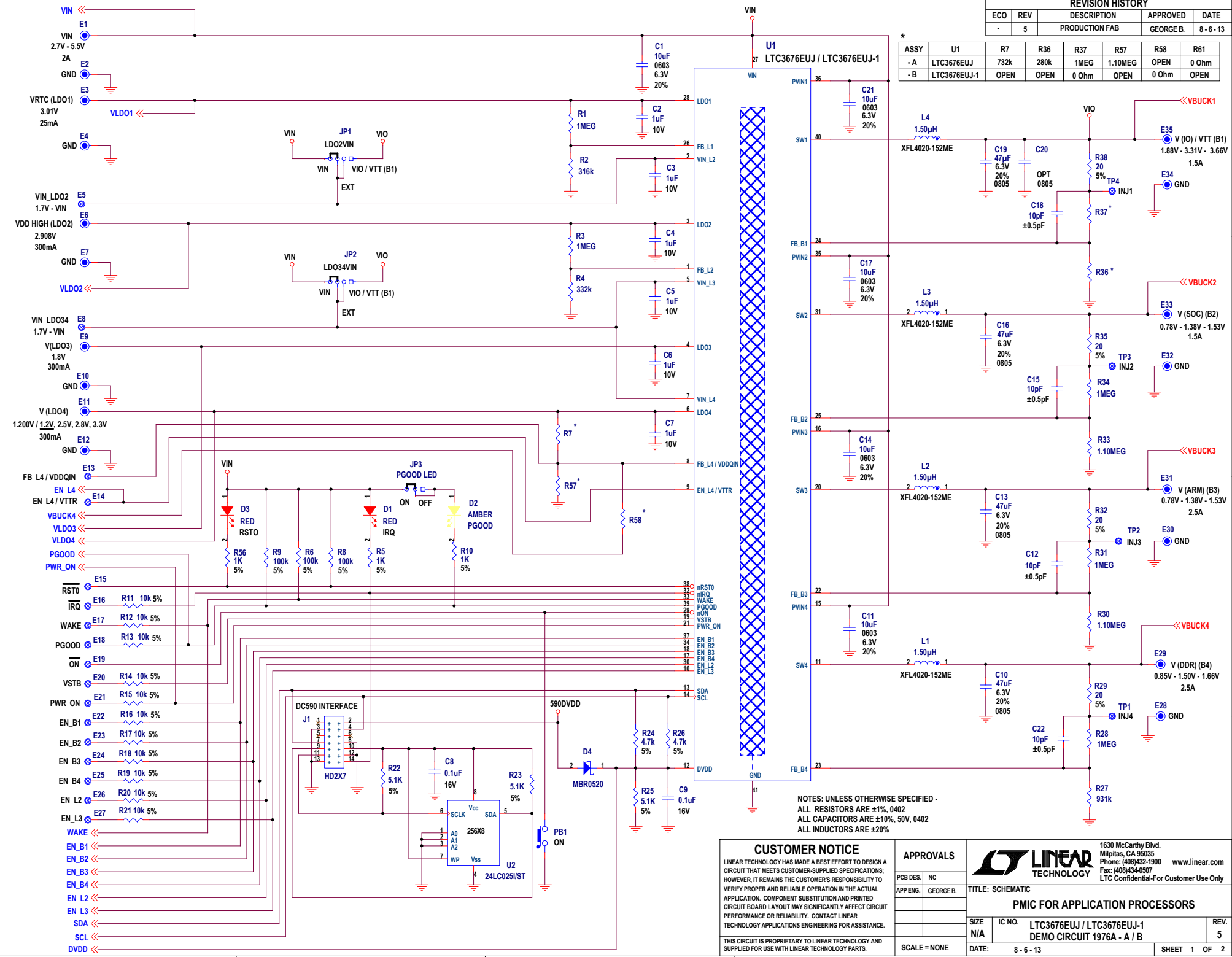


REVISION HISTORY						
ECO	REV	DESCRIPTION	APPROVED	DATE		
-	5	PRODUCTION FAB	GEORGE B.	8-6-13		

ASSY	U1	R7	R36	R37	R57	R58	R61
- A	LTC3676EUJ	732k	280k	1MEG	1.10MEG	OPEN	0 Ohm
- B	LTC3676EUJ-1	OPEN	OPEN	0 Ohm	OPEN	0 Ohm	OPEN



NOTES: UNLESS OTHERWISE SPECIFIED -
 ALL RESISTORS ARE ±1%, 0402
 ALL CAPACITORS ARE ±10%, 50V, 0402
 ALL INDUCTORS ARE ±20%

CUSTOMER NOTICE
 LINEAR TECHNOLOGY HAS MADE A BEST EFFORT TO DESIGN A CIRCUIT THAT MEETS CUSTOMER-SUPPLIED SPECIFICATIONS; HOWEVER, IT REMAINS THE CUSTOMER'S RESPONSIBILITY TO VERIFY PROPER AND RELIABLE OPERATION IN THE ACTUAL APPLICATION. COMPONENT SUBSTITUTION AND PRINTED CIRCUIT BOARD LAYOUT MAY SIGNIFICANTLY AFFECT CIRCUIT PERFORMANCE OR RELIABILITY. CONTACT LINEAR TECHNOLOGY APPLICATIONS ENGINEERING FOR ASSISTANCE.
 THIS CIRCUIT IS PROPRIETARY TO LINEAR TECHNOLOGY AND SUPPLIED FOR USE WITH LINEAR TECHNOLOGY PARTS.

APPROVALS	
PCB DES.	NC
APP ENG.	GEORGE B.

LINEAR TECHNOLOGY
 1630 McCarthy Blvd.
 Milpitas, CA 95035
 Phone: (408)432-1900 www.linear.com
 Fax: (408)434-0507
 LTC Confidential-For Customer Use Only

TITLE: SCHEMATIC

PMIC FOR APPLICATION PROCESSORS

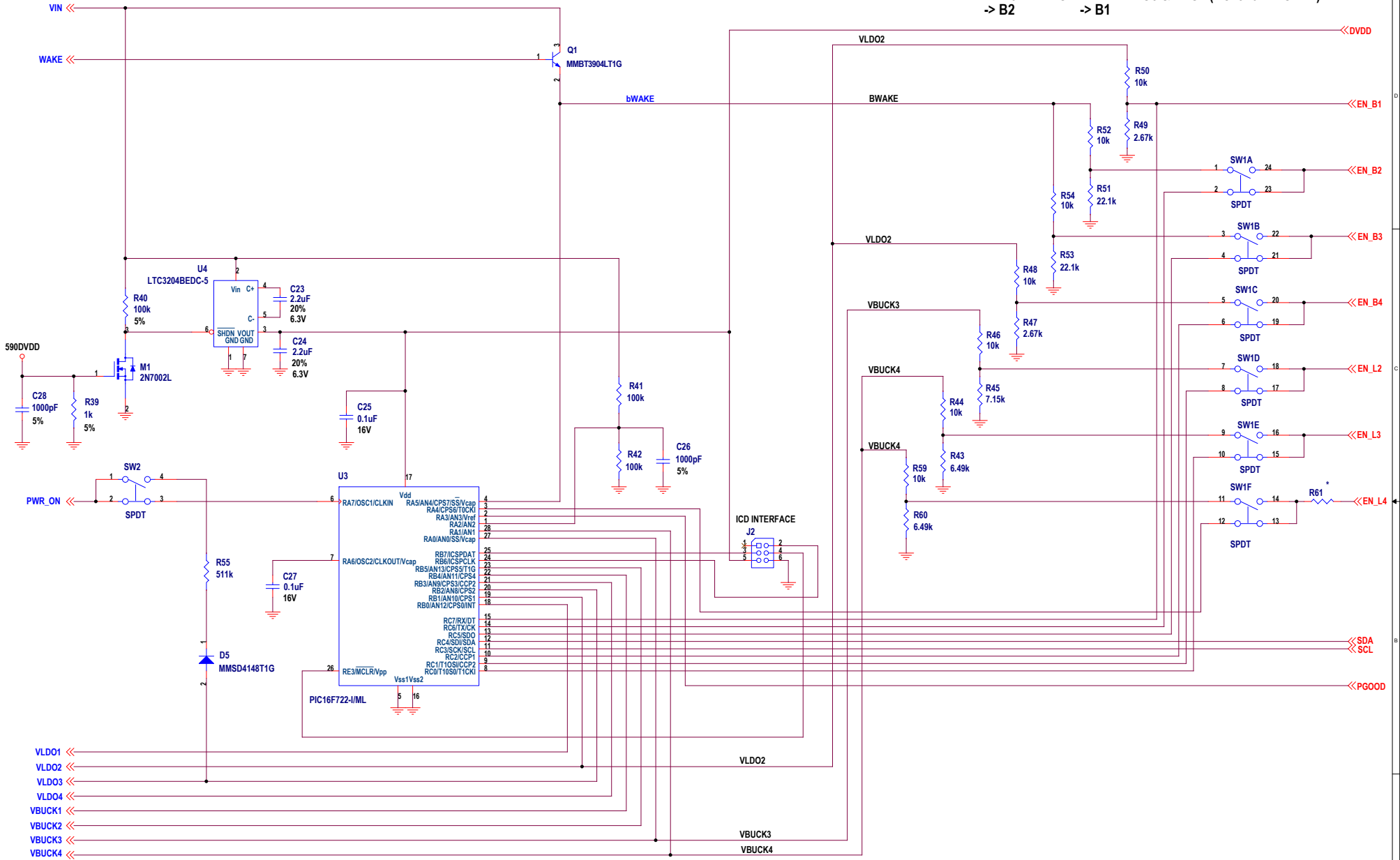
SIZE	IC NO.	REV.
N/A	LTC3676EUJ / LTC3676EUJ-1	5
DATE:	8 - 6 - 13	

SCALE = NONE

SHEET 1 OF 2

POWER UP SEQUENCE

WAKE -> B3 -> LDO2 -> B4 -> LDO3 & LDO4 (DC1976A-A ONLY)
-> B2 -> B1



NOTES: UNLESS OTHERWISE SPECIFIED -
ALL RESISTORS ARE ±1%, 0402
ALL CAPACITORS ARE ±10%, 50V, 0402

CUSTOMER NOTICE		APPROVALS		LINEAR TECHNOLOGY	
LINEAR TECHNOLOGY HAS MADE A BEST EFFORT TO DESIGN A CIRCUIT THAT MEETS CUSTOMER-SUPPLIED SPECIFICATIONS; HOWEVER, IT REMAINS THE CUSTOMER'S RESPONSIBILITY TO VERIFY PROPER AND RELIABLE OPERATION IN THE ACTUAL APPLICATION. COMPONENT SUBSTITUTION AND PRINTED CIRCUIT BOARD LAYOUT MAY SIGNIFICANTLY AFFECT CIRCUIT PERFORMANCE OR RELIABILITY. CONTACT LINEAR TECHNOLOGY APPLICATIONS ENGINEERING FOR ASSISTANCE.		PCB DES.	NC	1630 McCarthy Blvd. Milpitas, CA 95035 Phone: (408)432-1900 www.linear.com Fax: (408)434-0507 LTC Confidential-For Customer Use Only	
THIS CIRCUIT IS PROPRIETARY TO LINEAR TECHNOLOGY AND SUPPLIED FOR USE WITH LINEAR TECHNOLOGY PARTS.		APP ENG.	GEORGE B.	TITLE: SCHEMATIC	
				PMIC FOR APPLICATION PROCESSORS	
		SIZE	N/A	IC NO.	LTC3676EUJ / LTC3676EUJ-1
		DATE	8 - 6 - 13	DEMO CIRCUIT 1976A - A / B	
		SCALE = NONE		REV.	5
				SHEET 2 OF 2	