


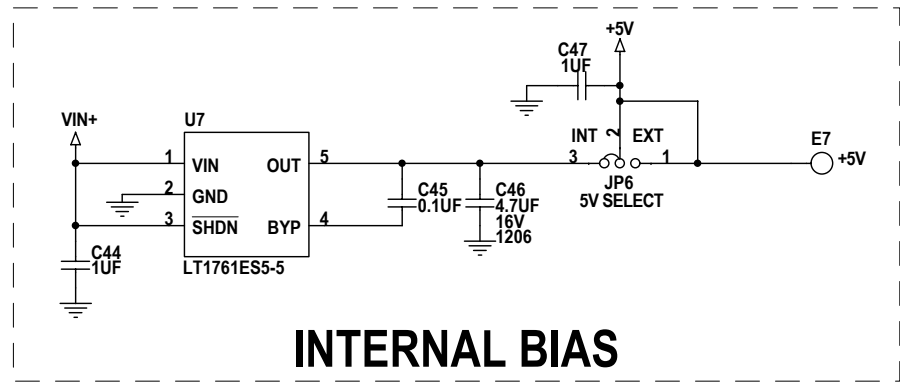
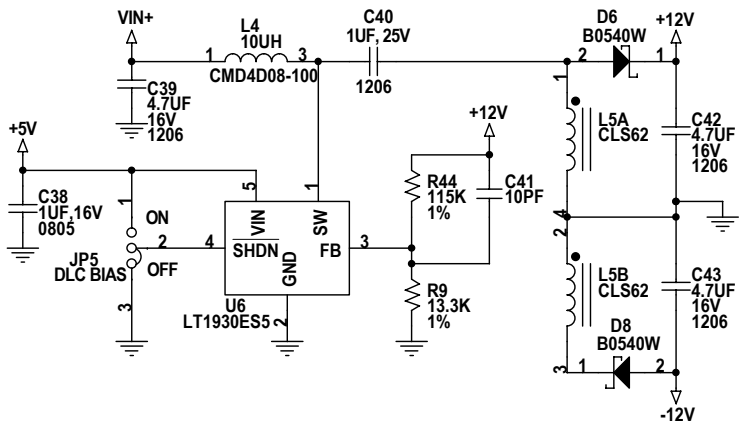
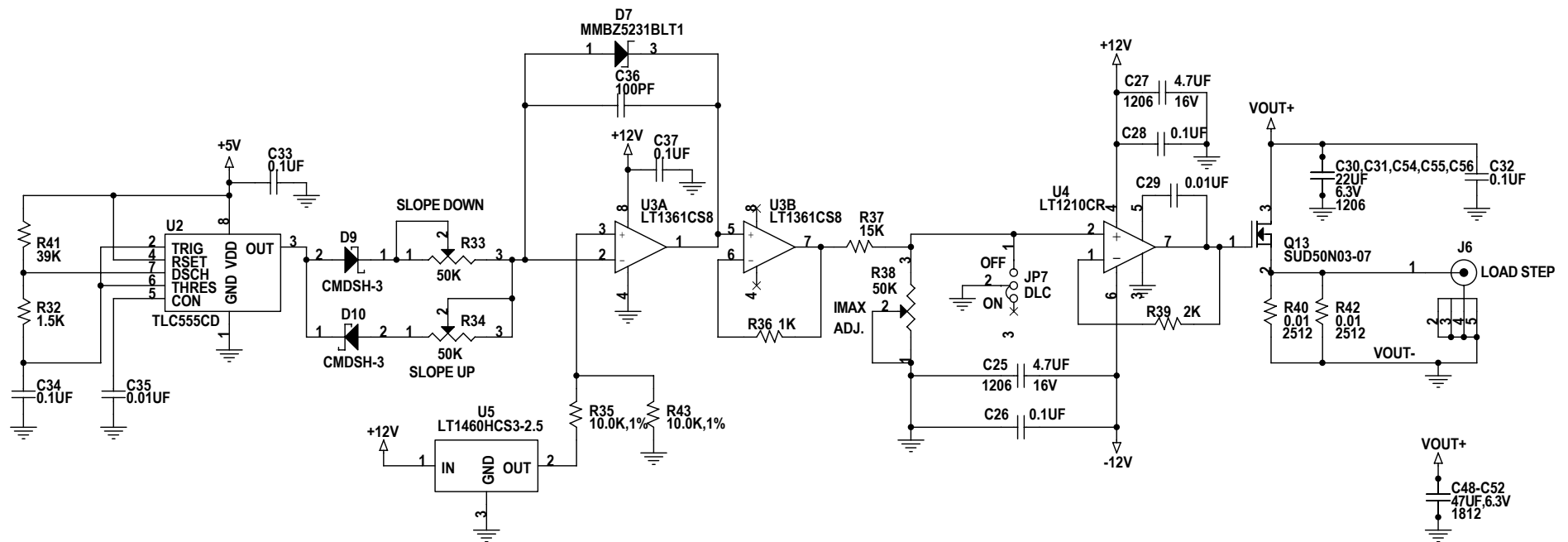
Q1, Q6, Q10 ARE Si7860DP.
 Q2, Q5, Q9 ARE OPTIONAL.
 Q3, Q4, Q7, Q8, Q11, Q12 ARE Si7892DP.
 (SO8-POWERPAK)

NOTES: UNLESS OTHERWISE SPECIFIED

- ALL RESISTORS ARE IN OHMS, 0603.
 ALL CAPACITORS ARE IN MICROFARADS, 0603.
 ALL INDUCTORS ARE IN MICROHENRIES.
- INSTALL SHUNTS FOR JP1-JP7 PIN 2 AND 3.

CONTRACT NO.			1630 McCarthy Blvd. Milpitas, CA 95035 Phone: (408)432-1900 Fax: (408)434-0507 LTC Confidential-For Customer Use Only	
APPROVALS			TITLE:	3-PHASE HIGH EFFICIENCY 60A POWER SUPPLY
DRAWN: KIM T.	DESIGNER:	SIZE	DWG NO.	REV
CHECKED:	APPROVED:	A	DC438A-3 * LTC3731CG	A
ENGINEER: WEI C.	DATE: Thursday, April 17, 2003	SHEET 1 OF 2		

DYNAMIC LOAD CIRCUIT



INTERNAL BIAS

CONTRACT NO.	 LINEAR TECHNOLOGY		1630 McCarthy Blvd. Milpitas, CA 95035 Phone: (408)432-1900 Fax: (408)434-0507 LTC Confidential-For Customer Use Only	
APPROVALS			TITLE:	3-PHASE HIGH EFFICIENCY 60A POWER SUPPLY
DRAWN: KIM T.	CHECKED:	SIZE	DWG NO.	REV
APPROVED:	ENGINEER: WEI C.	A	DC438A-3 * LTC3731CG	A
DESIGNER:	DATE: Thursday, April 17, 2003	SHEET 2 OF 2		